

Ceramic Disc Capacitors

Temperature Compensating Series (Class I 50V ~ 1KV)

• Features

- ⊙ Linear temperature coefficient of capacitance.
- ⊙ High stability of capacitance.
- ⊙ Low loss at wide range of frequency.



• Specifications

Operating Temperature Range 操作溫度範圍	Class I : -25°C~+85°C
Rated Working Voltage (DC) 工作電壓	50V, 63V, 100V, 500V, 1KV
Capacitance 電容器	Measured at 25°C, 1MHz, 1Vms.max.
Capacitance Tolerance 電容誤差值	1p F ~ 9 p F: ± 0.25 p F (C) or ± 0.5 p F (D) 10 p F and above: ± 5% (J) or ± 10% (K)
Insulation Resistance 絕緣電阻值	10,000MΩ min. at working voltage, 60 sec.
Dissipation Factor (D.F.) 散逸因子	Measured at 25°C, 1MHz, 1V ms, max. Q=1000min, if C ≥ 30 p F Q ≥ 400+20C, if C < 30p F (where C= capacitance)
Voltage Proof (Flash Test) 電壓防護	With stand 250% of rated working voltage with 50mA current, 1.5sec.
Life Test 壽命測試	200% of rated voltage at 85°C for 500 hours.
Applicable Standards 適用標準	EIA RS-198 (CLASS I), JIS C-6422 (TYPE I)

• How to order

T (1)	CH (2)	1H (3)	101 (4)	J (5)	L (6)	5 (7)	1 (8)	5 (9)	Y (10)
<u>CLASS I</u> T series	<u>DIELECTRIC</u> CH=NPO LH=N80 PH=N150 RH=N220 UJ=N750 SL=SL	<u>RATED VOLTAGE</u> 1H=50V 1J=63V 2A=100V 2H=500V 3A=1KV	<u>CAPACITANCE</u> 1PF =1R0 1.5PF = 1R5 2.2PF =2R2 100PF=101 120PF=121 10nF=103 100nF= 104	<u>TOLERANCE</u> C=±0.25PF D=±0.5PF F=±1% J=±5% K=±10% M=±20% Z=+80 ~ -20%	<u>LEAD SHAPE</u> K=Short kink (Bulk) S=Short Straight (Bulk) L=Long Straight (Bulk) A=Tape/Reel (Long Straight) B=Tape/Box (Long Straight) C=Tape/reel (Long kink) D=Tape/Box (Long kink)	<u>LEAD SPACING</u> 2=2.5±0.8 5=5.0±0.8 6=6.3±0.8 7=7.5±0.8 0=10 ±0.8	<u>LEAD LENGTH</u> 3=3.5±1.0 5=5.0±0.8 6=6.3±0.8 0=10 ±0.8 1= 25mm	<u>LEAD WIRE</u> 5=16V~500V (Φ0.48±0.05) 6=1KV (Φ0.5±0.05) 8=2KV (Φ0.45±0.6) 9=3KV (Φ0.6±0.05)	<u>GRADE</u> Y=-25°C ~+85°C

Ceramic Disc Capacitors

Temperature Compensating Series (Class I 50V ~ 1KV)

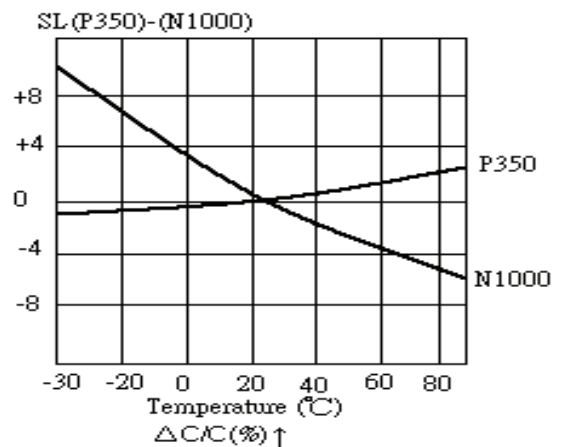
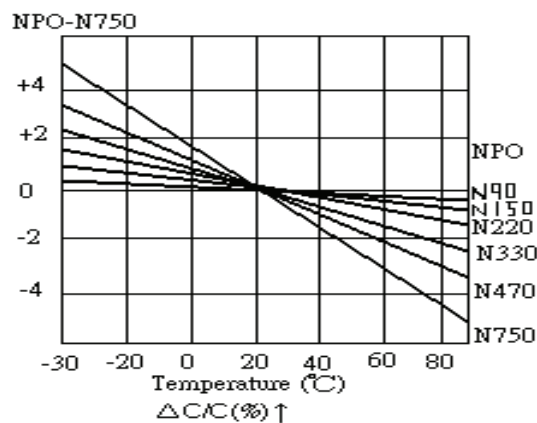


• Dimensions & Capacitance range

Dimensions(mm) 尺寸		Capacitance range (p F) of each Temperature 各溫度係數之電容值範圍					
D	F	NPO	N80	N150	N220	N750	SL
5	2.5or5.0	1-50	1-24	1-39	1-24	22-50	1-180
6	5.0	51-82	25-39	47-56	25-39	56-82	200-220
7	5.0	100-120	47-56	82-100	47-56	100-120	270-330
8	5.0	150-180	68	120-150	68	150-180	390-470
9	5.0	220	82	180-220	82	220	560-680
10	5.0	270~330	100	-	100	270	820-1000

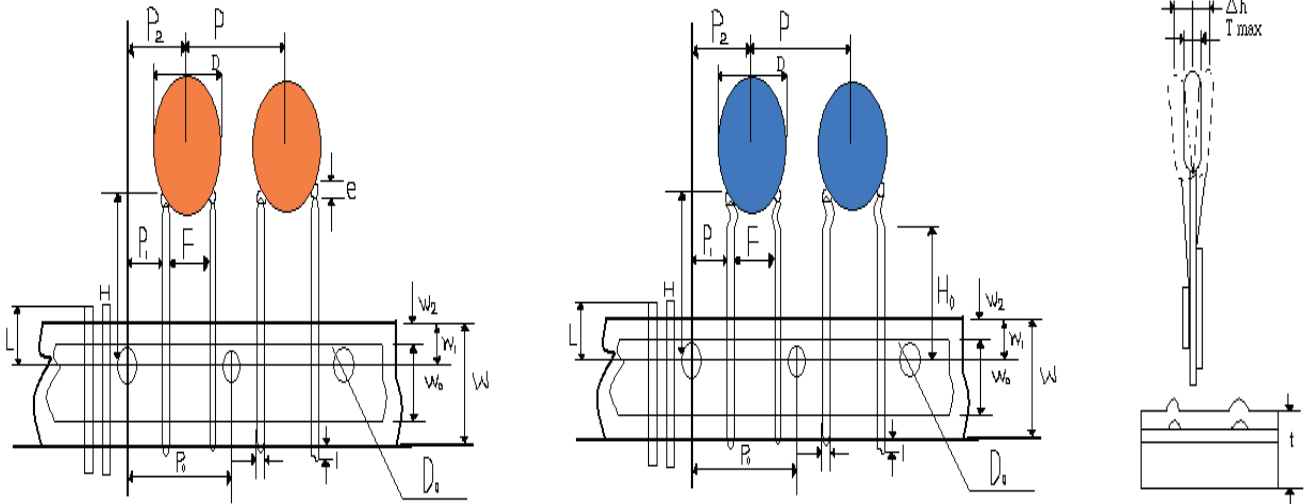
Dimensions(mm) 尺寸		Capacitance range (p F) of each Temperature 各溫度係數之電容值範圍		
(D)	(F) ◎	500V	500V	1 KV
Dia. Max.	Lead Spacing	NPO	SL	SL
6.0	5.0± 0.8	1 ~ 39	1 ~ 82	47 ~ 68
7.0	5.0± 0.8	47 ~ 56	90 ~ 161	82 ~ 101
8.0	5.0± 0.8	65 ~ 82		150 ~ 221
9.0	5.0± 0.8	90 ~ 101	181 ~ 301	
10.0	5.0± 0.8			271
11.0	5.0± 0.8			331
12.0	5.0± 0.8 or 7.5± 0.8			391 ~ 471
14.0	5.0± 0.8 or 7.5± 0.8			561 ~ 681

• Temperature characteristic curves

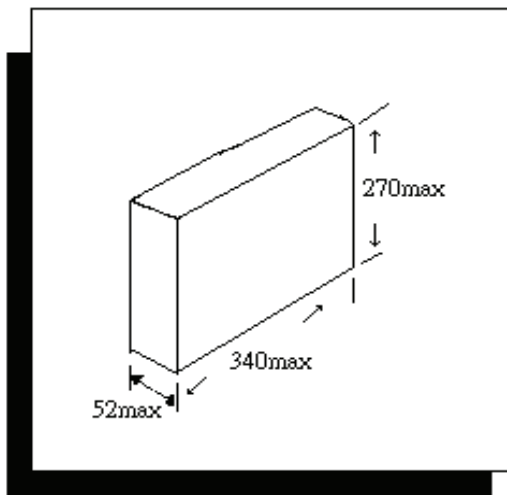


Ceramic Disc Capacitors
Temperature Compensating Series (Class I 50V ~ 1KV)

• Taping Specifications



AMMOPACK 編帶盒裝 2000pcs per Box



REEL 編帶捲裝 2000 or 2500 pcs Reel Unit mm

