



A Phoenix Mecano Company

Terminal Blocks and Multi Connector Systems





Our performance for **your success**

Areas of operation

- ▶ PCB terminal blocks and multi-connector systems
- ▶ DIN rail terminal blocks
- ▶ Test probes for PCB and cable test

Field of activities

PTR is responding to the globalisation of markets with an expanded distribution network. In over 50 countries worldwide, qualified personnel ensure that our products and services are always available to customers.



A Phoenix Mecano Company

Introduction

PTR has always produced quality. Since 1979, the name of PTR has stood for excellence and innovation in the field of terminal and testing technology. Thanks to our steadily expanding product portfolio, over the years we have acquired a significant share of the worldwide market for electromechanical components. Our merger with the Swiss firm of Phoenix Mecano in 1989 strengthened our worldwide presence.

For our customers, the excellent functionality, efficiency, precision and reliability of our products are the most important advantages. In addition, we set international standards by using German engineering, high-quality materials, flexible production processes and intelligent logistics. As a member of the Phoenix Mecano group, which operates worldwide, and through our other distribution partners, PTR terminal blocks and multi connector systems are always available in more than 50 countries.

Our customers use PTR terminal blocks and multi connector systems for a wide range of applications, including automation technology, safety technology, telecommunications and building automation.

A company which offers first-class products and services cannot leave anything to chance. All PTR terminal blocks and multi connector systems are VDE and UL approved, or the approval is pending. A modern quality management system is essential, and we have been certified according to EN ISO 9001 for many years.

We believe that a successful enterprise must also demonstrate social responsibility. This is why environmental responsibility is one of the cornerstones of our corporate philosophy, and we document this with certification according to EN ISO 14001. Of course, we also comply with all relevant EU directives, for example EU-RoHS (2002/95/EC) and REACH (1907/2006/EC) in their current versions.

We offer our customers a wide range of value-added products and services in the terminal block sector. These include customised terminal blocks and multi connector systems, for example special soldering pin lengths, various colours, partially-assembled terminal blocks, both inkjet and tampon printing, and terminal blocks and pin strips in tape on reel, tube or tray packaging. We are happy to work closely with our customers and to create individual products for them. Our product range also includes assemblies, fully-populated circuit boards, or pre-assembled wiring.

All the information in this catalogue was compiled to the best of our knowledge and was correct at the time of printing. For the latest information, please visit our website at www.ptr.eu.

Content

Introduction	3
Content	4
PTR – Phoenix Mecano	6
Your benefits	8
Clamp types	10
Automated assembly of PCBs	
Tape-On-Reel, Tubes, Trays	12
Soldering Wave + Reflow	14
Printing processes Tampon, Inkjet	15
PTR Website	16
Article designation	17

I. Terminal Blocks

Screw Terminal Blocks

Wire Guard Type

Spacing 3.5 mm	
AK550-V	20
AK550-H	21
Spacing 5.0 mm/ 5.08 mm	
AK100-V	22
AKZ120-V	23
AK100-V-BL	24
AK100-H	25
AKZ120-H	26
AK100-H-BL	27
AK104-V	28
AK500-V	29
AKZ500-V	29
AK500-V-BL	30
AK500-H	31
AKZ500-H	31
AK500-H-BL	32
AK590.....	33

Spacing 7.0 mm	
AK550-V	34
AK550-H	35

Spacing 7.5 mm	
AK110-V	36
AK110-H	37
AK114-V	38

Spacing 10.0 mm/ 10.16 mm	
AK100-V	39
AKZ120-V	40
AK100-V-BL	41
AK100-H	42
AKZ120-H	43
AK100-H-BL	44
AK500-V	45
AKZ500-V	45
AK500-V-BL	46
AK500-H	47
AKZ500-H	47
AK500-H-BL	48

Lift Type

Spacing 2.54 mm	
AKZ692-V	49 NEW
Spacing 3.5 mm/ 3.81 mm	
AK601-V	50 NEW
AKZ601-V	50 NEW
AKZ602-V	51
Spacing 5.0 mm/ 5.08 mm	
AKZ250-V	52
AK300	53
AKZ300	53
AK340-OL	54 NEW
AK340-OR	55 NEW
AK350-V	56
AKZ350-V	56
AK350-V-BR	57 NEW
AK350-H	58
AKZ350-H	58
AK370-V	59
AK700-V	60
AKZ700-V	60
AK700-V-BR	61 NEW
AK700-H	62
AKZ700-H	62
AK750-V	63
AKZ750-V	63
AKZ770-V	64
AK790-V	65
AK793-V	66
Spacing 6.35 mm	
AKZ840-V	67 NEW
Spacing 7.5 mm/ 7.62 mm	
AK360-V	68
AK360-H	69
AK710-V	70
AKZ710-V	70
Spacing 9.52 mm	
AKZ841-V	71 NEW
Spacing 10.0 mm/ 10.16 mm	
AKZ250-V	72
AK350-V	73
AKZ350-V	73
AK350-H	74
AKZ350-H	74

Excenter Type

Spacing 5.0 mm	
AK2200-V	75
AK2200-H	76
Spacing 7.5 mm	
AK2200-V	77
AK2200-H	78
Spacing 10.0 mm	
AK2200-V	79
AK2200-H	80

Spring Terminal Blocks

Push-In Type

Spacing 2.5 mm/ 2.54 mm	
AK4191/..KD	81 NEW
AK4191/..KDVP	82 NEW
AKZ4791/..KD-V	83 NEW
AKZ4791/..KD-H	84 NEW
Spacing 3.5 mm/ 3.81 mm	
AK4291/..KD	85
AK4291/..KDVP	86
AKZ4701/..KD-V	87 NEW
AKZ4701/..KD-H	88 NEW
Spacing 5.0 mm/ 5.08 mm	
AK4100	89
AK4101/..KD	90
AKZ4301/..KD	91
Spacing 6.35 mm	
AKZ4801-V	92
AKZ4841/..KD-OL	93
AKZ4841/..KD-OR	94

Tension Spring Type

Spacing 2.5 mm/ 2.54 mm	
AK3191	95
AKZ3191	95
AK3191/..KD	96
AKZ3191/..KD	96
Spacing 5.0 mm/ 5.08 mm	
AK3000	97
AK3001/..KD	98
AK3001/..FD	99
AK3100	100
AK3101/..WD	101
AK3750	102
AKZ3750	102
AK3750-PD10.0	103 NEW
AKZ3750-PD10.0.....	103 NEW
AK3750/..VP	104
AKZ3750/..VP	104
Spacing 7.5 mm	
AK3010	105
AK3011/..KD	106
AK3011/..FD	107
Spacing 10.0 mm	
AK3000	108
AK3001/..KD	109
AK3001/..FD	110

II. Multi Connector Systems

Screw Terminal Blocks

Wire Guard Type

Spacing 3.5 mm	
AK1350	115
AK1350-CP	116 NEW
Spacing 5.0 mm/ 5.08 mm	
AK130	117
AK130-BL	118
AKZ130-BL	118

AK133	119	NEW	AK4561/..FKD	149	NEW	STL2950-H	184
Spacing 10.0 mm/ 10.16 mm			AKZ4561/..FKD	149	NEW	STL950-H-HC	185
AK130	120		Spacing 5.0 mm/ 5.08 mm			STL2950-H-HC	185
AK130-BL	121		AK4951/..KD	150	NEW	STL950/..G-H	186
Lift Type			AKZ4951/..KD	150	NEW	STL2950/..G-H	186
Spacing 3.5 mm/ 3.81 mm			AK4951/..FKD	151	NEW	STL950/..G-H-HC	187
AK1550	122		AKZ4951/..FKD	151	NEW	STL2950/..G-H-HC	187
AKZ1550	122		Tension Spring Type			STL950/..F-H	188
AK1550/..F	123		Spacing 5.0 mm			STL2950/..F-H	188
AKZ1550/..F	123		AK3950	152		STL950/..F-H-HC	189
AK1700	124	NEW	Pin Strips			STL2950/..F-H-HC	189
AKZ1700	124		Spacing 3.5 mm/ 3.81 mm			STL2950-H-INV	190
AK1700/..F	125	NEW	STL1350-V	153		STL955-OL	191
AKZ1700/..F	125		STL1350-V-HT	154		STL955-OR	192
AK1710	126	NEW	STL1350-H	155		STL2970-V	193
AKZ1710	126		STL1350-H-HT	156		STL2970-H	194
AK1710/..F	127	NEW	STL1550/..G-V	157		STL2970/..G-V	195
AKZ1710/..F	127		STLZ1550/..G-V	157		STL2970/..G-H	196
Spacing 5.0 mm/ 5.08 mm			STLZ1550/..G-V-HT	158		STL2970/..F-V	197
AK950	128		STL1550/..F-V	159		STL2970/..F-H	198
AKZ950	128		STLZ1550/..F-V	159		STL975/..G-V	199
AK950-HC	129	NEW	STLZ1550/..F-V-HT	160	NEW	STL975/..G-H	200
AKZ950-HC	129	NEW	STL1550/..G-H	161		STL2990	201
AK950/..F	130		STLZ1550/..G-H	161		STL2990/..G	202
AKZ950/..F	130		STLZ1550/..G-H-HT	162		Spacing 7.62 mm	
AK950/..F-HC	131	NEW	STL1550/..F-H	163		STL2960-V	203
AKZ950/..F-HC	131	NEW	STLZ1550/..F-H	163		STL2960/..G-V	204
AK955	132	NEW	STLZ1550/..F-H-HT	164	NEW	STL2960-H	205
AKZ955	132	NEW	STLZ1570/..G-V	165		STL2960/..G-H	206
AKZ950-INV	133	NEW	STLZ1570/..G-H	166		STL2965/..F-V	207
AK1100	134		STLZ1570/..F-V	167		STL2965/..F-H	208
AKZ1100	134		STLZ1570/..F-H	168		Spacing 10.0 mm/ 10.16 mm	
AKZ1100/..F	135	NEW	STLZ1590/..G	169		STL130-V	209
AK1110	136		Spacing 5.0 mm/ 5.08 mm			STL130-V	209
AKZ1110	136		STL130-V	170		STL130-V-HT	210
AKZ1110/..FS	137	NEW	STL130-V	170		STL132-V	211
AKZ5950/..G	138		STL130-V-HT	171		STL132-V-HT	212
AKZ5950/..FS	139		STL132-V	172		III. Accessories	214
AKZ5950/..GMB	140		STL132-V-HT	173		IV. Technical information	216
Spacing 7.62 mm			STL133-V	174	NEW	Order number index	232
AKZ960	141		STL140-H	175		Type index	234
AKZ965/..F	142	NEW	STL140-H-HT	176		PTR worldwide	236
Excenter Type			STL950-V	177		PTR Germany	238
Spacing 5.0 mm/ 5.08 mm			STL2950-V	177		Distributors with stock	
AKZ1200	143		STL950-V-HC	178	NEW	in Germany	239
AKZ1200/..F	144		STL2950-V-HC	178	NEW		
Spring Terminal Blocks			STL950/..G-V	179			
Push-In Type			STLZ950/..G-V	179			
Spacing 3.5 mm			STL950/..G-V-HC	180	NEW		
AK4350/..G	145		STLZ950/..G-V-HC	180	NEW		
AK4551/..KD	146	NEW	STL950/..F-V	181			
AKZ4551/..KD	146	NEW	STLZ950/..F-V	181			
AK4551/..FKD	147	NEW	STL950/..F-V-HC	182	NEW		
AKZ4551/..FKD	147	NEW	STLZ950/..F-V-HC	182	NEW		
AK4561/..KD	148	NEW	STL2950-V-INV	183	NEW		
AKZ4561/..KD	148	NEW	STL950-H	184			

Phoenix Mecano AG

The Group Phoenix Mecano is a global player in the enclosures and industrial components segments, has a streamlined operating structure and is a leader in many markets. Geared towards the professional and cost-effective manufacture of niche products, it helps to ensure the smooth operation of processes and connections in the

machine industry and industrial electronics. Its products are used in the mechanical engineering, measurement and control technology, alternative energy, medical technology, aerospace technology and home and hospital care sectors, amongst others.

Phoenix Mecano Group

- ▶ Gross sales approx. 500 million EUR
- ▶ Approx. 5,500 employees

The numbers relate to 2010.

You can find current figures on our Website:

www.phoenix-mecano.com



Enclosures

Standardised and customised enclosures made of aluminium, plastic and glass-fibre reinforced polyester and stainless steel, machine control panels and suspension systems protect sensitive electrical equipment and electronics in mechanical engineering and measurement and control technology applications. High-quality sandwich keyboards offer a reliable human/machine interface, even under extreme conditions.

Mechanical Components

Aluminium profiles, pipe connection systems, linear drives and conveyor components enable sophisticated systems for use in machine and equipment construction. Reliable, high-performance linear actuators and drive units for use in the home and care sector offer users a high level of comfort.

ELCOM/EMS

Intelligent concepts provide solutions for increasingly complex tasks associated with coding switches, inductive components and plug connectors, backplanes, transformers and power supply systems, circuit board equipment and the development of customised electronic applications right down to complete subsystems.

Phoenix Mecano Group locations around the world

North | South America

- USA:**
Springfield, Ohio
Shannon, Mississippi
Frederick, Maryland
- Brazil:**
Manaus, São Paulo

Europe | Africa

- Great Britain:** Aylesbury
- Spain:** Zaragoza
- France:** Fontenay-sous-Bois
- Benelux:**
Deinze, Belgium
Doetinchem, Netherlands
- Scandinavia:**
Odense, Denmark
Ingelstad, Sweden
- Germany:**
Baiersdorf, Bermatingen, Bünde,
Burscheid, Eberswalde,
Grävenwiesbach, Kirchlingern,

- Langenhagen, Marpingen,
Minden, Porta Westfalica,
Stuttgart, Villingen-
Schwenningen,
Werne, Wutha-Farnroda
- Switzerland:** Stein am Rhein
- Tunisia:**
Ben Arous, Borj-Cedria,
Djebel El Quest-Zaghouan
- Italy:** Inzago
- Austria:** Vienna
- Hungary:** Kecskemét
- Romania:** Sibiu

Asia

- Turkey:** Ankara
- Russia:** Moscow
- United Arab Emirates:**
Sharjah
- India:** Pune
- Thailand:** Bangkok
- Singapore:** Singapore
- People's Republic of China:**
Shenzhen, Shanghai
- Taiwan:** Taipei
- South Korea:** Seoul

Australia

- Australia:** Victoria



Strong together –

  <p>1</p>	  <p>4</p>	  <p>7</p>	  <p>10</p>	  <p>13</p>
  <p>2</p>	  <p>5</p>	  <p>8</p>	  <p>11</p>	  <p>14</p>
  <p>3</p>	  <p>6</p>	  <p>9</p>	  <p>12</p>	

1) High-quality aluminium-profile technology used in a wide variety of applications

2) Membrane keyboard with improved surface feel and also with 2D lighting. Used in commercial vehicle service keyboards, tool operation systems and the catering industry

3) Explosion-proof push-button station for applications in chemical and petrochemical environments

4) Single drive including control system with variable-voltage switching power supply for worldwide use

5) Ultra-compact double drive for adjustment of seating and reclining furniture

6) Linear units and electric cylinders cover the many and varied demands associated with automation: control, adjustment, positioning or uniform operation

7) Toroidal transformer for solar inverter. Precision windings for maximum efficiency and unbeatable quality

8) High-performance filter choke for solar inverter applications, featuring high gain and frequency stability

9) Production of toroidal tape-wound, air gap and split-tape cores made of high-permeability silicon-iron alloys

10) VPX-backplane for serial high-speed transmission at up to 5 Gbit / s (PCI Express / SATA / USB 3.0 / Rapid IO / USB 3.0 / 10 Gbit Ethernet)

11) Universal plug-in card for control, measurement and supervision of power supplies via USB and Ethernet

12) Ultra-small rotary coding switches are used in a variety of ever-smaller electrical engineering applications

13) This assembly is representative of a whole range of controller boards for high-precision analysis technology in the fields of pharmaceuticals, biotechnology, life science, chemicals and environmental analysis. These functional units are used for control and monitoring of the system sensors and microdosing units

14) Spring contacts in plastic frames for use in interface technology and as battery-charging contacts

Your benefits



Quality and reliability are more important today than ever before. This is of utmost importance especially when it comes to terminal blocks and multi-connector systems.

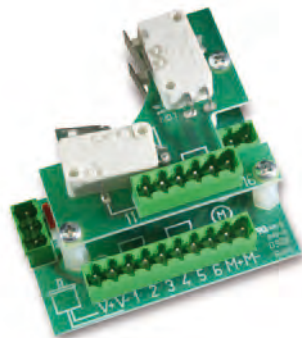
Ever-new directions must be met and strict international standards adhered to. Along with constant quality checks and delivery deadlines, PTR maintains excellent reliability, quality and service.

The focus is on the customer, who is not only offered a **high-quality product** but in addition tremendous value and service.

With an innovative R&D Department (specialising in **custom-made products**), a flexible production facility and a well-thought-out logistic process, PTR offers **prompt service** and **cost-effective products**.

PTR **offers a great package of value and service** when it comes to terminal blocks and multi-connector systems. Customer-specific requests are welcome accepted and fulfilled using our in-house capabilities.





► **Customised products**

Terminal blocks or headers for special applications can be developed at PTR to meet the customer's requirements. Modifications of a standard housing or integration of an additional wire connection within the plastic housing are possible.

► **Partial assembly/irregular spacing**

Besides terminal blocks and multi-connector systems with the standard spacing of 3.5(3.81) mm, 5.0 (5.08) mm and 7.5(7.62) mm, PTR delivers designs with double-spacing of 7.0 (7.62) mm, 10.0(10.16) mm as well as 15.0(15.62) mm or in any desired special design.

► **Cable assembly/Bridge**

Multi-connector systems are delivered on request with the applicable preassembled cable. Other options such as external bridges can be offered with or without insulation as an accessory. If required, these can be fitted to the terminal block and supplied as a single part.

► **Printed circuit-board assembly**

If PTR terminal blocks or headers are to be assembled on small printed circuit boards, PTR could take over the manufacturing of the complete device.

► **Closed clamp area**

Terminal blocks and connectors with the lift principle can be delivered on request with a closed clamp area either for a complete block or with an irregular pattern. This avoids incorrect connection to the poles.

► **Special poles**

PTR supplies terminal blocks as well as headers in many different varieties. Shorter or longer pins, gold-plated or partially gold-plated contact pins and contact springs. Pins with different diameters or angled pins are available depending on the series!

► **Colour variety**

The PTR terminal blocks and headers are available in standard colours and also in a large choice of different colours. In this way, multi-coloured options can be offered and headers can be matched by colour to the applicable terminal blocks. Terminal blocks and multi-connector systems can be produced in almost any other colour (RAL).

► **Tape-on-reel, Trays, Tubes**

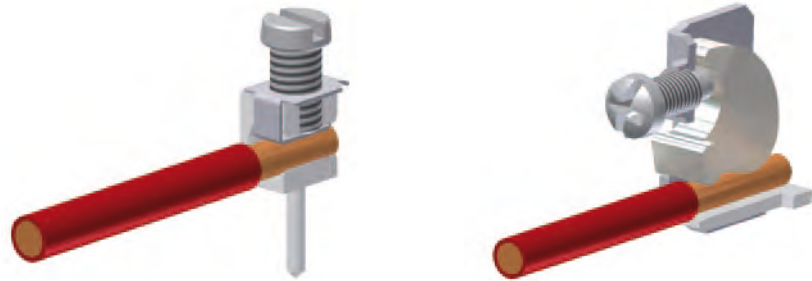
For printed circuit board assembly in automated processes, PTR can offer terminal blocks and headers on tape-on-reel, in trays or in tubes. Dimensions and shapes are adapted to the assembly machine. On request the tapes/trays/tubes can be supplied in anti-static packaging for ESD protection. Terminal blocks and headers in tape-on-reel or tray packing will be delivered with pick & place pad where needed.

► **Printing**

Terminal blocks and headers can be marked by different methods. PTR offers its customers two kinds of printing: Ink-jet printing, the cost-effective, fast and flexible solution to print letters or individual characters and tampon printing. The Tampon print guarantees the best quality and definition? A variety of letters and characters are possible – even on corners and round surfaces. Both types of printing are wipe-proof; the tampon-printing method is also resistant to isopropyl alcohol.



Clamp types



The terminal block wire guard type

In this design, PTR screw terminal blocks make use of stainless steel wire protection which protects the connected wire. The solder pin and clamp body form a single unit, and this guarantees low transition resistance and minimal voltage loss. This configuration allows for (a) a versatile and low-cost solution for terminal blocks whose terminal clamps are rarely removed; and (b) the use of both solid and stranded conductors with and without ferrules. Applications include building automation, safety technology, and telecommunication.

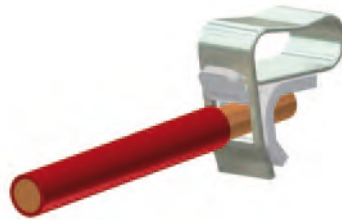
The excenter type

The excenter design results in space-saving products in which the wire and screw are positioned on the same side of the component. The excenter type is used to mount terminal blocks in flush device elements, for example circuit board inserts.



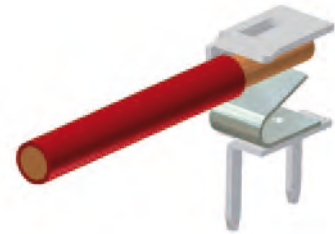
The lift type

The most popular and proven technology for connections which must often be removed consists of terminal blocks with a lift design which allows the clamp to move parallel to the solder tag during the screwing process. This ensures that it is easy to detach and restore the electrical contact. It also ensures secure fastening in the clamping area of solid or stranded conductors with a wide range of wire sizes. The wire is clamped between the clamp and the solder tag, so even the smallest wires fit tightly in the connection area. The lateral grooves in the connection area provide excellent tear strength and ensure penetration of the wire's oxidation layer when the screw is tightened. This creates a secure, gas-tight electrical connection. This connection mechanism is used for industrial applications when it is necessary to connect and disconnect conductors frequently, but at the same time to ensure a reliable electrical contact.



The tension spring type

The tension spring design allows the user to connect and disconnect wires by opening the spring with a screwdriver or operating lever – there is no time-consuming rotation of a screw or need for a special tool. The tension spring type is very useful in difficult operating conditions, for example where there is a risk of vibration, impact, shock or extreme temperature fluctuations. The spring compensates for the stress-dependent and thermal compression/flow performance of the wires, and this ensures a gas-tight and maintenance-free electrical connection. This dynamic clamp connection system creates a reliable contact, protects the connection against vibration, and is becoming more and more popular in industrial and traffic technology applications.



The push-in type

The push-in design offers the fastest connection method. It is ideal for use with solid and stranded wires with ferrules, and allows the user to make connections by direct insertion of the wire without using a tool or pressing a lever. A screwdriver or operating lever is necessary only to open the spring during the insertion or removal of stranded wires. The simple structure of terminal blocks creates a compact design. The data and telecommunication industries often use this time-saving connection technology.

Automated assembly of PCBs

Automation now plays an important part in circuit board manufacture. In this process, an automatic assembly machine positions components on the circuit board and then solders them fully automatically.

A handling system removes the component from its packaging, determines its position, and then calculates the travel that is necessary for exact positioning of the component on the circuit board. When a circuit board has been assembled, it moves to the next station.

Circuit-board component packaging must ensure component protection, storage and transport. It must also allow the component to be placed in a precisely-defined position.

There are various types of suitable packaging, including:

- ▶ Tape-on-Reel
- ▶ Trays
- ▶ Tubes





Tape-on-Reel

For tape-on-reel packaging, the components are packed in pockets sealed with protective foil. This type of packaging is available in various widths, pocket depths and material strengths in accordance with EN 60286-3. In addition to standard tape-on-reel, customized products are also available, as shown in the picture. A conductive material is generally used in order to prevent electrostatic discharge. The tapes are wound on reels which are inserted directly into the placement machine feeder.

Trays

Other placement machines use palleting systems with stacked trays which supply the components. This provides a sufficiently large quantity of components so that the placement machine can operate without supervision. The tray shape enables the target component to be correctly positioned on the tray, and the handling system can then remove it. Trays are generally made of conductive material which prevents electrostatic discharge.

Tubes

Tubes are another type of component packaging used for automatic assembly processes. Tube shapes are designed to give the component the best possible protection during shipping and storage. At the same time, the tube shapes ensure correct positioning of the component for automatic assembly. Tubes are also available in a conductive material.



Soldering

Wave or reflow soldering is used for the fully-automatic or semi-automatic soldering of components to circuit boards and flat modules.

In wave soldering, after the circuit board has been assembled, it is heated and then passed over a solder wave. In this process, hot fluid solder is pumped through a gap (chip and delta wave) or, for example, through holes in a perforated plate (Wörthmann wave). The component's solder pins take up the solder, which results in a perfect solder connection after the solder has cooled.

In reflow soldering, soldering paste is applied under pressure to the circuit board. As the applied solder has adhesive properties, the circuit board can be assembled without any further fixation, and can then pass through the furnace. After a pre-heating phase, the solder is heated to fusion temperature during the soldering phase. At this temperature, the solder becomes liquid, and this creates a bond between the component and circuit board. The result is a fault-free solder connection after the solder has cooled.

As a rule of thumb for solderable PTR terminal blocks and pin strips a PCB hole diameter should be used which is 0.3 mm larger than the pin diameter from the soldered component.

As preferred the information of the respective product page is valid. A solder pad has to have a minimum ring thickness of 0.2 mm to ensure a correct shaped soldering cone and therefore a good soldering joint.

The soldering process consists of the following four main phases:

1. Preparation: In the wave soldering process, first the components are mounted on the circuit board. In reflow soldering, by contrast, first the soldering paste is applied, and then the components are mounted.

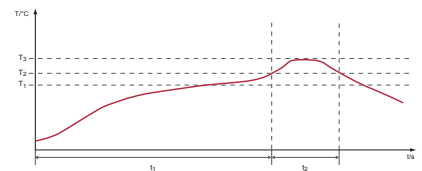
2. Preheating: During this phase, the assembled circuit boards are brought to a preheat temperature – there are different processes for this purpose. The preheating method prevents deformation of the circuit board or its components and other damage.

3. Soldering: In wave soldering, the preheated circuit board passes over a solder wave. In reflow soldering, the entire circuit board is heated to the soldering temperature. The soldering time must be carefully selected to ensure that there is no damage to the circuit board or its heat-sensitive components.

4. Cooling: The circuit board components should be cooled under supervision immediately after soldering. This minimises thermal stress on the circuit board and its components.

Below we recommend the soldering temperature profiles for the various soldering processes. Please note that these are only recommended profiles, because it is not possible to list general parameters for different procedures, circuit boards and components. A soldering profile which produces optimal results must be calculated on an individual basis.

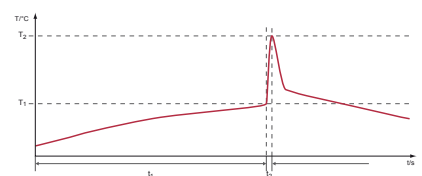
Soldering Profile Reflow



Recommendations

Preheating Phase	Temperature	T_1	180 °C
	Duration	t_1	< 240 s
Soldering Phase	Duration	t_2	< 60 s
	Temperature, minimum	T_2	217 °C
	Temperature, maximum	T_3	245 °C

Soldering Profile Wave



Recommendations

Preheating Phase	Duration	t_1	80 s
	Temperature	T_1	110 °C
Soldering Phase	Duration	t_2	3 - 4 s
	Temperature	T_2	265 °C

Printing processes



PTR uses both inkjet and tampon printers. Inkjet printing is a rapid and flexible process, but the contour accuracy is inferior. Inkjet printing is easy to use and offers low-cost manufacturing.

Tampon printing is more expensive, but contour accuracy is much better. The two-component ink system also provides better scratch and wipe resistance.

Inkjet printing

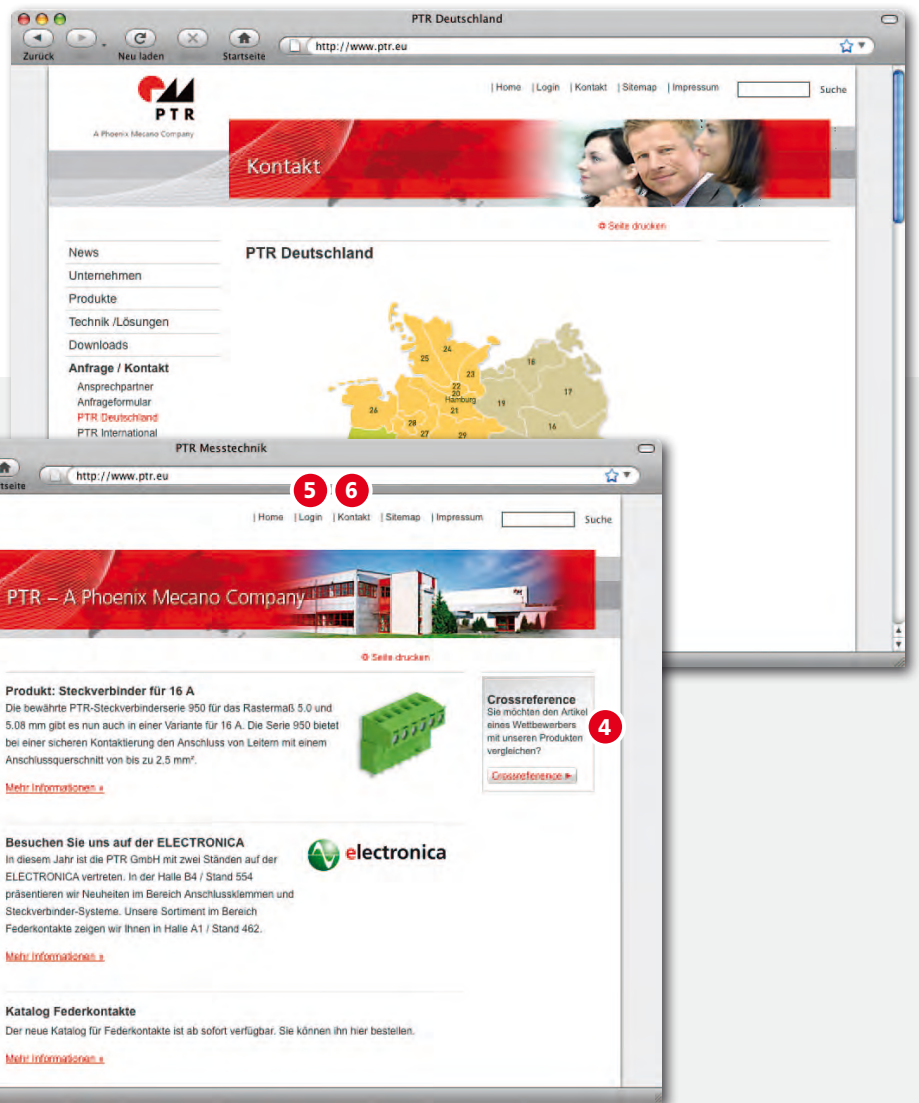
Inkjet printers are matrix printers which use a targeted spray of ink droplets to create a printed image. Alternatively, they guide the spray electrically. This allows the individual droplets to create an image from many dots. Normally the user can easily and quickly adapt the image and print out letters, numbers and special characters.



Tampon printing

Tampon printing is an indirect printing process. The user creates an image-specific printing block to which he applies the ink. A tampon transfers the ink to the terminal block. This process provides highly accurate contours. Individually-manufactured printing blocks make it possible to print letters, numbers and special characters.





1 Products

- ▶ Product search with individual search criteria
- ▶ Product data sheets with technical drawings and zoomable photos
- ▶ PDF generation
- ▶ Cross-reference from stock
- ▶ Terminal blocks
- ▶ DIN rail terminal blocks
- ▶ Test probes

2 Technology/Solutions

- ▶ Background knowledge and more detailed information on our products

3 Downloads

- ▶ Catalogues
- ▶ Certificates
- ▶ Statements of conformity
- ▶ Brochures
- ▶ Press releases

4 Cross-reference

- ▶ Recoding of competitor article designations to PTR designations

5 Login area

- ▶ Premium service for registered customers

6 Contact

- ▶ Your contacts worldwide

Article designation for standard terminal blocks

AK100 / 12 (DS) – 5.0 – (V) – (B) – GREY – (BL)

1 Series name

AK/ STL metric version
AKZ/ STLZ inch version

2 Number of poles

CC with coding cover
DS with wire guard
F with flange
FD with finger release
G with side walls, enclosed housing
GMB assembly block version
KD with screw lever
L with pull relief
LG with locking guides
SE with separating element(s)
VP with alternating pins
WD with angle lever

4 Spacing in mm

5 H

solderable terminal blocks: horizontal screw-in direction
pin strips: horizontal plug-in direction of pluggable terminal block

V

solderable terminal blocks: vertical screw-in direction
pin strips: vertical plug-in direction of pluggable terminal block

OL orthogonal design, pins point left

OR orthogonal design, pins point right

6 with printing

7 Housing colour

8 AU

gold-plated contacts

BL solid block

BR with internal bridging

CP with coding pin(s)

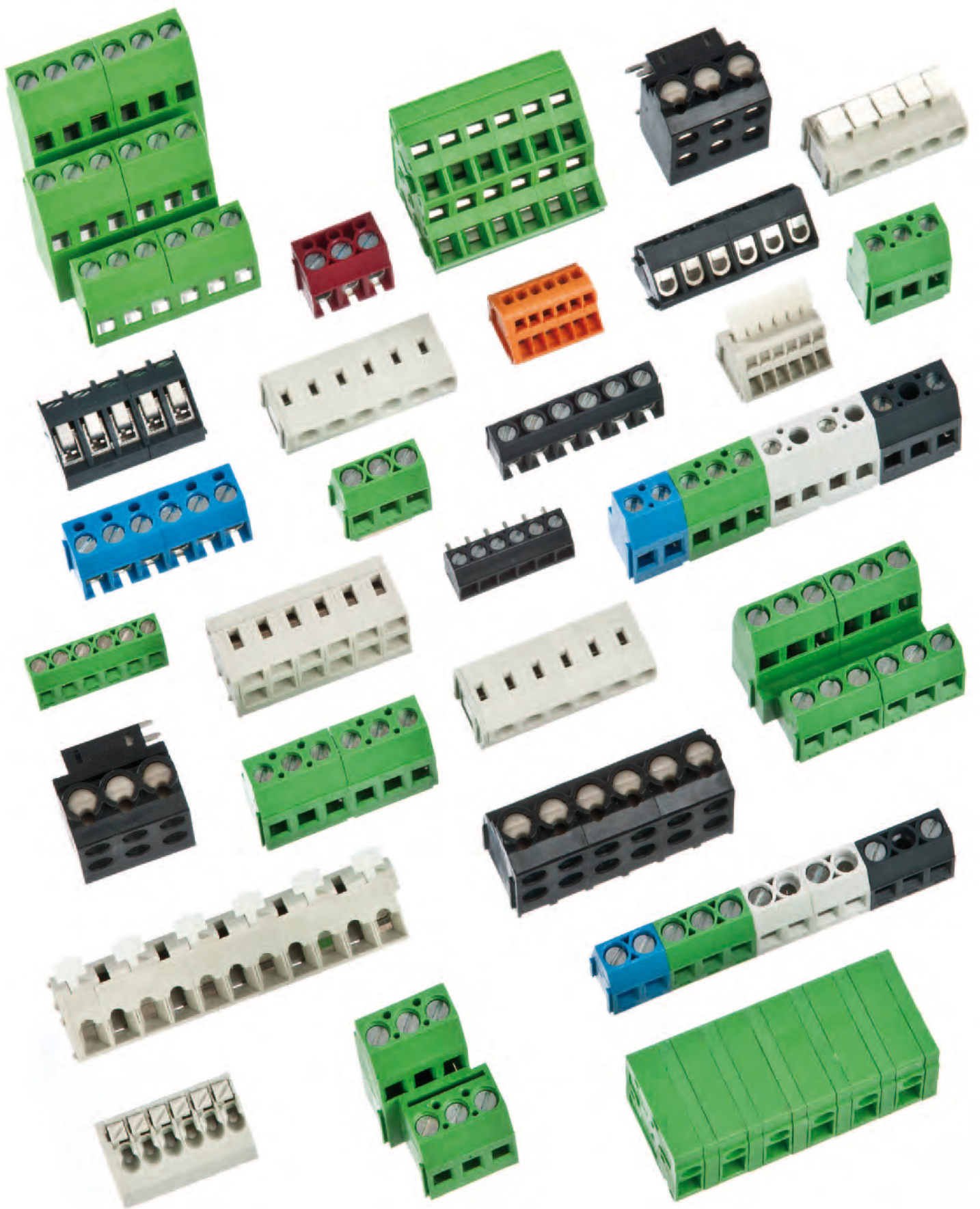
GG provided on tape reel

HC high-current version

HT reflow enabled

INV inverted mating face

PD Pin distance from front row to back row



Terminal blocks

PCB terminal blocks are divided into two groups: **a) screw terminal blocks**, and **b) spring terminal blocks**. Three connection types are available for the screw terminal blocks: the **wire guard**, the **lift**, and the **excenter type**.

Normally, screw terminal blocks are manufactured either as **modular constructions, as two-pole and three-pole terminals**, and can be flexibly connected to each other to make larger terminals by means of the so-called dovetail connection. Individual series are also available in **blocks**. Screw terminal blocks using the different connection designs are available with spacing from 2.54 mm to 15.24 mm, metric or inch, and in various colours.

The group of **spring terminal blocks** is divided into **terminal blocks** using the **push-in design** (leg spring technology) and the **tension spring design**. Spring terminal blocks are normally manufactured in **layers** which can be combined to create the required number of poles. In addition, different colours can be combined within a terminal block.

Spring terminal blocks using both connection types are available with spacing from 2.5 mm to 10.16 mm, metric or inches.

AK550/..DS-3.5-V-GREY



Technical Data

Wire Size		Insulating Material	
Solid min	0.08 mm ²	Material	PA 6.6
Solid max	1.5 mm ²	Flammability Class	UL 94 V-0
Stranded (flexible) min		Temperatures	
Stranded (flexible) max	0.08 mm ²	Operating Temperature	-30 °C - 105 °C
Stranded with Ferrule min		Wave Soldering Process	
Stranded with Ferrule max	0.14 mm ²	Soldering Temperature, recommended	265 °C
Stranded with Ferrule max		Peak Soldering Time, recommended	3-4 s
Dimensions			
Stripped Length	5.5 mm	Reflow Process	
PCB Hole Diameter	1.2 mm	Soldering Temperature, recommended	-
Materials			
Clamp	Brass	Peak Soldering Time, recommended	-
Wire Guard	Stainless Steel		
Screw	Steel		

Colours

	GREY, RAL 7016		PEBBLE GREY, RAL 7032
	GREEN, RAL 6018		LIGHT GREEN, similar RAL 6018

Colours according to RAL, there may be variations on colour due to production conditions. Special colours on request.

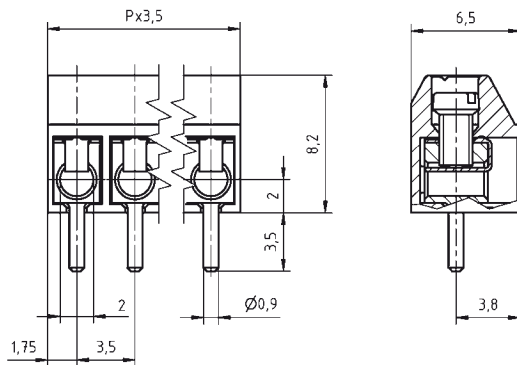
Order Data (Spacing 3.5 mm)

Poles	Width (mm)	Article Designation	Article Number	PU
2	7.00	AK550/2DS-3.5-V-GREY	50550020121G	250
3	10.50	AK550/3DS-3.5-V-GREY	50550030121G	250
4	14.00	AK550/4DS-3.5-V-GREY	50550040121G	250
5	17.50	AK550/5DS-3.5-V-GREY	50550050121G	250
6	21.00	AK550/6DS-3.5-V-GREY	50550060121G	250
7	24.50	AK550/7DS-3.5-V-GREY	50550070121G	250
8	28.00	AK550/8DS-3.5-V-GREY	50550080121E	100
9	31.50	AK550/9DS-3.5-V-GREY	50550090121E	100
10	35.00	AK550/10DS-3.5-V-GREY	50550100121D	50
11	38.50	AK550/11DS-3.5-V-GREY	50550110121D	50
12	42.00	AK550/12DS-3.5-V-GREY	50550120121D	50
13	45.50	AK550/13DS-3.5-V-GREY	50550130121D	50
14	49.00	AK550/14DS-3.5-V-GREY	50550140121D	50
15	52.50	AK550/15DS-3.5-V-GREY	50550150121D	50
16	56.00	AK550/16DS-3.5-V-GREY	50550160121D	50

Accessories

Figure	Designation	Article Number
	Bridge, 2-pole, insulated, BR/2-7.0/7.62-L7.5-LIGHT GREY	50000000018
	Bridge, 2-pole, BR/2-3.5/3.81-L7.5	50000000015
	Bridge, 3-pole, BR/3-3.5/3.81-L7.5	50000000016

See pages 214/215 for details and general accessories, and see pages 8/9 concerning services.



Ratings



Usegroup	B	C	D		
Rated Voltage	125 V	-	-	130 V	
Rated Current	6 A	-	-	13.5 A	
Rated Wire Size				min	max
	solid	AWG 28-16	-	0.5 mm ²	1.0 mm ²
	stranded	AWG 28-16	-	0.5 mm ²	1.0 mm ²
Torque	0.25 Nm			0.20 Nm	
Screw Size	M2			M2	
Test Voltage	1.25 kV			1.25 kV	

AK550/..DS-3.5-H-GREY



Technical Data

Wire Size		Insulating Material	
Solid min	0.08 mm ²	Material	PA 6.6
Solid max	1.5 mm ²	Flammability Class	UL 94 V-0
Stranded (flexible) min	0.08 mm ²	Temperatures	
Stranded (flexible) max	1.0 mm ²	Operating Temperature	-30 °C - 105 °C
Stranded with Ferrule min	0.14 mm ²	Wave Soldering Process	
Stranded with Ferrule max	0.5 mm ²	Soldering Temperature, recommended	265 °C
Dimensions		Peak Soldering Time, recommended	3-4 s
Stripped Length	5.5 mm	Reflow Process	
PCB Hole Diameter	1.2 mm	Soldering Temperature, recommended	-
Materials		Peak Soldering Time, recommended	-
Clamp	Brass		
Wire Guard	Stainless Steel		
Screw	Steel		

Colours




	GREY, RAL 7016		GREEN, RAL 6018
	LIGHT GREEN, similar RAL 6018		

Colours according to RAL, there may be variations on colour due to production conditions. Special colours on request.

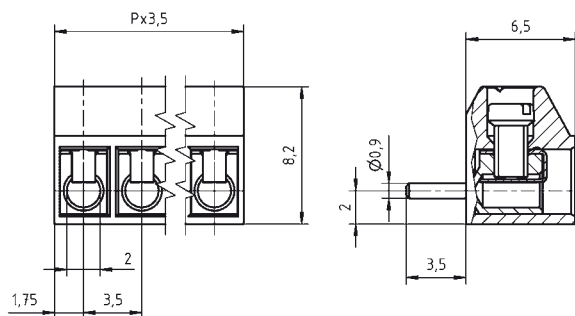
Order Data (Spacing 3.5 mm)

Poles	Width (mm)	Article Designation	Article Number	PU
2	7.00	AK550/2DS-3.5-H-GREY	50550020171G	250
3	10.50	AK550/3DS-3.5-H-GREY	50550030171G	250
4	14.00	AK550/4DS-3.5-H-GREY	50550040171G	250
5	17.50	AK550/5DS-3.5-H-GREY	50550050171G	250
6	21.00	AK550/6DS-3.5-H-GREY	50550060171G	250
7	24.50	AK550/7DS-3.5-H-GREY	50550070171G	250
8	28.00	AK550/8DS-3.5-H-GREY	50550080171E	100
9	31.50	AK550/9DS-3.5-H-GREY	50550090171E	100
10	35.00	AK550/10DS-3.5-H-GREY	50550100171D	50
11	38.50	AK550/11DS-3.5-H-GREY	50550110171D	50
12	42.00	AK550/12DS-3.5-H-GREY	50550120171D	50
13	45.50	AK550/13DS-3.5-H-GREY	50550130171D	50
14	49.00	AK550/14DS-3.5-H-GREY	50550140171D	50
15	52.50	AK550/15DS-3.5-H-GREY	50550150171D	50
16	56.00	AK550/16DS-3.5-H-GREY	50550160171D	50



Accessories

Figure	Designation	Article Number
	Bridge, 2-pole, insulated, BR/2-7.0/7.62-L7.5-LIGHT GREY	50000000018
	Bridge, 2-pole, BR/2-3.5/3.81-L7.5	50000000015
	Bridge, 3-pole, BR/3-3.5/3.81-L7.5	50000000016

See pages 214/215 for details and general accessories, and see pages 8/9 concerning services.



Ratings

Usegroup					
	B	C	D		
Rated Voltage	125 V	-	-	130 V	
Rated Current	6 A	-	-	13.5 A	
Rated Wire Size				min	max
	solid	AWG 28-16	-	0.5 mm ²	1.0 mm ²
	stranded	AWG 28-16	-	0.5 mm ²	1.0 mm ²
Torque	0.25 Nm			0.20 Nm	
Screw Size	M2			M2	
Test Voltage	1.25 kV			1.25 kV	

AK100/..DS-5.0-V-GREY



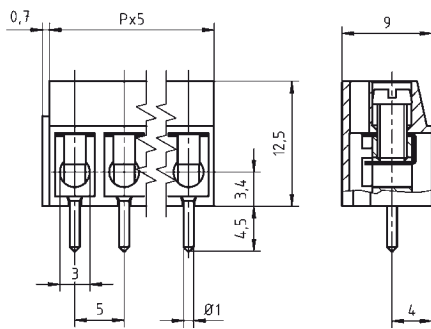
Technical Data

Wire Size		Insulating Material	
Solid min	0.2 mm ²	Material	PA 6.6
Solid max	4.0 mm ²	Flammability Class	UL 94 V-0
Stranded (flexible) min		Temperatures	
Stranded (flexible) max	0.2 mm ²	Operating Temperature	-30 °C - 105 °C
Stranded with Ferrule min		Wave Soldering Process	
Stranded with Ferrule max	0.2 mm ²	Soldering Temperature, recommended	265 °C
Stranded with Ferrule max		Peak Soldering Time, recommended	3-4 s
Dimensions		Reflow Process	
Stripped Length	7.0 mm	Soldering Temperature, recommended	-
PCB Hole Diameter	1.3 mm	Peak Soldering Time, recommended	-
Materials			
Clamp	Brass		
Wire Guard	Stainless Steel		
Screw	Steel		

Colours

	GREY, RAL 7016		BLACK, RAL 9011
	BLUE, RAL 5015		




Colours according to RAL, there may be variations on colour due to production conditions. Special colours on request.



Order Data (Spacing 5.0 mm)

Poles	Width (mm)	Article Designation	Article Number	PU
2	10.70	AK100/2DS-5.0-V-GREY	50100020121G	250
3	15.70	AK100/3DS-5.0-V-GREY	50100030121G	250
4	20.70	AK100/4DS-5.0-V-GREY	50100040121G	250
5	25.70	AK100/5DS-5.0-V-GREY	50100050121G	250
6	30.70	AK100/6DS-5.0-V-GREY	50100060121F	200
7	35.70	AK100/7DS-5.0-V-GREY	50100070121F	200
8	40.70	AK100/8DS-5.0-V-GREY	50100080121E	100
9	45.70	AK100/9DS-5.0-V-GREY	50100090121E	100
10	50.70	AK100/10DS-5.0-V-GREY	50100100121E	100
11	55.70	AK100/11DS-5.0-V-GREY	50100110121E	100
12	60.70	AK100/12DS-5.0-V-GREY	50100120121E	100

Accessories

Figure	Designation	Article Number
	Bridge, 2-pole, insulated, BR/2-5.0/5.08-LIGHT GREY	50000000006
	Bridge, 3-pole, insulated, BR/3-5.0/5.08-LIGHT GREY	50000000007
	Bridge, 2-pole, BR/2-5.0/5.08-L7.0	50000000008

See pages 214/215 for details and general accessories, and see pages 8/9 concerning services.

Ratings



Usegroup	B	C	D		
Rated Voltage	300 V	-	300 V	250 V	
Rated Current	20 A	-	10 A	24 A	
Rated Wire Size			min		max
solid	AWG 22-12	-	AWG 22-12	0.5 mm ²	2.5 mm ²
stranded	AWG 22-12	-	AWG 22-12	0.5 mm ²	2.5 mm ²
Torque	0.45 Nm	-	0.45 Nm	0.50 Nm	
Screw Size	M3	-	M3	M3	
Test Voltage	1.6 kV	-	1.6 kV	2.0 kV	


AKZ120/..DS-5.08-V-GREY



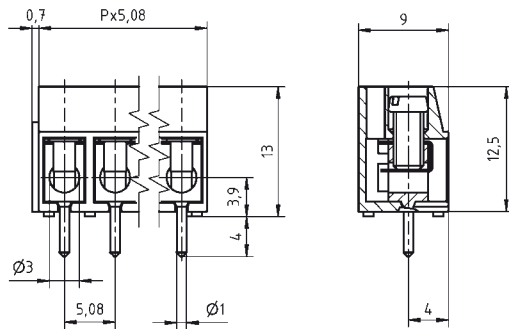
Technical Data

Wire Size		Insulating Material	
Solid min	0.2 mm ²	Material	PA 6.6
Solid max	4.0 mm ²	Flammability Class	UL 94 V-0
Stranded (flexible) min	0.2 mm ²	Temperatures	
Stranded (flexible) max	2.5 mm ²	Operating Temperature	-30 °C - 105 °C
Stranded with Ferrule min	0.2 mm ²	Wave Soldering Process	
Stranded with Ferrule max	2.5 mm ²	Soldering Temperature, recommended	265 °C
Dimensions		Peak Soldering Time, recommended	3-4 s
Stripped Length	7.0 mm	Reflow Process	
PCB Hole Diameter	1.3 mm	Soldering Temperature, recommended	-
Materials		Peak Soldering Time, recommended	-
Clamp	Brass		
Wire Guard	Stainless Steel		
Screw	Steel		

Colours

	GREY, RAL 7016		BLACK, RAL 9011
	BLUE, RAL 5015		




Colours according to RAL, there may be variations on colour due to production conditions. Special colours on request.



Order Data (Spacing 5.08 mm)



Poles	Width (mm)	Article Designation	Article Number	PU
2	10.86	AKZ120/2DS-5.08-V-GREY	50120020110G	250
3	15.94	AKZ120/3DS-5.08-V-GREY	50120030110G	250
4	21.02	AKZ120/4DS-5.08-V-GREY	50120040110G	250
5	26.10	AKZ120/5DS-5.08-V-GREY	50120050110G	250
6	31.18	AKZ120/6DS-5.08-V-GREY	50120060110F	200
7	36.26	AKZ120/7DS-5.08-V-GREY	50120070110F	200
8	41.34	AKZ120/8DS-5.08-V-GREY	50120080110E	100
9	46.42	AKZ120/9DS-5.08-V-GREY	50120090110E	100
10	51.50	AKZ120/10DS-5.08-V-GREY	50120100110E	100
11	56.58	AKZ120/11DS-5.08-V-GREY	50120110110E	100
12	61.66	AKZ120/12DS-5.08-V-GREY	50120120110E	100

Accessories

Figure	Designation	Article Number
	Bridge, 2-pole, insulated, BR/2-5.0/5.08-LIGHT GREY	50000000006
	Bridge, 3-pole, insulated, BR/3-5.0/5.08-LIGHT GREY	50000000007
	Bridge, 2-pole, BR/2-5.0/5.08-L7.0	50000000008

See pages 214/215 for details and general accessories, and see pages 8/9 concerning services.

Ratings

Usegroup	C 		D 		
	B	C	D		
Rated Voltage	300 V	-	300 V	250 V	
Rated Current	20 A	-	10 A	24 A	
Rated Wire Size				min max	
	solid	AWG 22-12	-	AWG 22-12	0.5 mm ² 2.5 mm ²
	stranded	AWG 22-12	-	AWG 22-12	0.5 mm ² 2.5 mm ²
Torque	0.45 Nm	-	0.45 Nm	0.50 Nm	
Screw Size	M3	-	M3	M3	
Test Voltage	1.6 kV	-	1.6 kV	2.0 kV	

AK100/..DS-5.0-V-GREY-BL



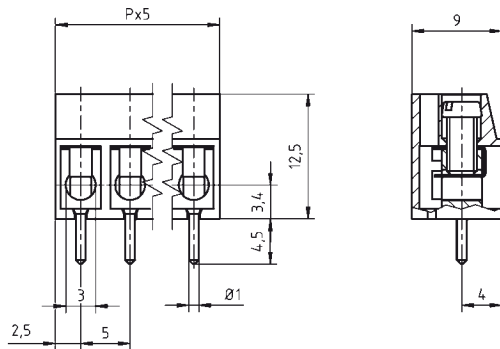
Technical Data

Wire Size		Insulating Material	
Solid min	0.2 mm ²	Material	PA 6.6
Solid max	4.0 mm ²	Flammability Class	UL 94 V-0
Stranded (flexible) min		Temperatures	
Stranded (flexible) max	0.2 mm ²	Operating Temperature	-30 °C - 105 °C
Stranded with Ferrule min	0.2 mm ²	Wave Soldering Process	
Stranded with Ferrule max	2.5 mm ²	Soldering Temperature, recommended	265 °C
Dimensions		Peak Soldering Time, recommended	3-4 s
Stripped Length	7.0 mm	Reflow Process	
PCB Hole Diameter	1.3 mm	Soldering Temperature, recommended	-
Materials		Peak Soldering Time, recommended	-
Clamp	Brass		
Wire Guard	Stainless Steel		
Screw	Steel		

Colours

■ GREY, RAL 7016




Colours according to RAL, there may be variations on colour due to production conditions. Special colours on request.



Order Data (Spacing 5.0 mm)

Poles	Width (mm)	Article Designation	Article Number	PU
2	10.00	AK100/2DS-5.0-V-GREY-BL	50100022121G	250
3	15.00	AK100/3DS-5.0-V-GREY-BL	50100032121G	250
4	20.00	AK100/4DS-5.0-V-GREY-BL	50100042121G	250
5	25.00	AK100/5DS-5.0-V-GREY-BL	50100052121G	250
6	30.00	AK100/6DS-5.0-V-GREY-BL	50100062121F	200
7	35.00	AK100/7DS-5.0-V-GREY-BL	50100072121F	200
8	40.00	AK100/8DS-5.0-V-GREY-BL	50100082121E	100
9	45.00	AK100/9DS-5.0-V-GREY-BL	50100092121E	100
10	50.00	AK100/10DS-5.0-V-GREY-BL	50100102121E	100
11	55.00	AK100/11DS-5.0-V-GREY-BL	50100112121E	100
12	60.00	AK100/12DS-5.0-V-GREY-BL	50100122121E	100

Accessories

Figure	Designation	Article Number
	Bridge, 2-pole, insulated, BR/2-5.0/5.08-LIGHT GREY	50000000006
	Bridge, 3-pole, insulated, BR/3-5.0/5.08-LIGHT GREY	50000000007
	Bridge, 2-pole, BR/2-5.0/5.08-L7.0	50000000008

See pages 214/215 for details and general accessories, and see pages 8/9 concerning services.

Ratings



Usegroup	B		C	D		
	Rated Voltage	Rated Current	Rated Voltage	Rated Current	Rated Voltage	
Rated Voltage	300 V	-	300 V	250 V	250 V	
Rated Current	20 A	-	10 A	24 A	24 A	
Rated Wire Size	solid	AWG 22-12	-	AWG 22-12	min 0.5 mm ²	max 2.5 mm ²
	stranded	AWG 22-12	-	AWG 22-12	0.5 mm ²	2.5 mm ²
Torque	0.45 Nm		-	0.50 Nm		
Screw Size	M3		-	M3		
Test Voltage	1.6 kV		-	1.6 kV		
			-	2.0 kV		

AK100/..DS-5.0-H-GREY



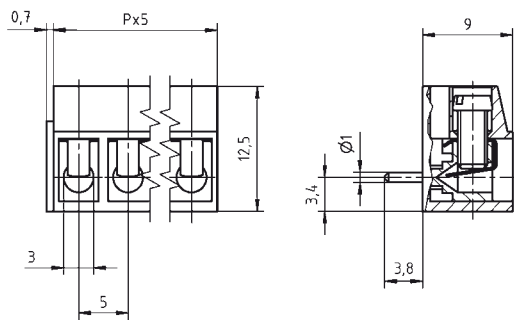
Technical Data

Wire Size		Insulating Material	
Solid min	0.2 mm ²	Material	PA 6.6
Solid max	4.0 mm ²	Flammability Class	UL 94 V-0
Stranded (flexible) min		Temperatures	
Stranded (flexible) max	2.5 mm ²	Operating Temperature	-30 °C - 105 °C
Stranded with Ferrule min		Wave Soldering Process	
Stranded with Ferrule max	2.5 mm ²	Soldering Temperature, recommended	265 °C 3-4 s
Dimensions		Reflow Process	
Stripped Length	6.0 mm	Soldering Temperature, recommended	-
PCB Hole Diameter	1.3 mm	Materials	
Clamp	Brass	Peak Soldering Time, recommended	-
Wire Guard	Stainless Steel		
Screw	Steel		

Colours

GREY, RAL 7016
 BLUE, RAL 5015




Colours according to RAL, there may be variations on colour due to production conditions. Special colours on request.



Order Data (Spacing 5.0 mm)

Poles	Width (mm)	Article Designation	Article Number	PU
2	10.70	AK100/2DS-5.0-H-GREY	50100020150G	250
3	15.70	AK100/3DS-5.0-H-GREY	50100030150G	250
4	20.70	AK100/4DS-5.0-H-GREY	50100040150G	250
5	25.70	AK100/5DS-5.0-H-GREY	50100050150G	250
6	30.70	AK100/6DS-5.0-H-GREY	50100060150F	200
7	35.70	AK100/7DS-5.0-H-GREY	50100070150F	200
8	40.70	AK100/8DS-5.0-H-GREY	50100080150E	100
9	45.70	AK100/9DS-5.0-H-GREY	50100090150E	100
10	50.70	AK100/10DS-5.0-H-GREY	50100100150E	100
11	55.70	AK100/11DS-5.0-H-GREY	50100110150E	100
12	60.70	AK100/12DS-5.0-H-GREY	50100120150E	100

Accessories

Figure	Designation	Article Number
	Bridge, 2-pole, insulated, BR/2-5.0/5.08-LIGHT GREY	50000000006
	Bridge, 3-pole, insulated, BR/3-5.0/5.08-LIGHT GREY	50000000007
	Bridge, 2-pole, BR/2-5.0/5.08-L7.0	50000000008

See pages 214/215 for details and general accessories, and see pages 8/9 concerning services.

Ratings



Usegroup	B	C	D		
Rated Voltage	300 V	-	300 V	250 V	
Rated Current	20 A	-	10 A	24 A	
Rated Wire Size			min		max
	solid	AWG 22-12	-	AWG 22-12	0.5 mm ² / 2.5 mm ²
	stranded	AWG 22-12	-	AWG 22-12	0.5 mm ² / 2.5 mm ²
Torque	0.45 Nm		0.45 Nm		0.50 Nm
Screw Size	M3		M3		M3
Test Voltage	1.6 kV		1.6 kV		2.0 kV

AKZ120/..DS-5.08-H-GREY



Technical Data

Wire Size		Insulating Material	
Solid min	0.2 mm ²	Material	PA 6.6
Solid max	4.0 mm ²	Flammability Class	UL 94 V-0
Stranded (flexible) min		Temperatures	
Stranded (flexible) min	0.2 mm ²	Operating Temperature	-30 °C - 105 °C
Stranded with Ferrule min		Wave Soldering Process	
Stranded with Ferrule min	0.2 mm ²	Soldering Temperature, recommended	265 °C
Stranded with Ferrule max		Peak Soldering Time, recommended	3-4 s
Stranded with Ferrule max	2.5 mm ²	Reflow Process	
Dimensions		Soldering Temperature, recommended	-
Stripped Length	6.0 mm	Peak Soldering Time, recommended	-
PCB Hole Diameter	1.3 mm	Materials	
Materials		Clamp	Brass
Clamp	Brass	Wire Guard	Stainless Steel
Wire Guard	Stainless Steel	Screw	Steel
Screw	Steel		

Colours

■ GREY, RAL 7016 ■ BLUE, RAL 5015

Colours according to RAL, there may be variations on colour due to production conditions. Special colours on request.

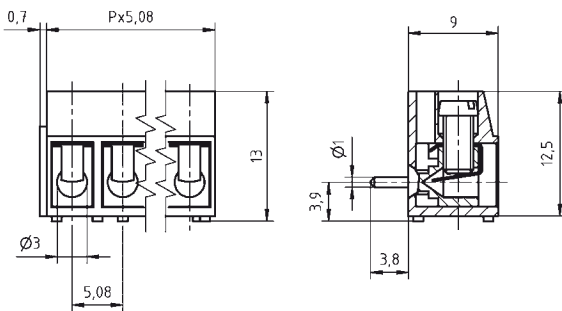
Order Data (Spacing 5.08 mm)

Poles	Width (mm)	Article Designation	Article Number	PU
2	10.86	AKZ120/2DS-5.08-H-GREY	50120020130G	250
3	15.94	AKZ120/3DS-5.08-H-GREY	50120030130G	250
4	21.02	AKZ120/4DS-5.08-H-GREY	50120040130G	250
5	26.10	AKZ120/5DS-5.08-H-GREY	50120050130G	250
6	31.18	AKZ120/6DS-5.08-H-GREY	50120060130F	200
7	36.26	AKZ120/7DS-5.08-H-GREY	50120070130F	200
8	41.34	AKZ120/8DS-5.08-H-GREY	50120080130E	100
9	46.42	AKZ120/9DS-5.08-H-GREY	50120090130E	100
10	51.50	AKZ120/10DS-5.08-H-GREY	50120100130E	100
11	56.58	AKZ120/11DS-5.08-H-GREY	50120110130E	100
12	61.66	AKZ120/12DS-5.08-H-GREY	50120120130E	100

Accessories

Figure	Designation	Article Number
	Bridge, 2-pole, insulated, BR/2-5.0/5.08-LIGHT GREY	50000000006
	Bridge, 3-pole, insulated, BR/3-5.0/5.08-LIGHT GREY	50000000007
	Bridge, 2-pole, BR/2-5.0/5.08-L7.0	50000000008

See pages 214/215 for details and general accessories, and see pages 8/9 concerning services.



Ratings



Usegroup	B	C	D			
Rated Voltage	300 V	-	300 V	250 V		
Rated Current	20 A	-	10 A	24 A		
Rated Wire Size					min	max
	solid	AWG 22-12	-	AWG 22-12	0.5 mm ²	2.5 mm ²
	stranded	AWG 22-12	-	AWG 22-12	0.5 mm ²	2.5 mm ²
Torque	0.45 Nm		-	0.50 Nm		
Screw Size	M3		-	M3		
Test Voltage	1.6 kV		-	1.6 kV		
					2.0 kV	

AK100/..DS-5.0-H-GREY-BL



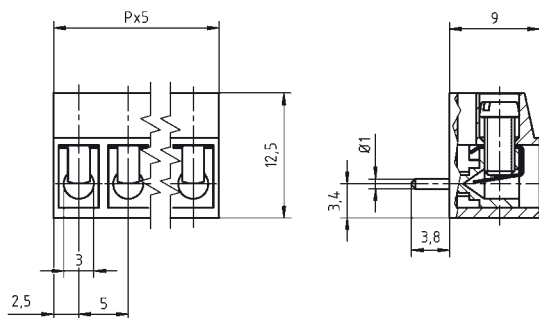
Technical Data

Wire Size		Insulating Material	
Solid min	0.2 mm ²	Material	PA 6.6
Solid max	4.0 mm ²	Flammability Class	UL 94 V-0
Stranded (flexible) min		Temperatures	
Stranded (flexible) max	0.2 mm ²	Operating Temperature	-30 °C - 105 °C
Stranded with Ferrule min		Wave Soldering Process	
Stranded with Ferrule max	0.2 mm ²	Soldering Temperature, recommended	265 °C
Stranded with Ferrule max		Peak Soldering Time, recommended	3-4 s
Dimensions		Reflow Process	
Stripped Length	6.0 mm	Soldering Temperature, recommended	-
PCB Hole Diameter	1.3 mm	Peak Soldering Time, recommended	-
Materials			
Clamp	Brass		
Wire Guard	Stainless Steel		
Screw	Steel		

Colours

■ GREY, RAL 7016




Colours according to RAL, there may be variations on colour due to production conditions. Special colours on request.



Order Data (Spacing 5.0 mm)

Poles	Width (mm)	Article Designation	Article Number	PU
2	10.00	AK100/2DS-5.0-H-GREY-BL	50100022150G	250
3	15.00	AK100/3DS-5.0-H-GREY-BL	50100032150G	250
4	20.00	AK100/4DS-5.0-H-GREY-BL	50100042150G	250
5	25.00	AK100/5DS-5.0-H-GREY-BL	50100052150G	250
6	30.00	AK100/6DS-5.0-H-GREY-BL	50100062150F	200
7	35.00	AK100/7DS-5.0-H-GREY-BL	50100072150F	200
8	40.00	AK100/8DS-5.0-H-GREY-BL	50100082150E	100
9	45.00	AK100/9DS-5.0-H-GREY-BL	50100092150E	100
10	50.00	AK100/10DS-5.0-H-GREY-BL	50100102150E	100
11	55.00	AK100/11DS-5.0-H-GREY-BL	50100112150E	100
12	60.00	AK100/12DS-5.0-H-GREY-BL	50100122150E	100

Accessories

Figure	Designation	Article Number
	Bridge, 2-pole, insulated, BR/2-5.0/5.08-LIGHT GREY	50000000006
	Bridge, 3-pole, insulated, BR/3-5.0/5.08-LIGHT GREY	50000000007
	Bridge, 2-pole, BR/2-5.0/5.08-L7.0	50000000008

See pages 214/215 for details and general accessories, and see pages 8/9 concerning services.

Ratings



Usegroup	B	C	D		
Rated Voltage	300 V	-	300 V	250 V	
Rated Current	20 A	-	10 A	24 A	
Rated Wire Size			min		max
	solid	AWG 22-12	-	AWG 22-12	0.5 mm ² / 2.5 mm ²
	stranded	AWG 22-12	-	AWG 22-12	0.5 mm ² / 2.5 mm ²
Torque	0.45 Nm		-	0.50 Nm	
Screw Size	M3		-	M3	
Test Voltage	1.6 kV		-	2.0 kV	

AK104/..DS-5.0-V-GREY



Technical Data

Wire Size		Insulating Material	
Solid min	0.2 mm ²	Material	PA 6.6
Solid max	4.0 mm ²	Flammability Class	UL 94 V-0
Stranded (flexible) min		Temperatures	
Stranded (flexible) min	0.2 mm ²	Operating Temperature	-30 °C - 105 °C
Stranded with Ferrule min		Wave Soldering Process	
Stranded with Ferrule min	0.2 mm ²	Soldering Temperature, recommended	265 °C
Stranded with Ferrule max		Peak Soldering Time, recommended	3-4 s
Stranded with Ferrule max	2.5 mm ²	Reflow Process	
Dimensions		Soldering Temperature, recommended	-
Stripped Length	7.0 mm	Peak Soldering Time, recommended	-
PCB Hole Diameter	2.0 mm x 2.8 mm	Materials	
Materials		Clamp	Brass
Clamp	Brass	Wire Guard	Stainless Steel
Wire Guard	Stainless Steel	Screw	Steel
Screw	Steel		

Colours

■ GREY, RAL 7016

Colours according to RAL, there may be variations on colour due to production conditions. Special colours on request.

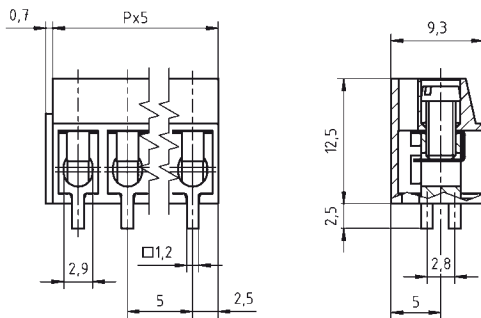
Order Data (Spacing 5.0 mm)

Poles	Width (mm)	Article Designation	Article Number	PU
2	10.70	AK104/2DS-5.0-V-GREY	50104020070G	250
3	15.70	AK104/3DS-5.0-V-GREY	50104030070G	250
4	20.70	AK104/4DS-5.0-V-GREY	50104040070G	250
5	25.70	AK104/5DS-5.0-V-GREY	50104050070G	250
6	30.70	AK104/6DS-5.0-V-GREY	50104060070F	200
7	35.70	AK104/7DS-5.0-V-GREY	50104070070F	200
8	40.70	AK104/8DS-5.0-V-GREY	50104080070E	100
9	45.70	AK104/9DS-5.0-V-GREY	50104090070E	100
10	50.70	AK104/10DS-5.0-V-GREY	50104100070E	100
11	55.70	AK104/11DS-5.0-V-GREY	50104110070E	100
12	60.70	AK104/12DS-5.0-V-GREY	50104120070E	100

Accessories

Figure	Designation	Article Number
	Bridge, 2-pole, insulated, BR/2-5.0/5.08-LIGHT GREY	50000000006
	Bridge, 3-pole, insulated, BR/3-5.0/5.08-LIGHT GREY	50000000007
	Bridge, 2-pole, BR/2-5.0/5.08-L7.0	50000000008

See pages 214/215 for details and general accessories, and see pages 8/9 concerning services.



Ratings



Usegroup	B		C		D	
	300 V	20 A	150 V	20 A	300 V	10 A
Rated Voltage	300 V		150 V		300 V	
Rated Current	20 A		20 A		10 A	
Rated Wire Size					min	max
	solid	AWG 22-12	AWG 22-12	AWG 22-12	0.5 mm ²	4.0 mm ²
	stranded	AWG 22-12	AWG 22-12	AWG 22-12	0.5 mm ²	4.0 mm ²
Torque	0.80 Nm		0.80 Nm		0.80 Nm	
Screw Size	M3		M3		M3	
Test Voltage	1.6 kV		1.6 kV		1.6 kV	
					2.0 kV	

AK500/..DS-5.0-V-GREY AKZ500/..DS-5.08-V-GREY



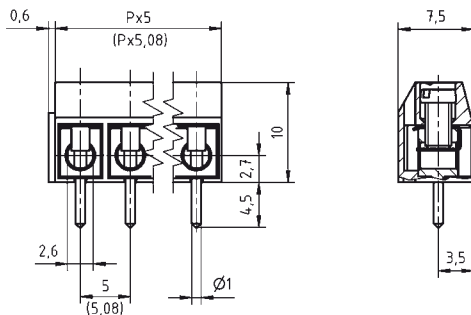
Technical Data

Wire Size		Insulating Material	
Solid min	0.2 mm ²	Material	PA 6.6
Solid max	1.5 mm ²	Flammability Class	UL 94 V-0
Stranded (flexible) min		Temperatures	
Stranded (flexible) max	1.5 mm ²	Operating Temperature	-30 °C - 105 °C
Stranded with Ferrule min		Wave Soldering Process	
Stranded with Ferrule max	1.5 mm ²	Soldering Temperature, recommended	265 °C
Dimensions		Peak Soldering Time, recommended	3-4 s
Stripped Length	6.0 mm	Reflow Process	
PCB Hole Diameter	1.3 mm	Soldering Temperature, recommended	-
Materials		Peak Soldering Time, recommended	-
Clamp	Brass		
Wire Guard	Stainless Steel		
Screw	Steel		

Colours

	GREY, RAL 7016		BLACK, RAL 9011
	GREEN, RAL 6018		BLUE, RAL 5015

Colours according to RAL, there may be variations on colour due to production conditions. Special colours on request.






Order Data (Spacing 5.0 mm)

Poles	Width (mm)	Article Designation	Article Number	PU
2	10.60	AK500/2DS-5.0-V-GREY	50500020121G	250
3	15.60	AK500/3DS-5.0-V-GREY	50500030121G	250
4	20.60	AK500/4DS-5.0-V-GREY	50500040121G	250
5	25.60	AK500/5DS-5.0-V-GREY	50500050121G	250
6	30.60	AK500/6DS-5.0-V-GREY	50500060121G	250
7	35.60	AK500/7DS-5.0-V-GREY	50500070121G	250
8	40.60	AK500/8DS-5.0-V-GREY	50500080121E	100
9	45.60	AK500/9DS-5.0-V-GREY	50500090121E	100
...
12	60.60	AK500/12DS-5.0-V-GREY	50500120121E	100

Order Data (Spacing 5.08 mm)



Poles	Width (mm)	Article Designation	Article Number	PU
2	10.76	AKZ500/2DS-5.08-V-GREY	50500020134G	250
3	15.84	AKZ500/3DS-5.08-V-GREY	50500030134G	250
4	20.92	AKZ500/4DS-5.08-V-GREY	50500040134G	250
5	26.00	AKZ500/5DS-5.08-V-GREY	50500050134G	250
6	31.08	AKZ500/6DS-5.08-V-GREY	50500060134G	250
7	36.16	AKZ500/7DS-5.08-V-GREY	50500070134G	250
8	41.24	AKZ500/8DS-5.08-V-GREY	50500080134E	100
9	46.32	AKZ500/9DS-5.08-V-GREY	50500090134E	100
...
12	61.56	AKZ500/12DS-5.08-V-GREY	50500120134E	100

Accessories

Figure	Designation	Article Number
	Bridge, 2-pole, insulated, BR/2-5.0/5.08-LIGHT GREY	50000000006
	Bridge, 3-pole, insulated, BR/3-5.0/5.08-LIGHT GREY	50000000007
	Bridge, 2-pole, BR/2-5.0/5.08-L7.0	50000000008

See pages 214/215 for details and general accessories, and see pages 8/9 concerning services.

Ratings

Usegroup	C 		D 		
	B	C	D		
Rated Voltage	300 V	-	300 V	250 V	
Rated Current	15 A	-	10 A	17.5 A	
Rated Wire Size				min max	
	solid	AWG 22-14	-	AWG 22-14	0.5 mm ² 1.5 mm ²
	stranded	AWG 22-14	-	AWG 22-14	0.5 mm ² 1.5 mm ²
Torque	0.40 Nm	-	0.40 Nm	0.40 Nm	
Screw Size	M2.6	-	M2.6	M2.6	
Test Voltage	1.6 kV	-	1.6 kV	2.0 kV	

AK500/..DS-5.0-V-GREY-BL



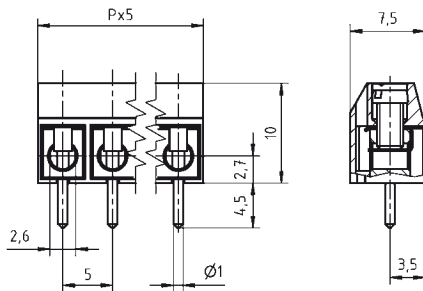
Technical Data

Wire Size		Insulating Material	
Solid min	0.2 mm ²	Material	PA 6.6
Solid max	1.5 mm ²	Flammability Class	UL 94 V-0
Stranded (flexible) min		Temperatures	
Stranded (flexible) max	0.2 mm ²	Operating Temperature	-30 °C - 105 °C
Stranded with Ferrule min		Wave Soldering Process	
Stranded with Ferrule max	0.2 mm ²	Soldering Temperature, recommended	265 °C
Stranded with Ferrule max		Peak Soldering Time, recommended	3-4 s
Dimensions		Reflow Process	
Stripped Length	6.0 mm	Soldering Temperature, recommended	-
PCB Hole Diameter	1.3 mm	Peak Soldering Time, recommended	-
Materials			
Clamp	Brass		
Wire Guard	Stainless Steel		
Screw	Steel		

Colours

	GREY, RAL 7016		BLACK, RAL 9011
	GREEN, RAL 6018		




Colours according to RAL, there may be variations on colour due to production conditions. Special colours on request.



Order Data (Spacing 5.0 mm)

Poles	Width (mm)	Article Designation	Article Number	PU
2	10.00	AK500/2DS-5.0-V-GREY-BL	50500023121G	250
3	15.00	AK500/3DS-5.0-V-GREY-BL	50500033121G	250
4	20.00	AK500/4DS-5.0-V-GREY-BL	50500043121G	250
5	25.00	AK500/5DS-5.0-V-GREY-BL	50500053121G	250
6	30.00	AK500/6DS-5.0-V-GREY-BL	50500063121G	250
7	35.00	AK500/7DS-5.0-V-GREY-BL	50500073121G	250
8	40.00	AK500/8DS-5.0-V-GREY-BL	50500083121E	100
9	45.00	AK500/9DS-5.0-V-GREY-BL	50500093121E	100
10	50.00	AK500/10DS-5.0-V-GREY-BL	50500103121E	100
11	55.00	AK500/11DS-5.0-V-GREY-BL	50500113121E	100
12	60.00	AK500/12DS-5.0-V-GREY-BL	50500123121E	100

Accessories

Figure	Designation	Article Number
	Bridge, 2-pole, insulated, BR/2-5.0/5.08-LIGHT GREY	50000000006
	Bridge, 3-pole, insulated, BR/3-5.0/5.08-LIGHT GREY	50000000007
	Bridge, 2-pole, BR/2-5.0/5.08-L7.0	50000000008

See pages 214/215 for details and general accessories, and see pages 8/9 concerning services.

Ratings



Usegroup	B	C	D		
Rated Voltage	300 V	-	300 V	250 V	
Rated Current	15 A	-	10 A	17.5 A	
Rated Wire Size			min		max
solid	AWG 22-14	-	AWG 22-14	0.5 mm ²	1.5 mm ²
stranded	AWG 22-14	-	AWG 22-14	0.5 mm ²	1.5 mm ²
Torque	0.40 Nm	-	0.40 Nm	0.40 Nm	
Screw Size	M2.6	-	M2.6	M2.6	
Test Voltage	1.6 kV	-	1.6 kV	2.0 kV	

AK500/..DS-5.0-H-GREY AKZ500/..DS-5.08-H-GREY



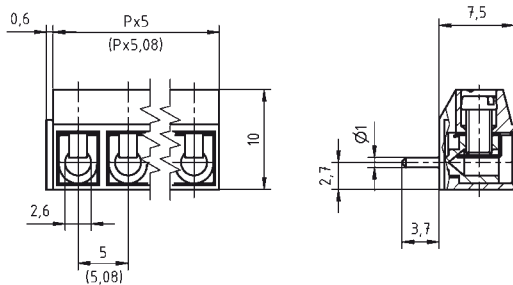
Technical Data

Wire Size		Insulating Material	
Solid min	0.2 mm ²	Material	PA 6.6
Solid max	1.5 mm ²	Flammability Class	UL 94 V-0
Stranded (flexible) min		Temperatures	
Stranded (flexible) max	0.2 mm ²	Operating Temperature	-30 °C - 105 °C
Stranded with Ferrule min		Wave Soldering Process	
Stranded with Ferrule max	0.2 mm ²	Soldering Temperature, recommended	265 °C
Stranded with Ferrule max		Peak Soldering Time, recommended	3-4 s
Dimensions		Reflow Process	
Stripped Length	5.0 mm	Soldering Temperature, recommended	-
PCB Hole Diameter	1.3 mm	Peak Soldering Time, recommended	-
Materials			
Clamp	Brass		
Wire Guard	Stainless Steel		
Screw	Steel		

Colours

■ GREY, RAL 7016 ■ BLUE, RAL 5015

Colours according to RAL, there may be variations on colour due to production conditions. Special colours on request.



Order Data (Spacing 5.0 mm)

Poles	Width (mm)	Article Designation	Article Number	PU
2	10.60	AK500/2DS-5.0-H-GREY	50500020171G	250
3	15.60	AK500/3DS-5.0-H-GREY	50500030171G	250
4	20.60	AK500/4DS-5.0-H-GREY	50500040171G	250
5	25.60	AK500/5DS-5.0-H-GREY	50500050171G	250
6	30.60	AK500/6DS-5.0-H-GREY	50500060171G	250
7	35.60	AK500/7DS-5.0-H-GREY	50500070171G	250
8	40.60	AK500/8DS-5.0-H-GREY	50500080171E	100
9	45.60	AK500/9DS-5.0-H-GREY	50500090171E	100
...
12	60.60	AK500/12DS-5.0-H-GREY	50500120171E	100

Order Data (Spacing 5.08 mm)

Poles	Width (mm)	Article Designation	Article Number	PU
2	10.76	AKZ500/2DS-5.08-H-GREY	50500020184G	250
3	15.84	AKZ500/3DS-5.08-H-GREY	50500030184G	250
4	20.92	AKZ500/4DS-5.08-H-GREY	50500040184G	250
5	26.00	AKZ500/5DS-5.08-H-GREY	50500050184G	250
6	31.08	AKZ500/6DS-5.08-H-GREY	50500060184G	250
7	36.16	AKZ500/7DS-5.08-H-GREY	50500070184G	250
8	41.24	AKZ500/8DS-5.08-H-GREY	50500080184E	100
9	46.32	AKZ500/9DS-5.08-H-GREY	50500090184E	100
...
12	61.56	AKZ500/12DS-5.08-H-GREY	50500120184E	100

Accessories

Figure	Designation	Article Number
	Bridge, 2-pole, insulated, BR/2-5.0/5.08-LIGHT GREY	50000000006
	Bridge, 3-pole, insulated, BR/3-5.0/5.08-LIGHT GREY	50000000007
	Bridge, 2-pole, BR/2-5.0/5.08-L7.0	50000000008

See pages 214/215 for details and general accessories, and see pages 8/9 concerning services.

Ratings

Usegroup	c RALUS		VDE		
	B	C	D		
Rated Voltage	300 V	-	300 V		250 V
Rated Current	15 A	-	10 A		17.5 A
Rated Wire Size				min	max
	solid	AWG 22-14	-	AWG 22-14	0.5 mm ² / 1.5 mm ²
	stranded	AWG 22-14	-	AWG 22-14	0.5 mm ² / 1.5 mm ²
Torque	0.40 Nm	-	0.40 Nm		0.40 Nm
Screw Size	M2.6	-	M2.6		M2.6
Test Voltage	1.6 kV	-	1.6 kV		2.0 kV

AK500/..DS-5.0-H-GREY-BL



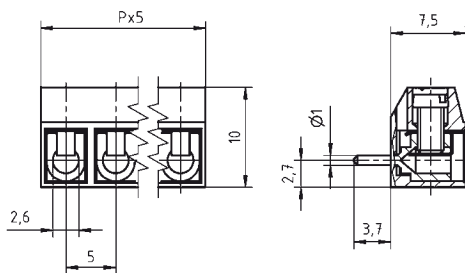
Technical Data

Wire Size		Insulating Material	
Solid min	0.2 mm ²	Material	PA 6.6
Solid max	1.5 mm ²	Flammability Class	UL 94 V-0
Stranded (flexible) min		Temperatures	
Stranded (flexible) min	0.2 mm ²	Operating Temperature	-30 °C - 105 °C
Stranded with Ferrule min		Wave Soldering Process	
Stranded with Ferrule min	0.2 mm ²	Soldering Temperature, recommended	265 °C
Stranded with Ferrule max		Peak Soldering Time, recommended	3-4 s
Stranded with Ferrule max	1.5 mm ²	Reflow Process	
Dimensions		Soldering Temperature, recommended	-
Stripped Length	6.0 mm	Peak Soldering Time, recommended	-
PCB Hole Diameter	1.3 mm	Materials	
Materials		Clamp	Brass
Clamp	Brass	Wire Guard	Stainless Steel
Wire Guard	Stainless Steel	Screw	Steel
Screw	Steel		

Colours

■ GREY, RAL 7016

Colours according to RAL, there may be variations on colour due to production conditions. Special colours on request.



Order Data (Spacing 5.0 mm)

Poles	Width (mm)	Article Designation	Article Number	PU
2	10.00	AK500/2DS-5.0-H-GREY-BL	50500023171G	250
3	15.00	AK500/3DS-5.0-H-GREY-BL	50500033171G	250
4	20.00	AK500/4DS-5.0-H-GREY-BL	50500043171G	250
5	25.00	AK500/5DS-5.0-H-GREY-BL	50500053171G	250
6	30.00	AK500/6DS-5.0-H-GREY-BL	50500063171G	250
7	35.00	AK500/7DS-5.0-H-GREY-BL	50500073171G	250
8	40.00	AK500/8DS-5.0-H-GREY-BL	50500083171E	100
9	45.00	AK500/9DS-5.0-H-GREY-BL	50500093171E	100
10	50.00	AK500/10DS-5.0-H-GREY-BL	50500103171E	100
11	55.00	AK500/11DS-5.0-H-GREY-BL	50500113171E	100
12	60.00	AK500/12DS-5.0-H-GREY-BL	50500123171E	100

Accessories

Figure	Designation	Article Number
	Bridge, 2-pole, insulated, BR/2-5.0/5.08-LIGHT GREY	50000000006
	Bridge, 3-pole, insulated, BR/3-5.0/5.08-LIGHT GREY	50000000007
	Bridge, 2-pole, BR/2-5.0/5.08-L7.0	50000000008

See pages 214/215 for details and general accessories, and see pages 8/9 concerning services.

Ratings



Usegroup	B	C	D		
Rated Voltage	300 V	-	300 V	250 V	
Rated Current	15 A	-	10 A	17.5 A	
Rated Wire Size			min		max
solid	AWG 22-14	-	AWG 22-14	0.5 mm ²	1.5 mm ²
stranded	AWG 22-14	-	AWG 22-14	0.5 mm ²	1.5 mm ²
Torque	0.40 Nm	-	0.40 Nm	0.40 Nm	
Screw Size	M2.6	-	M2.6	M2.6	
Test Voltage	1.6 kV	-	1.6 kV	2.0 kV	

AK590/..DS-5.0-GREY



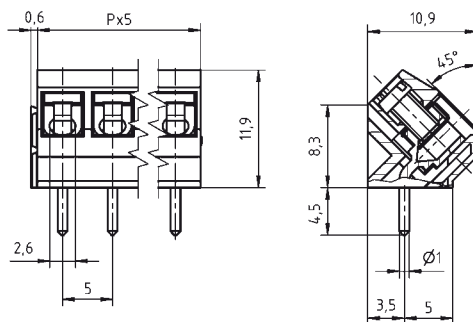
Technical Data

Wire Size		Insulating Material	
Solid min	0.2 mm ²	Material	PA 6.6
Solid max	1.5 mm ²	Flammability Class	UL 94 V-0
Stranded (flexible) min	0.2 mm ²	Temperatures	
Stranded (flexible) max	1.5 mm ²	Operating Temperature	-30 °C - 105 °C
Stranded with Ferrule min	0.2 mm ²	Wave Soldering Process	
Stranded with Ferrule max	1.5 mm ²	Soldering Temperature, recommended	265 °C
Dimensions		Peak Soldering Time, recommended	3-4 s
Stripped Length	6.0 mm	Reflow Process	
PCB Hole Diameter	1.3 mm	Soldering Temperature, recommended	-
Materials		Peak Soldering Time, recommended	-
Clamp	Brass		
Wire Guard	Stainless Steel		
Screw	Steel		

Colours

	GREY, RAL 7016		BLUE, RAL 5015
	LIGHT GREEN, similar RAL 6018		




Colours according to RAL, there may be variations on colour due to production conditions. Special colours on request.



Order Data (Spacing 5.0 mm)

Poles	Width (mm)	Article Designation	Article Number	PU
2	10.60	AK590/2DS-5.0-GREY	50590020121G	250
3	15.60	AK590/3DS-5.0-GREY	50590030121G	250
4	20.60	AK590/4DS-5.0-GREY	50590040121G	250
5	25.60	AK590/5DS-5.0-GREY	50590050121G	250
6	30.60	AK590/6DS-5.0-GREY	50590060121G	250
7	35.60	AK590/7DS-5.0-GREY	50590070121G	250
8	40.60	AK590/8DS-5.0-GREY	50590080121E	100
9	45.60	AK590/9DS-5.0-GREY	50590090121E	100
10	50.60	AK590/10DS-5.0-GREY	50590100121E	100
11	55.60	AK590/11DS-5.0-GREY	50590110121E	100
12	60.60	AK590/12DS-5.0-GREY	50590120121E	100

Accessories

Figure	Designation	Article Number
	Bridge, 2-pole, insulated, BR/2-5.0/5.08-LIGHT GREY	50000000006
	Bridge, 3-pole, insulated, BR/3-5.0/5.08-LIGHT GREY	50000000007
	Bridge, 2-pole, BR/2-5.0/5.08-L7.0	50000000008

See pages 214/215 for details and general accessories, and see pages 8/9 concerning services.

Ratings



Usegroup	B	C	D		
Rated Voltage	300 V	-	300 V	250 V	
Rated Current	15 A	-	10 A	17.5 A	
Rated Wire Size			min		max
	solid	AWG 22-14	-	AWG 22-14	0.5 mm ² 1.5 mm ²
	stranded	AWG 22-14	-	AWG 22-14	0.5 mm ² 1.5 mm ²
Torque	0.40 Nm		-	0.40 Nm	0.40 Nm
Screw Size	M2.6		-	M2.6	M2.6
Test Voltage	1.6 kV		-	1.6 kV	2.0 kV


AK550/..DS-7.0-V-GREY



Technical Data

Wire Size		Insulating Material	
Solid min	0.08 mm ²	Material	PA 6.6
Solid max	1.5 mm ²	Flammability Class	UL 94 V-0
Stranded (flexible) min	0.08 mm ²	Temperatures	
Stranded (flexible) max	1.0 mm ²	Operating Temperature	-30 °C - 105 °C
Stranded with Ferrule min	0.14 mm ²	Wave Soldering Process	
Stranded with Ferrule max	0.5 mm ²	Soldering Temperature, recommended	265 °C
Dimensions		Peak Soldering Time, recommended	3-4 s
Stripped Length	5.5 mm	Reflow Process	
PCB Hole Diameter	1.2 mm	Soldering Temperature, recommended	-
Materials		Peak Soldering Time, recommended	-
Clamp	Brass		
Wire Guard	Stainless Steel		
Screw	Steel		

Colours


	GREY, RAL 7016		PEBBLE GREY, RAL 7032
	GREEN, RAL 6018		LIGHT GREEN, similar RAL 6018

Colours according to RAL, there may be variations on colour due to production conditions. Special colours on request.

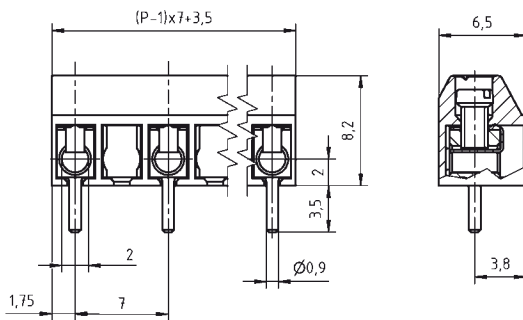
Order Data (Spacing 7.0 mm)

Poles	Width (mm)	Article Designation	Article Number	PU
2	10.50	AK550/2DS-7.0-V-GREY	50550020211G	250
3	17.50	AK550/3DS-7.0-V-GREY	50550030211G	250
4	24.50	AK550/4DS-7.0-V-GREY	50550040211G	250
5	31.50	AK550/5DS-7.0-V-GREY	50550050211E	100
6	38.50	AK550/6DS-7.0-V-GREY	50550060211D	50
7	45.50	AK550/7DS-7.0-V-GREY	50550070211D	50
8	52.50	AK550/8DS-7.0-V-GREY	50550080211D	50

Accessories

Figure	Designation	Article Number
	Bridge, 2-pole, insulated, BRV2-7.0/7.62-L7.5-LIGHT GREY	50000000018

See pages 214/215 for details and general accessories, and see pages 8/9 concerning services.



Ratings

Usegroup	c ALUS			VDE	
	B	C	D	450 V	
Rated Voltage	300 V	150 V	300 V	450 V	
Rated Current	6 A	6 A	6 A	13.5 A	
Rated Wire Size			min		max
	solid	AWG 28-16	AWG 28-16	0.5 mm ²	1.0 mm ²
	stranded	AWG 28-16	AWG 28-16	0.5 mm ²	1.0 mm ²
Torque	0.25 Nm	0.25 Nm	0.25 Nm	0.20 Nm	
Screw Size	M2	M2	M2	M2	
Test Voltage	1.6 kV	1.6 kV	1.6 kV	2.5 kV	

AK550/..DS-7.0-H-GREY



Technical Data

Wire Size		Insulating Material	
Solid min	0.08 mm ²	Material	PA 6.6
Solid max	1.5 mm ²	Flammability Class	UL 94 V-0
Stranded (flexible) min	0.08 mm ²	Temperatures	
Stranded (flexible) max	1.0 mm ²	Operating Temperature	-30 °C - 105 °C
Stranded with Ferrule min	0.14 mm ²	Wave Soldering Process	
Stranded with Ferrule max	0.5 mm ²	Soldering Temperature, recommended	265 °C
Dimensions		Peak Soldering Time, recommended	3-4 s
Stripped Length	5.5 mm	Reflow Process	
PCB Hole Diameter	1.2 mm	Soldering Temperature, recommended	-
Materials		Peak Soldering Time, recommended	-
Clamp	Brass		
Wire Guard	Stainless Steel		
Screw	Steel		

Colours

	GREY, RAL 7016		GREEN, RAL 6018
	LIGHT GREEN, similar RAL 6018		

Colours according to RAL, there may be variations on colour due to production conditions. Special colours on request.

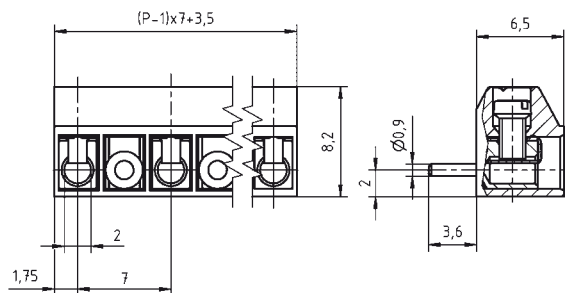
Order Data (Spacing 7.0 mm)

Poles	Width (mm)	Article Designation	Article Number	PU
2	10.50	AK550/2DS-7.0-H-GREY	50550020240G	250
3	17.50	AK550/3DS-7.0-H-GREY	50550030240G	250
4	24.50	AK550/4DS-7.0-H-GREY	50550040240G	250
5	31.50	AK550/5DS-7.0-H-GREY	50550050240E	100
6	38.50	AK550/6DS-7.0-H-GREY	50550060240D	50
7	45.50	AK550/7DS-7.0-H-GREY	50550070240D	50
8	52.50	AK550/8DS-7.0-H-GREY	50550080240D	50

Accessories

Figure	Designation	Article Number
	Bridge, 2-pole, insulated, BRI/2-7.0/7.62-L7.5-LIGHT GREY	50000000018

See pages 214/215 for details and general accessories, and see pages 8/9 concerning services.



Ratings

Usegroup	c RALUS			VDE		
	B	C	D			
Rated Voltage	300 V	150 V	300 V	450 V		
Rated Current	6 A	6 A	6 A	13.5 A		
Rated Wire Size				min	max	
	solid	AWG 28-16	AWG 28-16	AWG 28-16	0.5 mm ²	1.0 mm ²
	stranded	AWG 28-16	AWG 28-16	AWG 28-16	0.5 mm ²	1.0 mm ²
Torque	0.25 Nm	0.25 Nm	0.25 Nm	0.20 Nm		
Screw Size	M2	M2	M2	M2		
Test Voltage	1.6 kV	1.6 kV	1.6 kV	2.5 kV		

AK110/..DS-7.5-V-GREY



Technical Data

Wire Size		Insulating Material	
Solid min	0.2 mm ²	Material	PA 6.6
Solid max	4.0 mm ²	Flammability Class	UL 94 V-0
Stranded (flexible) min		Temperatures	
Stranded (flexible) max	0.2 mm ²	Operating Temperature	-30 °C - 105 °C
Stranded with Ferrule min	0.2 mm ²	Wave Soldering Process	
Stranded with Ferrule max	2.5 mm ²	Soldering Temperature, recommended	265 °C
Dimensions		Peak Soldering Time, recommended	3-4 s
Stripped Length	7.0 mm	Reflow Process	
PCB Hole Diameter	1.3 mm	Soldering Temperature, recommended	-
Materials		Peak Soldering Time, recommended	-
Clamp	Brass		
Wire Guard	Stainless Steel		
Screw	Steel		

Colours


	GREY, RAL 7016		BLACK, RAL 9011
	RED, RAL 3003		LIGHT GREEN, similar RAL 6018

Colours according to RAL, there may be variations on colour due to production conditions. Special colours on request.

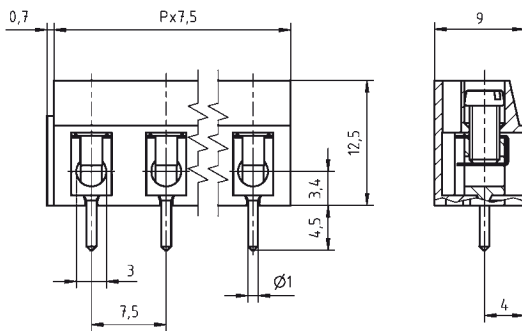
Order Data (Spacing 7.5 mm)

Poles	Width (mm)	Article Designation	Article Number	PU
2	15.70	AK110/2DS-7.5-V-GREY	50110020070F	200
3	23.20	AK110/3DS-7.5-V-GREY	50110030070F	200
4	30.70	AK110/4DS-7.5-V-GREY	50110040070F	200
5	38.20	AK110/5DS-7.5-V-GREY	50110050070E	100
6	45.70	AK110/6DS-7.5-V-GREY	50110060070E	100
7	53.20	AK110/7DS-7.5-V-GREY	50110070070E	100
8	60.70	AK110/8DS-7.5-V-GREY	50110080070E	100
9	68.20	AK110/9DS-7.5-V-GREY	50110090070E	100
10	75.70	AK110/10DS-7.5-V-GREY	50110100070D	50
11	83.20	AK110/11DS-7.5-V-GREY	50110110070D	50
12	90.70	AK110/12DS-7.5-V-GREY	50110120070D	50

Accessories

Figure	Designation	Article Number
	Bridge, 2-pole, insulated, BRV2-7.5-7.62-L8.2-LIGHT GREY	50000000017

See pages 214/215 for details and general accessories, and see pages 8/9 concerning services.



Ratings

Usegroup	c RALUS			VDE	
	B	C	D		
Rated Voltage	300 V	150 V	-	500 V	
Rated Current	20 A	20 A	-	24 A	
Rated Wire Size				min	max
	solid	AWG 22-14	AWG 22-14	0.5 mm ²	2.5 mm ²
	stranded	AWG 22-14	AWG 22-14	0.5 mm ²	2.5 mm ²
Torque	0.45 Nm	0.45 Nm	-	0.50 Nm	
Screw Size	M3	M3	-	M3	
Test Voltage	1.6 kV	1.6 kV	-	3.0 kV	


AK110/..DS-7.5-H-GREY



Technical Data

Wire Size		Insulating Material	
Solid min	0.2 mm ²	Material	PA 6.6
Solid max	4.0 mm ²	Flammability Class	UL 94 V-0
Stranded (flexible) min		Temperatures	
Stranded (flexible) max	2.5 mm ²	Operating Temperature	-30 °C - 105 °C
Stranded with Ferrule min		Wave Soldering Process	
Stranded with Ferrule max	2.5 mm ²	Soldering Temperature, recommended	265 °C
Dimensions		Peak Soldering Time, recommended	3-4 s
Stripped Length	6.0 mm	Reflow Process	
PCB Hole Diameter	1.3 mm	Soldering Temperature, recommended	-
Materials		Peak Soldering Time, recommended	-
Clamp	Brass		
Wire Guard	Stainless Steel		
Screw	Steel		

Colours

	GREY, RAL 7016		BLACK, RAL 9011
	RED, RAL 3003		LIGHT GREEN, similar RAL 6018

Colours according to RAL, there may be variations on colour due to production conditions. Special colours on request.

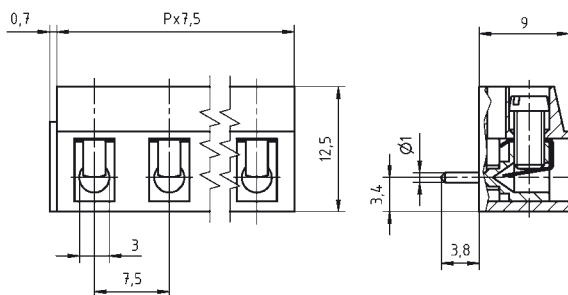
Order Data (Spacing 7.5 mm)

Poles	Width (mm)	Article Designation	Article Number	PU
2	15.70	AK110/2DS-7.5-H-GREY	50110020100F	200
3	23.20	AK110/3DS-7.5-H-GREY	50110030100F	200
4	30.70	AK110/4DS-7.5-H-GREY	50110040100F	200
5	38.20	AK110/5DS-7.5-H-GREY	50110050100E	100
6	45.70	AK110/6DS-7.5-H-GREY	50110060100E	100
7	53.20	AK110/7DS-7.5-H-GREY	50110070100E	100
8	60.70	AK110/8DS-7.5-H-GREY	50110080100E	100
9	68.20	AK110/9DS-7.5-H-GREY	50110090100E	100
10	75.70	AK110/10DS-7.5-H-GREY	50110100100D	50
11	83.20	AK110/11DS-7.5-H-GREY	50110110100D	50
12	90.70	AK110/12DS-7.5-H-GREY	50110120100D	50



Accessories

Figure	Designation	Article Number
	Bridge, 2-pole, insulated, BRI/2-7.5-7.62-L8.2-LIGHT GREY	50000000017

See pages 214/215 for details and general accessories, and see pages 8/9 concerning services.



Ratings

Usegroup	C 		D		
	B	C		500 V	
Rated Voltage	300 V	150 V	-	500 V	
Rated Current	20 A	20 A	-	24 A	
Rated Wire Size				min	max
	solid	AWG 22-14	AWG 22-14	0.5 mm ²	2.5 mm ²
	stranded	AWG 22-14	AWG 22-14	0.5 mm ²	2.5 mm ²
Torque	0.45 Nm		-	0.50 Nm	
Screw Size	M3		-	M3	
Test Voltage	1.6 kV		-	3.0 kV	

AK114/..DS-7.5-V-GREY



Technical Data

Wire Size		Insulating Material	
Solid min	0.2 mm ²	Material	PA 6.6
Solid max	4.0 mm ²	Flammability Class	UL 94 V-0
Stranded (flexible) min		Temperatures	
Stranded (flexible) max	0.2 mm ²	Operating Temperature	-30 °C - 105 °C
Stranded with Ferrule min		Wave Soldering Process	
Stranded with Ferrule max	0.2 mm ²	Soldering Temperature, recommended	265 °C
Stranded with Ferrule max		Peak Soldering Time, recommended	3-4 s
Dimensions		Reflow Process	
Stripped Length	7.0 mm	Soldering Temperature, recommended	-
PCB Hole Diameter	2.0 mm x 2.8 mm	Peak Soldering Time, recommended	-
Materials			
Clamp	Brass		
Wire Guard	Stainless Steel		
Screw	Steel		

Colours


■ GREY, RAL 7016

Colours according to RAL, there may be variations on colour due to production conditions. Special colours on request.

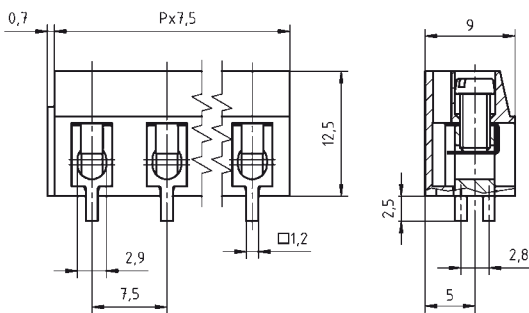
Order Data (Spacing 7.5 mm)

Poles	Width (mm)	Article Designation	Article Number	PU
2	15.70	AK114/2DS-7.5-V-GREY	50114020070F	200
3	23.20	AK114/3DS-7.5-V-GREY	50114030070F	200
4	30.70	AK114/4DS-7.5-V-GREY	50114040070F	200
5	38.20	AK114/5DS-7.5-V-GREY	50114050070E	100
6	45.70	AK114/6DS-7.5-V-GREY	50114060070E	100
7	53.20	AK114/7DS-7.5-V-GREY	50114070070E	100
8	60.70	AK114/8DS-7.5-V-GREY	50114080070E	100
9	68.20	AK114/9DS-7.5-V-GREY	50114090070E	100
10	75.70	AK114/10DS-7.5-V-GREY	50114100070D	50
11	83.20	AK114/11DS-7.5-V-GREY	50114110070D	50
12	90.70	AK114/12DS-7.5-V-GREY	50114120070D	50

Accessories

Figure	Designation	Article Number
	Bridge, 2-pole, insulated, BRI/2-7.5-7.62-L8.2-LIGHT GREY	50000000017

See pages 214/215 for details and general accessories, and see pages 8/9 concerning services.



Ratings



Usegroup	B	C	D		
Rated Voltage	300 V	150 V	300 V	500 V	
Rated Current	20 A	20 A	10 A	32 A	
Rated Wire Size			min		max
	solid	AWG 22-12	AWG 22-12	AWG 22-12	0.5 mm ² / 4.0 mm ²
	stranded	AWG 22-12	AWG 22-12	AWG 22-12	0.5 mm ² / 4.0 mm ²
Torque	0.80 Nm		0.80 Nm		0.50 Nm
Screw Size	M3		M3		M3
Test Voltage	1.6 kV		1.6 kV		3.0 kV


AK100/..DS-10.0-V-GREY



Technical Data

Wire Size		Insulating Material	
Solid min	0.2 mm ²	Material	PA 6.6
Solid max	4.0 mm ²	Flammability Class	UL 94 V-0
Stranded (flexible) min		Temperatures	
Stranded (flexible) max	0.2 mm ²	Operating Temperature	-30 °C - 105 °C
Stranded with Ferrule min		Wave Soldering Process	
Stranded with Ferrule max	0.2 mm ²	Soldering Temperature, recommended	265 °C
Stranded with Ferrule max		Peak Soldering Time, recommended	3-4 s
Dimensions		Reflow Process	
Stripped Length	7.0 mm	Soldering Temperature, recommended	-
PCB Hole Diameter	1.3 mm	Peak Soldering Time, recommended	-
Materials			
Clamp	Brass		
Wire Guard	Stainless Steel		
Screw	Steel		

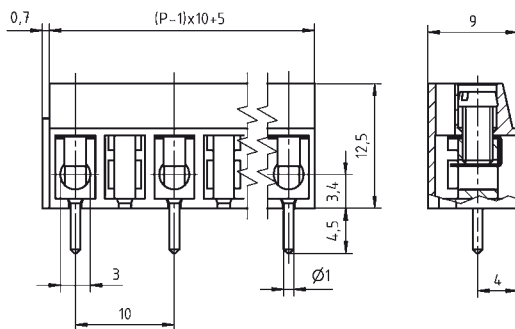
Colours

	GREY, RAL 7016		BLACK, RAL 9011
	BLUE, RAL 5015		

Colours according to RAL, there may be variations on colour due to production conditions. Special colours on request.

Order Data (Spacing 10.0 mm)

Poles	Width (mm)	Article Designation	Article Number	PU
2	15.70	AK100/2DS-10.0-V-GREY	50100020190G	250
3	25.70	AK100/3DS-10.0-V-GREY	50100030190G	250
4	35.70	AK100/4DS-10.0-V-GREY	50100040190F	200
5	45.70	AK100/5DS-10.0-V-GREY	50100050190E	100
6	55.70	AK100/6DS-10.0-V-GREY	50100060190E	100
7	65.70	AK100/7DS-10.0-V-GREY	50100070190D	50
8	75.70	AK100/8DS-10.0-V-GREY	50100080190D	50
9	85.70	AK100/9DS-10.0-V-GREY	50100090190D	50
10	95.70	AK100/10DS-10.0-V-GREY	50100100190D	50
11	105.70	AK100/11DS-10.0-V-GREY	50100110190D	50
12	115.70	AK100/12DS-10.0-V-GREY	50100120190D	50



Ratings



Usegroup	B	C	D	750 V	
Rated Voltage	300 V	150 V	300 V	750 V	
Rated Current	20 A	20 A	10 A	24 A	
Rated Wire Size				min	max
	solid	AWG 22-12	AWG 22-12	AWG 22-12	0.5 mm ²
	stranded	AWG 22-12	AWG 22-12	AWG 22-12	2.5 mm ²
Torque	0.45 Nm		0.45 Nm	0.50 Nm	
Screw Size	M3		M3	M3	
Test Voltage	1.6 kV		1.6 kV	3.5 kV	

AKZ120/..DS-10.16-V-GREY



Technical Data

Wire Size		Insulating Material	
Solid min	0.2 mm ²	Material	PA 6.6
Solid max	4.0 mm ²	Flammability Class	UL 94 V-0
Stranded (flexible) min	0.2 mm ²	Temperatures	
Stranded (flexible) max	2.5 mm ²	Operating Temperature	-30 °C - 105 °C
Stranded with Ferrule min	0.2 mm ²	Wave Soldering Process	
Stranded with Ferrule max	2.5 mm ²	Soldering Temperature, recommended	265 °C
Dimensions		Peak Soldering Time, recommended	3-4 s
Stripped Length	7.0 mm	Reflow Process	
PCB Hole Diameter	1.3 mm	Soldering Temperature, recommended	-
Materials		Peak Soldering Time, recommended	-
Clamp	Brass		
Wire Guard	Stainless Steel		
Screw	Steel		

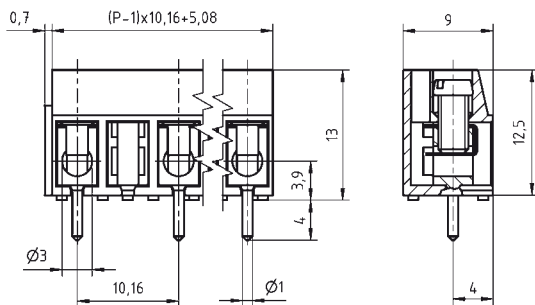
Colours

	GREY, RAL 7016		BLACK, RAL 9011
	BLUE, RAL 5015		

Colours according to RAL, there may be variations on colour due to production conditions. Special colours on request.

Order Data (Spacing 10.16 mm)

Poles	Width (mm)	Article Designation	Article Number	PU
2	15.94	AKZ120/2DS-10.16-V-GREY	50120020150G	250
3	26.10	AKZ120/3DS-10.16-V-GREY	50120030150G	250
4	36.26	AKZ120/4DS-10.16-V-GREY	50120040150F	200
5	46.42	AKZ120/5DS-10.16-V-GREY	50120050150E	100
6	56.58	AKZ120/6DS-10.16-V-GREY	50120060150E	100



Ratings



Usegroup	B	C	D		
Rated Voltage	300 V	150 V	300 V	750 V	
Rated Current	20 A	20 A	10 A	24 A	
Rated Wire Size				min	max
	solid	AWG 22-12	AWG 22-12	AWG 22-12	0.5 mm ² / 2.5 mm ²
	stranded	AWG 22-12	AWG 22-12	AWG 22-12	0.5 mm ² / 2.5 mm ²
Torque	0.45 Nm			0.50 Nm	
Screw Size	M3			M3	
Test Voltage	1.6 kV			3.5 kV	

AK100/..DS-10.0-V-GREY-BL



Technical Data

Wire Size		Insulating Material	
Solid min	0.2 mm ²	Material	PA 6.6
Solid max	4.0 mm ²	Flammability Class	UL 94 V-0
Stranded (flexible) min	0.2 mm ²	Temperatures	
Stranded (flexible) max	2.5 mm ²	Operating Temperature	-30 °C - 105 °C
Stranded with Ferrule min	0.2 mm ²	Wave Soldering Process	
Stranded with Ferrule max	2.5 mm ²	Soldering Temperature, recommended	265 °C
Dimensions		Peak Soldering Time, recommended	3-4 s
Stripped Length	7.0 mm	Reflow Process	
PCB Hole Diameter	1.3 mm	Soldering Temperature, recommended	-
Materials		Peak Soldering Time, recommended	-
Clamp	Brass		
Wire Guard	Stainless Steel		
Screw	Steel		

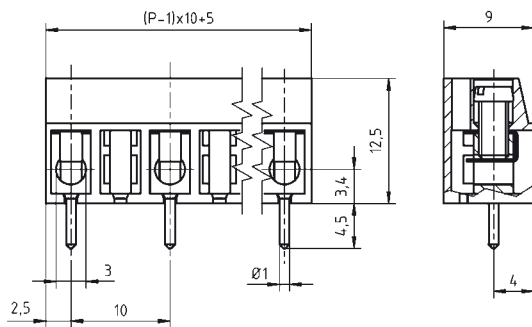
Colours

■ GREY, RAL 7016

Colours according to RAL, there may be variations on colour due to production conditions. Special colours on request.

Order Data (Spacing 10.0 mm)

Poles	Width (mm)	Article Designation	Article Number	PU
2	15.00	AK100/2DS-10.0-V-GREY-BL	50100022190G	250
3	25.00	AK100/3DS-10.0-V-GREY-BL	50100032190G	250
4	35.00	AK100/4DS-10.0-V-GREY-BL	50100042190F	200
5	45.00	AK100/5DS-10.0-V-GREY-BL	50100052190E	100
6	55.00	AK100/6DS-10.0-V-GREY-BL	50100062190E	100



Ratings



Usegroup	B	C	D		
Rated Voltage	300 V	150 V	300 V	750 V	
Rated Current	20 A	20 A	10 A	24 A	
Rated Wire Size				min	max
	solid	AWG 22-12	AWG 22-12	AWG 22-12	0.5 mm ² / 2.5 mm ²
	stranded	AWG 22-12	AWG 22-12	AWG 22-12	0.5 mm ² / 2.5 mm ²
Torque	0.45 Nm			0.50 Nm	
Screw Size	M3			M3	
Test Voltage	1.6 kV			3.5 kV	

AK100/..DS-10.0-H-GREY



Technical Data

Wire Size		Insulating Material	
Solid min	0.2 mm ²	Material	PA 6.6
Solid max	4.0 mm ²	Flammability Class	UL 94 V-0
Stranded (flexible) min		Temperatures	
0.2 mm ²		Operating Temperature	-30 °C - 105 °C
Stranded (flexible) max		Wave Soldering Process	
2.5 mm ²		Soldering Temperature, recommended	265 °C
Stranded with Ferrule min		Peak Soldering Time, recommended	3-4 s
0.2 mm ²		Reflow Process	
Stranded with Ferrule max		Soldering Temperature, recommended	-
2.5 mm ²		Peak Soldering Time, recommended	-
Dimensions			
Stripped Length	6.0 mm		
PCB Hole Diameter	1.3 mm		
Materials			
Clamp	Brass		
Wire Guard	Stainless Steel		
Screw	Steel		

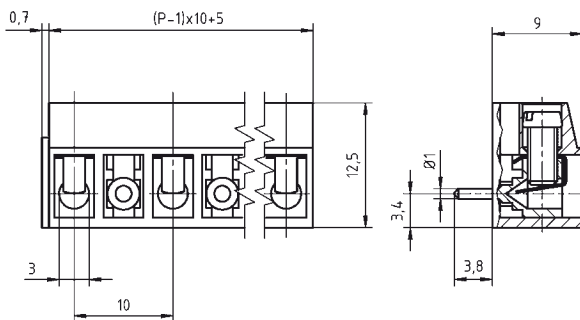
Colours

■ GREY, RAL 7016 ■ BLUE, RAL 5015

Colours according to RAL, there may be variations on colour due to production conditions. Special colours on request.

Order Data (Spacing 10.0 mm)

Poles	Width (mm)	Article Designation	Article Number	PU
2	15.70	AK100/2DS-10.0-H-GREY	50100020240G	250
3	25.70	AK100/3DS-10.0-H-GREY	50100030240G	250
4	35.70	AK100/4DS-10.0-H-GREY	50100040240F	200
5	45.70	AK100/5DS-10.0-H-GREY	50100050240E	100
6	55.70	AK100/6DS-10.0-H-GREY	50100060240E	100
7	65.70	AK100/7DS-10.0-H-GREY	50100070240D	50
8	75.70	AK100/8DS-10.0-H-GREY	50100080240D	50
9	85.70	AK100/9DS-10.0-H-GREY	50100090240D	50
10	95.70	AK100/10DS-10.0-H-GREY	50100100240D	50
11	105.70	AK100/11DS-10.0-H-GREY	50100110240D	50
12	115.70	AK100/12DS-10.0-H-GREY	50100120240D	50



Ratings



Usegroup	B	C	D		
Rated Voltage	300 V	150 V	300 V	750 V	
Rated Current	20 A	20 A	10 A	24 A	
Rated Wire Size				min	max
solid	AWG 22-12	AWG 22-12	AWG 22-12	0.5 mm ²	2.5 mm ²
stranded	AWG 22-12	AWG 22-12	AWG 22-12	0.5 mm ²	2.5 mm ²
Torque	0.45 Nm	0.45 Nm	0.45 Nm	0.50 Nm	
Screw Size	M3	M3	M3	M3	
Test Voltage	1.6 kV	1.6 kV	1.6 kV	3.5 kV	

AKZ120/..DS-10.16-H-GREY



Technical Data

Wire Size		Insulating Material	
Solid min	0.2 mm ²	Material	PA 6.6
Solid max	4.0 mm ²	Flammability Class	UL 94 V-0
Stranded (flexible) min	0.2 mm ²	Temperatures	
Stranded (flexible) max	2.5 mm ²	Operating Temperature	-30 °C - 105 °C
Stranded with Ferrule min	0.2 mm ²	Wave Soldering Process	
Stranded with Ferrule max	2.5 mm ²	Soldering Temperature, recommended	265 °C
Dimensions		Peak Soldering Time, recommended	3-4 s
Stripped Length	7.0 mm	Reflow Process	
PCB Hole Diameter	1.3 mm	Soldering Temperature, recommended	-
Materials		Peak Soldering Time, recommended	-
Clamp	Brass		
Wire Guard	Stainless Steel		
Screw	Steel		

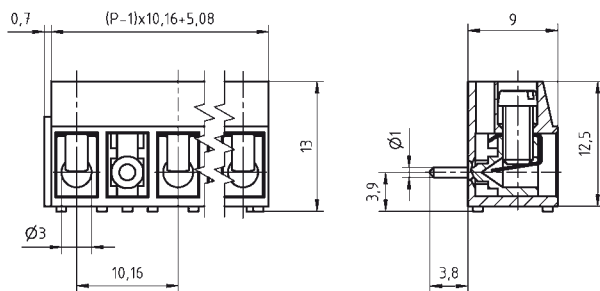
Colours

 GREY, RAL 7016	 BLUE, RAL 5015
--	--

Colours according to RAL, there may be variations on colour due to production conditions. Special colours on request.

Order Data (Spacing 10.0 mm)

Poles	Width (mm)	Article Designation	Article Number	PU
2	15.94	AKZ120/2DS-10.16-H-GREY	50120020170G	250
3	26.10	AKZ120/3DS-10.16-H-GREY	50120030170G	250
4	36.26	AKZ120/4DS-10.16-H-GREY	50120040170F	200
5	46.42	AKZ120/5DS-10.16-H-GREY	50120050170E	100
6	56.58	AKZ120/6DS-10.16-H-GREY	50120060170E	100



Ratings

Usegroup	cULus			VDE	
	B	C	D	1000 V	
Rated Voltage	300 V	150 V	300 V	1000 V	
Rated Current	20 A	20 A	10 A	24 A	
Rated Wire Size				min	max
	solid	AWG 22-12	AWG 22-12	AWG 22-12	0.5 mm ² / 2.5 mm ²
	stranded	AWG 22-12	AWG 22-12	AWG 22-12	0.5 mm ² / 2.5 mm ²
Torque	0.45 Nm	0.45 Nm	0.45 Nm	0.50 Nm	
Screw Size	M3	M3	M3	M3	
Test Voltage	1.6 kV	1.6 kV	1.6 kV	3.5 kV	

AK100/..DS-10.0-H-GREY-BL



Technical Data

Wire Size		Insulating Material	
Solid min	0.2 mm ²	Material	PA 6.6
Solid max	4.0 mm ²	Flammability Class	UL 94 V-0
Stranded (flexible) min	0.2 mm ²	Temperatures	
Stranded (flexible) max	2.5 mm ²	Operating Temperature	-30 °C - 105 °C
Stranded with Ferrule min	0.2 mm ²	Wave Soldering Process	
Stranded with Ferrule max	2.5 mm ²	Soldering Temperature, recommended	265 °C
Dimensions		Peak Soldering Time, recommended	3-4 s
Stripped Length	6.0 mm	Reflow Process	
PCB Hole Diameter	1.3 mm	Soldering Temperature, recommended	-
Materials		Peak Soldering Time, recommended	-
Clamp	Brass		
Wire Guard	Stainless Steel		
Screw	Steel		

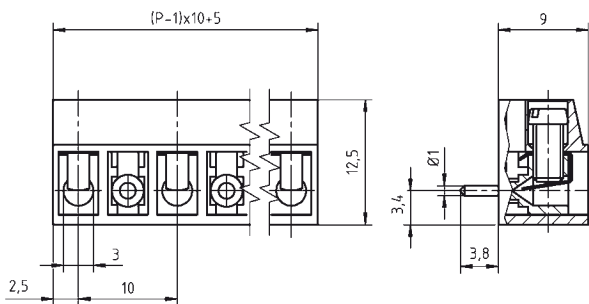
Colours

■ GREY, RAL 7016

Colours according to RAL, there may be variations on colour due to production conditions. Special colours on request.

Order Data (Spacing 10.0 mm)

Poles	Width (mm)	Article Designation	Article Number	PU
2	15.00	AK100/2DS-10.0-H-GREY-BL	50100022240G	250
3	25.00	AK100/3DS-10.0-H-GREY-BL	50100032240G	250
4	35.00	AK100/4DS-10.0-H-GREY-BL	50100042240F	200
5	45.00	AK100/5DS-10.0-H-GREY-BL	50100052240E	100
6	55.00	AK100/6DS-10.0-H-GREY-BL	50100062240E	100



Ratings



Usegroup	B	C	D	750 V		
Rated Voltage	300 V	150 V	300 V	750 V		
Rated Current	20 A	20 A	10 A	24 A		
Rated Wire Size					min	max
solid	AWG 22-12	AWG 22-12	AWG 22-12	0.5 mm ²	2.5 mm ²	
stranded	AWG 22-12	AWG 22-12	AWG 22-12	0.5 mm ²	2.5 mm ²	
Torque	0.45 Nm	0.45 Nm	0.45 Nm	0.50 Nm		
Screw Size	M3	M3	M3	M3		
Test Voltage	1.6 kV	1.6 kV	1.6 kV	3.5 kV		

AK500/..DS-10.0-V-GREY AKZ500/..DS-10.16-V-GREY



Technical Data

Wire Size		Insulating Material	
Solid min	0.2 mm ²	Material	PA 6.6
Solid max	1.5 mm ²	Flammability Class	UL 94 V-0
Stranded (flexible) min		Temperatures	
Stranded (flexible) max	0.2 mm ²	Operating Temperature	-30 °C - 105 °C
Stranded with Ferrule min		Wave Soldering Process	
Stranded with Ferrule max	0.2 mm ²	Soldering Temperature, recommended	265 °C
Stranded with Ferrule max		Peak Soldering Time, recommended	3-4 s
Dimensions		Reflow Process	
Stripped Length	5.0 mm	Soldering Temperature, recommended	-
PCB Hole Diameter	1.3 mm	Peak Soldering Time, recommended	-
Materials			
Clamp	Brass		
Wire Guard	Stainless Steel		
Screw	Steel		

Colours

	GREY, RAL 7016		BLACK, RAL 9011
	GREEN, RAL 6018		BLUE, RAL 5015

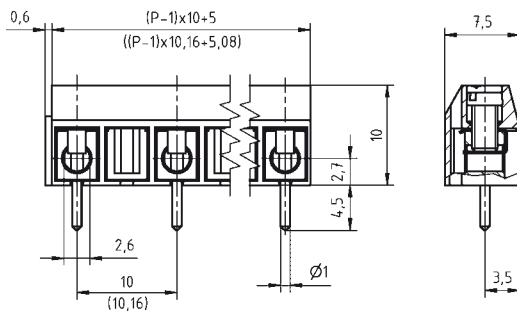
Colours according to RAL, there may be variations on colour due to production conditions. Special colours on request.

Order Data (Spacing 10.0 mm)

Poles	Width (mm)	Article Designation	Article Number	PU
2	15.60	AK500/2DS-10.0-V-GREY	50500020211G	250
3	25.60	AK500/3DS-10.0-V-GREY	50500030211G	250
4	35.60	AK500/4DS-10.0-V-GREY	50500040211G	250
5	45.60	AK500/5DS-10.0-V-GREY	50500050211E	100
6	55.60	AK500/6DS-10.0-V-GREY	50500060211E	100
7	65.60	AK500/7DS-10.0-V-GREY	50500070211D	50
8	75.60	AK500/8DS-10.0-V-GREY	50500080211D	50
9	85.60	AK500/9DS-10.0-V-GREY	50500090211D	50
...
12	115.60	AK500/12DS-10.0-V-GREY	50500120211D	50

Order Data (Spacing 10.16 mm)

Poles	Width (mm)	Article Designation	Article Number	PU
2	15.84	AKZ500/2DS-10.16-V-GREY	50500020224G	250
3	26.00	AKZ500/3DS-10.16-V-GREY	50500030224G	250
4	36.16	AKZ500/4DS-10.16-V-GREY	50500040224G	250
5	46.32	AKZ500/5DS-10.16-V-GREY	50500050224E	100
6	56.48	AKZ500/6DS-10.16-V-GREY	50500060224E	100
7	66.64	AKZ500/7DS-10.16-V-GREY	50500070224D	50
8	76.80	AKZ500/8DS-10.16-V-GREY	50500080224D	50
9	86.96	AKZ500/9DS-10.16-V-GREY	50500090224D	50
...
12	117.44	AKZ500/12DS-10.16-V-GREY	50500120224D	50



Ratings

Usegroup	cULus			VDE	
	B	C	D	750 V	
Rated Voltage	300 V	150 V	300 V	750 V	
Rated Current	15 A	15 A	10 A	17.5 A	
Rated Wire Size				min	max
	solid	AWG 22-14	AWG 22-14	AWG 22-14	0.5 mm ² / 1.5 mm ²
	stranded	AWG 22-14	AWG 22-14	AWG 22-14	0.5 mm ² / 1.5 mm ²
Torque	0.40 Nm	0.40 Nm	0.40 Nm	0.40 Nm	
Screw Size	M2.6	M2.6	M2.6	M2.6	
Test Voltage	1.6 kV	1.6 kV	1.6 kV	3.5 kV	

AK500/..DS-10.0-V-GREY-BL



Technical Data

Wire Size		Insulating Material	
Solid min	0.2 mm ²	Material	PA 6.6
Solid max	1.5 mm ²	Flammability Class	UL 94 V-0
Stranded (flexible) min	0.2 mm ²	Temperatures	
Stranded (flexible) max	1.5 mm ²	Operating Temperature	-30 °C - 105 °C
Stranded with Ferrule min	0.2 mm ²	Wave Soldering Process	
Stranded with Ferrule max	1.5 mm ²	Soldering Temperature, recommended	265 °C
Dimensions		Peak Soldering Time, recommended	3-4 s
Stripped Length	5.0 mm	Reflow Process	
PCB Hole Diameter	1.3 mm	Soldering Temperature, recommended	-
Materials		Peak Soldering Time, recommended	-
Clamp	Brass		
Wire Guard	Stainless Steel		
Screw	Steel		

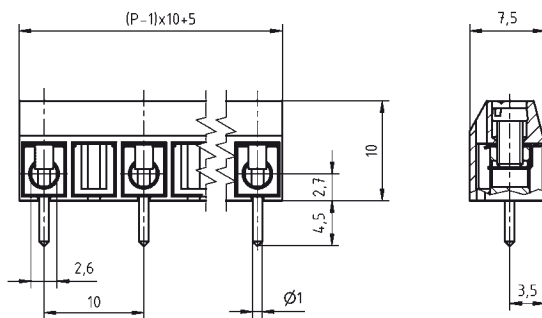
Colours

	GREY, RAL 7016		BLACK, RAL 9011
	GREEN, RAL 6018		

Colours according to RAL, there may be variations on colour due to production conditions. Special colours on request.

Order Data (Spacing 10.0 mm)

Poles	Width (mm)	Article Designation	Article Number	PU
2	15.00	AK500/2DS-10.0-V-GREY-BL	50500023211G	250
3	25.00	AK500/3DS-10.0-V-GREY-BL	50500033211G	250
4	35.00	AK500/4DS-10.0-V-GREY-BL	50500043211G	250
5	45.00	AK500/5DS-10.0-V-GREY-BL	50500053211E	100
6	55.00	AK500/6DS-10.0-V-GREY-BL	50500063211E	100



Ratings



Usegroup	B	C	D		
Rated Voltage	300 V	150 V	300 V	750 V	
Rated Current	15 A	15 A	10 A	17.5 A	
Rated Wire Size				min	max
	solid	AWG 22-14	AWG 22-14	AWG 22-14	0.5 mm ² / 1.5 mm ²
	stranded	AWG 22-14	AWG 22-14	AWG 22-14	0.5 mm ² / 1.5 mm ²
Torque	0.40 Nm	0.40 Nm	0.40 Nm	0.40 Nm	
Screw Size	M2.6	M2.6	M2.6	M2.6	
Test Voltage	1.6 kV	1.6 kV	1.6 kV	3.5 kV	

AK500/..DS-10.0-H-GREY AKZ500/..DS-10.16-H-GREY



Technical Data

Wire Size		Insulating Material	
Solid min	0.2 mm ²	Material	PA 6.6
Solid max	1.5 mm ²	Flammability Class	UL 94 V-0
Stranded (flexible) min	0.2 mm ²	Temperatures	
Stranded (flexible) max	1.5 mm ²	Operating Temperature	-30 °C - 105 °C
Stranded with Ferrule min	0.2 mm ²	Wave Soldering Process	
Stranded with Ferrule max	1.5 mm ²	Soldering Temperature, recommended	265 °C
Dimensions		Peak Soldering Time, recommended	3-4 s
Stripped Length	5.0 mm	Reflow Process	
PCB Hole Diameter	1.3 mm	Soldering Temperature, recommended	-
Materials		Peak Soldering Time, recommended	-
Clamp	Brass		
Wire Guard	Stainless Steel		
Screw	Steel		

Colours

 GREY, RAL 7016	 BLUE, RAL 5015
--	--

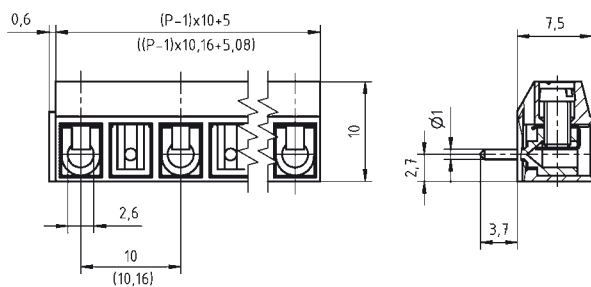
Colours according to RAL, there may be variations on colour due to production conditions. Special colours on request.

Order Data (Spacing 10.0 mm)

Poles	Width (mm)	Article Designation	Article Number	PU
2	15.60	AK500/2DS-10.0-H-GREY	50500020241G	250
3	25.60	AK500/3DS-10.0-H-GREY	50500030241G	250
4	35.60	AK500/4DS-10.0-H-GREY	50500040241G	250
5	45.60	AK500/5DS-10.0-H-GREY	50500050241E	100
6	55.60	AK500/6DS-10.0-H-GREY	50500060241E	100
7	65.60	AK500/7DS-10.0-H-GREY	50500070241D	50
8	75.60	AK500/8DS-10.0-H-GREY	50500080241D	50
9	85.60	AK500/9DS-10.0-H-GREY	50500090241D	50
...
12	115.60	AK500/12DS-10.0-H-GREY	50500120241D	50

Order Data (Spacing 10.16 mm)

Poles	Width (mm)	Article Designation	Article Number	PU
2	15.84	AKZ500/2DS-10.16-H-GREY	50500020251G	250
3	26.00	AKZ500/3DS-10.16-H-GREY	50500030251G	250
4	36.16	AKZ500/4DS-10.16-H-GREY	50500040251G	250
5	46.32	AKZ500/5DS-10.16-H-GREY	50500050251E	100
6	56.48	AKZ500/6DS-10.16-H-GREY	50500060251E	100
7	66.64	AKZ500/7DS-10.16-H-GREY	50500070251D	50
8	76.80	AKZ500/8DS-10.16-H-GREY	50500080251D	50
9	86.96	AKZ500/9DS-10.16-H-GREY	50500090251D	50
...
12	117.44	AKZ500/12DS-10.16-H-GREY	50500120251D	50



Ratings

Usegroup	cULus			VDE	
	B	C	D	750 V	
Rated Voltage	300 V	150 V	300 V	750 V	
Rated Current	15 A	15 A	10 A	17.5 A	
Rated Wire Size				min	max
	solid	AWG 22-14	AWG 22-14	AWG 22-14	0.5 mm ² / 1.5 mm ²
	stranded	AWG 22-14	AWG 22-14	AWG 22-14	0.5 mm ² / 1.5 mm ²
Torque	0.40 Nm		0.40 Nm	0.40 Nm	
Screw Size	M2.6		M2.6	M2.6	
Test Voltage	1.6 kV		1.6 kV	3.5 kV	

AK500/..DS-10.0-H-GREY-BL



Technical Data

Wire Size		Insulating Material	
Solid min	0.2 mm ²	Material	PA 6.6
Solid max	1.5 mm ²	Flammability Class	UL 94 V-0
Stranded (flexible) min	0.2 mm ²	Temperatures	
Stranded (flexible) max	1.5 mm ²	Operating Temperature	-30 °C - 105 °C
Stranded with Ferrule min	0.2 mm ²	Wave Soldering Process	
Stranded with Ferrule max	1.5 mm ²	Soldering Temperature, recommended	265 °C 3-4 s
Dimensions		Peak Soldering Time, recommended	-
Stripped Length	5.0 mm	Reflow Process	
PCB Hole Diameter	1.3 mm	Soldering Temperature, recommended	-
Materials		Peak Soldering Time, recommended	-
Clamp	Brass		
Wire Guard	Stainless Steel		
Screw	Steel		

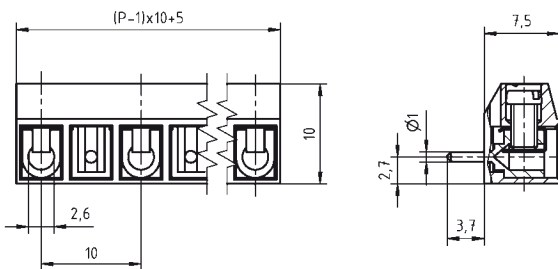
Colours

■ GREY, RAL 7016

Colours according to RAL, there may be variations on colour due to production conditions. Special colours on request.

Order Data (Spacing 10.16 mm)

Poles	Width (mm)	Article Designation	Article Number	PU
2	15.00	AK500/2DS-10.0-H-GREY-BL	50500023241G	250
3	25.00	AK500/3DS-10.0-H-GREY-BL	50500033241G	250
4	35.00	AK500/4DS-10.0-H-GREY-BL	50500043241G	250
5	45.00	AK500/5DS-10.0-H-GREY-BL	50500053241E	100
6	55.00	AK500/6DS-10.0-H-GREY-BL	50500063241E	100



Ratings



Usegroup	B	C	D		
Rated Voltage	300 V	150 V	300 V	750 V	
Rated Current	15 A	15 A	10 A	17.5 A	
Rated Wire Size				min	max
	solid	AWG 22-14	AWG 22-14	AWG 22-14	0.5 mm ² / 1.5 mm ²
	stranded	AWG 22-14	AWG 22-14	AWG 22-14	0.5 mm ² / 1.5 mm ²
Torque	0.40 Nm	0.40 Nm	0.40 Nm	0.40 Nm	
Screw Size	M2.6	M2.6	M2.6	M2.6	
Test Voltage	1.6 kV	1.6 kV	1.6 kV	3.5 kV	

AKZ692/..-2.54-V-GREEN



Technical Data

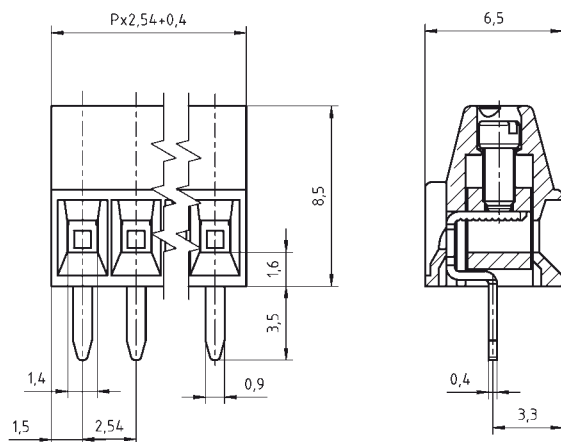
Wire Size		Insulating Material	
Solid min	0.14 mm ²	Material	PA 6.6
Solid max	0.75 mm ²	Flammability Class	UL 94 V-0
Stranded (flexible) min	0.14 mm ²	Temperatures	
Stranded (flexible) max	0.75 mm ²	Operating Temperature	-30 °C - 105 °C
Stranded with Ferrule min	0.14 mm ²	Wave Soldering Process	
Stranded with Ferrule max	0.34 mm ²	Soldering Temperature, recommended	265 °C
Dimensions		Peak Soldering Time, recommended	3-4 s
Stripped Length	4.0 mm	Reflow Process	
PCB Hole Diameter	1.3 mm	Soldering Temperature, recommended	-
Materials		Peak Soldering Time, recommended	-
Clamp	Brass		
Screw	Steel		
Solder Tag	Brass		

Colours

■ GREEN, RAL 6018
 ■ LIGHT GREEN, similar RAL 6018
Colours according to RAL, there may be variations on colour due to production conditions. Special colours on request.

Order Data (Spacing 2.54 mm)

Poles	Width (mm)	Article Designation	Article Number	PU
2	5.48	AKZ692/2-2.54-V-GREEN	50692020021E	100
3	8.02	AKZ692/3-2.54-V-GREEN	50692030021E	100
4	10.56	AKZ692/4-2.54-V-GREEN	50692040021E	100
5	13.10	AKZ692/5-2.54-V-GREEN	50692050021E	100
6	15.64	AKZ692/6-2.54-V-GREEN	50692060021E	100
7	18.18	AKZ692/7-2.54-V-GREEN	50692070021E	100
8	20.72	AKZ692/8-2.54-V-GREEN	50692080021E	100
9	23.26	AKZ692/9-2.54-V-GREEN	50692090021E	100
10	25.80	AKZ692/10-2.54-V-GREEN	50692100021E	100
11	28.34	AKZ692/11-2.54-V-GREEN	50692110021E	100
12	30.88	AKZ692/12-2.54-V-GREEN	50692120021E	100
13	33.42	AKZ692/13-2.54-V-GREEN	50692130021E	100
14	35.96	AKZ692/14-2.54-V-GREEN	50692140021E	100
15	38.50	AKZ692/15-2.54-V-GREEN	50692150021E	100
16	41.04	AKZ692/16-2.54-V-GREEN	50692160021E	100
17	43.58	AKZ692/17-2.54-V-GREEN	50692170021E	100
18	46.12	AKZ692/18-2.54-V-GREEN	50692180021E	100
19	48.66	AKZ692/19-2.54-V-GREEN	50692190021E	100
20	51.20	AKZ692/20-2.54-V-GREEN	50692200021E	100
21	53.74	AKZ692/21-2.54-V-GREEN	50692210021E	100
22	56.28	AKZ692/22-2.54-V-GREEN	50692220021E	100
23	58.82	AKZ692/23-2.54-V-GREEN	50692230021E	100
24	61.36	AKZ692/24-2.54-V-GREEN	50692240021E	100



Ratings



Usegroup	B	C	D		
Rated Voltage	150 V	-	-	130 V	
Rated Current	7 A	-	-	9 A	
Rated Wire Size				min	max
	solid	AWG 30-18	-	0.14 mm ²	0.75 mm ²
	stranded	AWG 30-18	-	0.14 mm ²	0.75 mm ²
Torque	0.10 Nm	-	-	0.10 Nm	
Screw Size	M1.6	-	-	M1.6	
Test Voltage	1.3 kV	-	-	1.25 kV	

* Approval Pending

AK601/..-3.5-V-GREEN AKZ601/..-3.81-V-GREEN



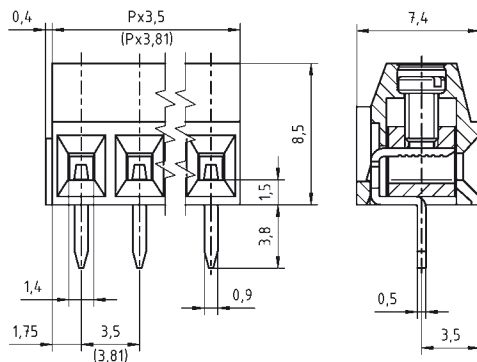
Technical Data

Wire Size		Insulating Material	
Solid min	0.08 mm ²	Material	PA 6.6
Solid max	1.5 mm ²	Flammability Class	UL 94 V-0
Stranded (flexible) min		Temperatures	
Stranded (flexible) max	0.08 mm ²	Operating Temperature	-30 °C - 105 °C
Stranded with Ferrule min	0.14 mm ²	Wave Soldering Process	
Stranded with Ferrule max	0.34 mm ²	Soldering Temperature, recommended	265 °C
Dimensions		Peak Soldering Time, recommended	3-4 s
Stripped Length	6.0 mm	Reflow Process	
PCB Hole Diameter	1.2 mm	Soldering Temperature, recommended	-
Materials		Peak Soldering Time, recommended	-
Clamp	Brass		
Screw	Steel		
Solder Tag	Brass		

Colours

 GREEN, RAL 6018  LIGHT GREEN, similar RAL 6018

Colours according to RAL, there may be variations on colour due to production conditions. Special colours on request.






Order Data (Spacing 3.5 mm)

Poles	Width (mm)	Article Designation	Article Number	PU
2	7.40	AK601/2-3.5-V-GREEN	50601020001F	200
3	10.90	AK601/3-3.5-V-GREEN	50601030001F	200
4	14.40	AK601/4-3.5-V-GREEN	50601040001F	200
5	17.90	AK601/5-3.5-V-GREEN	50601050001F	200
6	21.40	AK601/6-3.5-V-GREEN	50601060001E	100
7	24.90	AK601/7-3.5-V-GREEN	50601070001E	100
8	28.40	AK601/8-3.5-V-GREEN	50601080001E	100
9	31.90	AK601/9-3.5-V-GREEN	50601090001E	100
...
24	84.40	AK601/24-3.5-V-GREEN	50601240001D	50

Order Data (Spacing 3.81 mm)

Poles	Width (mm)	Article Designation	Article Number	PU
2	8.01	AKZ601/2-3.81-V-GREEN	50601020021F	200
3	11.82	AKZ601/3-3.81-V-GREEN	50601030021F	200
4	15.63	AKZ601/4-3.81-V-GREEN	50601040021F	200
5	19.44	AKZ601/5-3.81-V-GREEN	50601050021F	200
6	23.25	AKZ601/6-3.81-V-GREEN	50601060021E	100
7	27.06	AKZ601/7-3.81-V-GREEN	50601070021E	100
8	30.87	AKZ601/8-3.81-V-GREEN	50601080021E	100
9	34.68	AKZ601/9-3.81-V-GREEN	50601090021E	100
...
24	91.83	AKZ601/24-3.81-V-GREEN	50601240021D	50

Accessories

Figure	Designation	Article Number
	Bridge, 2-pole, insulated, BRI/2-7.0/7.62-L7.5-LIGHT GREY	50000000018
	Bridge, 2-pole, BR/2-3.5/3.81-L7.5	50000000015
	Bridge, 3-pole, BR/3-3.5/3.81-L7.5	50000000016

See pages 214/215 for details and general accessories, and see pages 8/9 concerning services.

Ratings



Usegroup	B	C	D		
Rated Voltage	150 V	-	-	130 V	
Rated Current	10 A	-	-	10 A	
Rated Wire Size				min	max
	solid	AWG 28-16	-	0.2 mm ²	1.0 mm ²
	stranded	AWG 28-16	-	0.2 mm ²	1.0 mm ²
Torque	0.20 Nm			0.20 Nm	
Screw Size	M2			M2	
Test Voltage	1.3 kV			1.25 kV	

AKZ602/..-3.81-V-GREEN



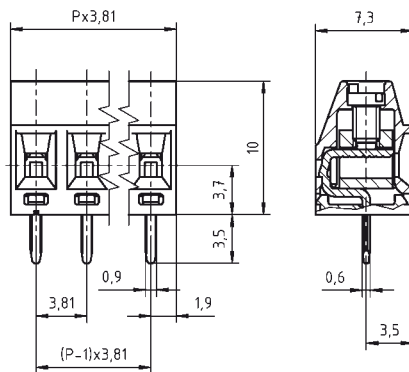
Technical Data

Wire Size		Insulating Material	
Solid min	0.14 mm ²	Material	PA 6.6
Solid max	1.5 mm ²	Flammability Class	UL 94 V-0
Stranded (flexible) min	0.14 mm ²	Temperatures	
Stranded (flexible) max	1.0 mm ²	Operating Temperature	-30 °C - 105 °C
Stranded with Ferrule min	0.25 mm ²	Wave Soldering Process	
Stranded with Ferrule max	0.5 mm ²	Soldering Temperature, recommended	265 °C
Dimensions		Peak Soldering Time, recommended	3-4 s
Stripped Length	5.0 mm	Reflow Process	
PCB Hole Diameter	1.1 mm	Soldering Temperature, recommended	-
Materials		Peak Soldering Time, recommended	-
Clamp	Brass		
Screw	Bronze		
Solder Tag	Copper Alloy		

Colours

 GREEN, RAL 6018  LIGHT GREEN, similar RAL 6018




Colours according to RAL, there may be variations on colour due to production conditions. Special colours on request.



Order Data (Spacing 3.81 mm)

Poles	Width (mm)	Article Designation	Article Number	PU
2	7.62	AKZ602/2-3.81-V-GREEN	50602020021F	200
3	11.43	AKZ602/3-3.81-V-GREEN	50602030021F	200
4	15.24	AKZ602/4-3.81-V-GREEN	50602040021F	200
5	19.05	AKZ602/5-3.81-V-GREEN	50602050021F	200
6	22.86	AKZ602/6-3.81-V-GREEN	50602060021E	100
7	26.67	AKZ602/7-3.81-V-GREEN	50602070021E	100
8	30.48	AKZ602/8-3.81-V-GREEN	50602080021E	100
9	34.29	AKZ602/9-3.81-V-GREEN	50602090021E	100
10	38.10	AKZ602/10-3.81-V-GREEN	50602100021D	50
11	41.91	AKZ602/11-3.81-V-GREEN	50602110021D	50
12	45.72	AKZ602/12-3.81-V-GREEN	50602120021D	50
13	49.53	AKZ602/13-3.81-V-GREEN	50602130021D	50
14	53.34	AKZ602/14-3.81-V-GREEN	50602140021D	50
15	57.15	AKZ602/15-3.81-V-GREEN	50602150021D	50
16	60.96	AKZ602/16-3.81-V-GREEN	50602160021D	50

Accessories

Figure	Designation	Article Number
	Bridge, 2-pole, insulated, BR/2-7.0/7.62-L7.5-LIGHT GREY	50000000018
	Bridge, 2-pole, BR/2-3.5/3.81-L4.7	50000000013
	Bridge, 3-pole, BR/3-3.5/3.81-L4.7	50000000014

See pages 214/215 for details and general accessories, and see pages 8/9 concerning services.

Ratings



Usegroup	B	C	D		
Rated Voltage	300 V	-	-	130 V	
Rated Current	10 A	-	-	13.5 A	
Rated Wire Size				min	max
	solid	AWG 30-16	-	0.5 mm ²	1.0 mm ²
	stranded	AWG 30-16	-	0.5 mm ²	1.0 mm ²
Torque	0.25 Nm			0.20 Nm	
Screw Size	M2			M2	
Test Voltage	1.6 kV			1.25 kV	

AKZ250/..-5.08-V-GREEN



Technical Data

Wire Size		Insulating Material	
Solid min	0.14 mm ²	Material	PA 6.6
Solid max	1.5 mm ²	Flammability Class	UL 94 V-0
Stranded (flexible) min		Temperatures	
0.14 mm ²		Operating Temperature	-30 °C - 105 °C
Stranded (flexible) max		Wave Soldering Process	
1.5 mm ²		Soldering Temperature, recommended	265 °C
Stranded with Ferrule min		Peak Soldering Time, recommended	3-4 s
0.25 mm ²		Reflow Process	
Stranded with Ferrule max		Soldering Temperature, recommended	-
1.5 mm ²		Peak Soldering Time, recommended	-
Dimensions			
Stripped Length	6.0 mm		
PCB Hole Diameter	1.3 mm		
Materials			
Clamp	Brass		
Screw	Steel		
Solder Tag	Bronze		

Colours




GREEN, RAL 6018 LIGHT GREEN, similar RAL 6018

Colours according to RAL, there may be variations on colour due to production conditions. Special colours on request.

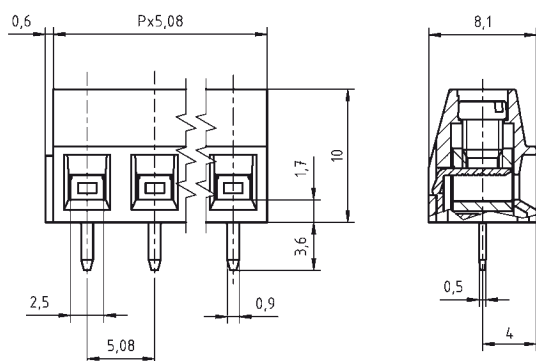
Order Data (Spacing 5.08 mm)

Poles	Width (mm)	Article Designation	Article Number	PU
2	10.76	AKZ250/2-5.08-V-GREEN	50250020001F	200
3	15.84	AKZ250/3-5.08-V-GREEN	50250030001F	200
4	20.92	AKZ250/4-5.08-V-GREEN	50250040001F	200
5	26.00	AKZ250/5-5.08-V-GREEN	50250050001F	200
6	31.08	AKZ250/6-5.08-V-GREEN	50250060001E	100
7	36.16	AKZ250/7-5.08-V-GREEN	50250070001E	100
8	41.24	AKZ250/8-5.08-V-GREEN	50250080001E	100
9	46.32	AKZ250/9-5.08-V-GREEN	50250090001E	100
10	51.40	AKZ250/10-5.08-V-GREEN	50250100001D	50
11	56.48	AKZ250/11-5.08-V-GREEN	50250110001D	50
12	61.56	AKZ250/12-5.08-V-GREEN	50250120001D	50

Accessories

Figure	Designation	Article Number
	Bridge, 2-pole, insulated, BR/2-5.0/5.08-LIGHT GREY	50000000006
	Bridge, 3-pole, insulated, BR/3-5.0/5.08-LIGHT GREY	50000000007
	Bridge, 2-pole, BR/2-5.0/5.08-L7.0	50000000008

See pages 214/215 for details and general accessories, and see pages 8/9 concerning services.



Ratings



Usegroup	B		C		D	
	Rated Voltage	300 V	150 V	300 V	250 V	13 A
Rated Current	15 A		15 A		10 A	
Rated Wire Size	min		max			
	solid	AWG 28-14	AWG 28-14	AWG 28-14	0.5 mm ²	1.5 mm ²
Torque	0.50 Nm		0.50 Nm		0.50 Nm	
Screw Size	M3		M3		M3	
Test Voltage	1.6 kV		1.6 kV		1.6 kV	

AK300/..-5.0-GREY AKZ300/..-5.08-GREY



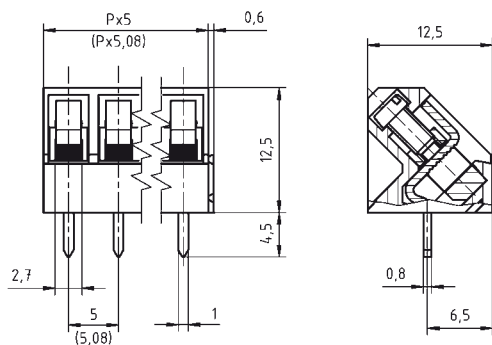
Technical Data

Wire Size		Insulating Material	
Solid min	0.14 mm ²	Material	PA 6.6
Solid max	2.5 mm ²	Flammability Class	UL 94 V-0
Stranded (flexible) min	0.14 mm ²	Temperatures	
Stranded (flexible) max	1.5 mm ²	Operating Temperature	-30 °C - 105 °C
Stranded with Ferrule min	0.25 mm ²	Wave Soldering Process	
Stranded with Ferrule max	1.5 mm ²	Soldering Temperature, recommended	265 °C
Dimensions		Peak Soldering Time, recommended	3-4 s
Stripped Length	7.0 mm	Reflow Process	
PCB Hole Diameter	1.3 mm	Soldering Temperature, recommended	-
Materials		Peak Soldering Time, recommended	-
Clamp	Brass		
Screw	Steel		
Solder Tag	Copper Alloy		

Colours

	GREY, RAL 7016		GREEN, RAL 6018
	BLUE, RAL 5015		

Colours according to RAL, there may be variations on colour due to production conditions. Special colours on request.



Order Data (Spacing 5.0 mm)

Poles	Width (mm)	Article Designation	Article Number	PU
2	10.60	AK300/2-5.0-GREY	50300020041F	200
3	15.60	AK300/3-5.0-GREY	50300030041F	200
4	20.60	AK300/4-5.0-GREY	50300040041F	200
5	25.60	AK300/5-5.0-GREY	50300050041F	200
6	30.60	AK300/6-5.0-GREY	50300060041F	200
7	35.60	AK300/7-5.0-GREY	50300070041E	100
8	40.60	AK300/8-5.0-GREY	50300080041E	100
9	45.60	AK300/9-5.0-GREY	50300090041E	100
...
12	60.60	AK300/12-5.0-GREY	50300120041D	50

Order Data (Spacing 5.08 mm)

Poles	Width (mm)	Article Designation	Article Number	PU
2	10.76	AKZ300/2-5.08-GREY	50300020141F	200
3	15.84	AKZ300/3-5.08-GREY	50300030141F	200
4	20.92	AKZ300/4-5.08-GREY	50300040141F	200
5	26.00	AKZ300/5-5.08-GREY	50300050141F	200
6	31.08	AKZ300/6-5.08-GREY	50300060141F	200
7	36.16	AKZ300/7-5.08-GREY	50300070141E	100
8	41.24	AKZ300/8-5.08-GREY	50300080141E	100
9	46.32	AKZ300/9-5.08-GREY	50300090141E	100
...
12	61.56	AKZ300/12-5.08-GREY	50300120141D	50

Accessories

Figure	Designation	Article Number
	Bridge, 2-pole, insulated, BR/2-5.0/5.08-LIGHT GREY	50000000006
	Bridge, 3-pole, insulated, BR/3-5.0/5.08-LIGHT GREY	50000000007
	Bridge, 2-pole, BR/2-5.0/5.08-L7.0	50000000008

See pages 214/215 for details and general accessories, and see pages 8/9 concerning services.

Ratings



Usegroup	B	C	D		
Rated Voltage	300 V	-	300 V	250 V	
Rated Current	15 A	-	10 A	24 A	
Rated Wire Size				min	max
	solid	AWG 22-12	-	AWG 22-12	0.5 mm ² / 2.5 mm ²
	stranded	AWG 22-12	-	AWG 22-12	0.5 mm ² / 1.5 mm ²
Torque	0.40 Nm	-	0.40 Nm	0.40 Nm	
Screw Size	M2.6	-	M2.6	M2.6	
Test Voltage	1.6 kV	-	1.6 kV	2.0 kV	

AK340/..-5.0-OL-GREEN



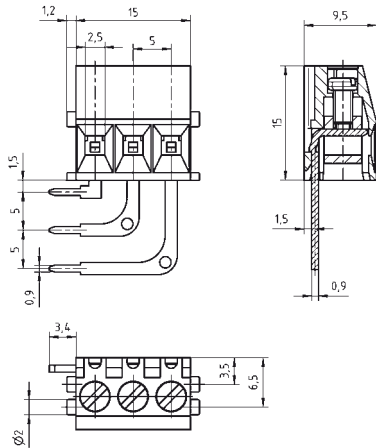
Technical Data

Wire Size		Insulating Material	
Solid min	0.14 mm ²	Material	PA 6.6
Solid max	4.0 mm ²	Flammability Class	UL 94 V-0
Stranded (flexible) min	0.14 mm ²	Temperatures	
Stranded (flexible) max	4.0 mm ²	Operating Temperature	-30 °C - 105 °C
Stranded with Ferrule min	0.14 mm ²	Wave Soldering Process	
Stranded with Ferrule max	1.5 mm ²	Soldering Temperature, recommended	265 °C
Dimensions		Peak Soldering Time, recommended	3-4 s
Stripped Length	7.0 mm	Reflow Process	
PCB Hole Diameter	1.3 mm	Soldering Temperature, recommended	-
Materials		Peak Soldering Time, recommended	-
Clamp	Brass		
Screw	Steel		
Solder Tag	Brass		

Colours

- GREEN, RAL 6018
- BLACK, RAL 9011
- LIGHT GREY, RAL 7035




Colours according to RAL, there may be variations on colour due to production conditions. Special colours on request.



Order Data (Spacing 5.0 mm)

Poles	Width (mm)	Article Designation	Article Number	PU
3	17.40	AK340/3-5.0-OL-GREEN	50340030061D	50

Accessories

Figure	Designation	Article Number
	Bridge, 2-pole, insulated, BR/2-5.0/5.08-LIGHT GREY	50000000006
	Bridge, 3-pole, insulated, BR/3-5.0/5.08-LIGHT GREY	50000000007
	Bridge, 2-pole, BR/2-5.0/5.08-L7.0	50000000008

See pages 214/215 for details and general accessories, and see pages 8/9 concerning services.

Ratings



Usegroup	B	C	D		
Rated Voltage	300 V	-	300 V	250 V	
Rated Current	16 A	-	10 A	16 A	
Rated Wire Size			min		max
	solid	AWG 22-12	-	AWG 22-12	4.0 mm ²
	stranded	AWG 22-12	-	AWG 22-12	2.5 mm ²
Torque	0.40 Nm	-	0.40 Nm	0.40 Nm	
Screw Size	M2.5	-	M2.5	M2.5	
Test Voltage	1.6 kV	-	1.6 kV	2.0 kV	

AK340/..-5.0-OR-GREEN



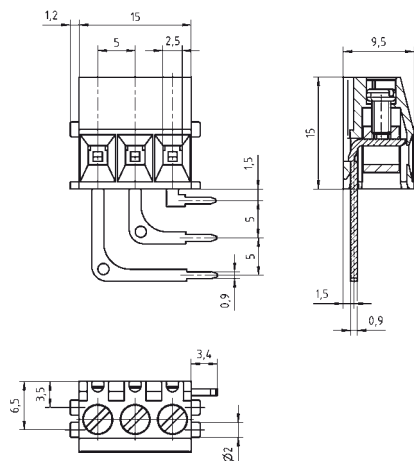
Technical Data

Wire Size		Insulating Material	
Solid min	0.14 mm ²	Material	PA 6.6
Solid max	4.0 mm ²	Flammability Class	UL 94 V-0
Stranded (flexible) min	0.14 mm ²	Temperatures	
Stranded (flexible) max	4.0 mm ²	Operating Temperature	-30 °C - 105 °C
Stranded with Ferrule min	0.14 mm ²	Wave Soldering Process	
Stranded with Ferrule max	1.5 mm ²	Soldering Temperature, recommended	265 °C
Dimensions		Peak Soldering Time, recommended	3-4 s
Stripped Length	7.0 mm	Reflow Process	
PCB Hole Diameter	1.3 mm	Soldering Temperature, recommended	-
Materials		Peak Soldering Time, recommended	-
Clamp	Brass		
Screw	Steel		
Solder Tag	Brass		

Colours

- GREEN, RAL 6018
- BLACK, RAL 9011
- LIGHT GREY, RAL 7035




Colours according to RAL, there may be variations on colour due to production conditions. Special colours on request.



Order Data (Spacing 5.0 mm)

Poles	Width (mm)	Article Designation	Article Number	PU
3	17.40	AK340/3-5.0-OR-GREEN	50340030071D	50

Accessories

Figure	Designation	Article Number
	Bridge, 2-pole, insulated, BR/2-5.0/5.08-LIGHT GREY	50000000006
	Bridge, 3-pole, insulated, BR/3-5.0/5.08-LIGHT GREY	50000000007
	Bridge, 2-pole, BR/2-5.0/5.08-L7.0	50000000008

See pages 214/215 for details and general accessories, and see pages 8/9 concerning services.

Ratings

Usegroup	B		C		D	
	Rated Voltage	Rated Current	Rated Voltage	Rated Current	Rated Voltage	Rated Current
	300 V	16 A	-	-	300 V	10 A
					250 V	16 A
Rated Wire Size					min	max
	solid	AWG 22-12	-	-	0.2 mm ²	4.0 mm ²
	stranded	AWG 22-12	-	-	0.2 mm ²	2.5 mm ²
Torque	0.40 Nm		-		0.40 Nm	
Screw Size	M2.5		-		M2.5	
Test Voltage	1.6 kV		-		2.0 kV	

AK350/..-5.0-V-GREEN AKZ350/..-5.08-V-GREEN



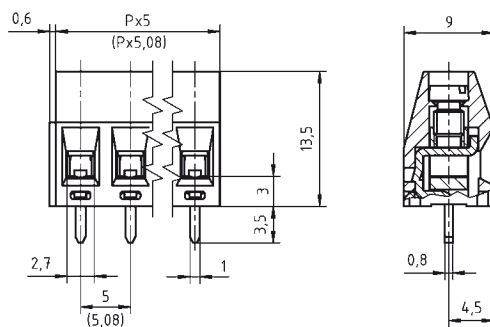
Technical Data

Wire Size		Insulating Material	
Solid min	0.14 mm ²	Material	PA 6.6
Solid max	2.5 mm ²	Flammability Class	UL 94 V-0
Stranded (flexible) min		Temperatures	
Stranded (flexible) min	0.14 mm ²	Operating Temperature	-30 °C - 105 °C
Stranded (flexible) max	1.5 mm ²	Wave Soldering Process	
Stranded with Ferrule min	0.25 mm ²	Soldering Temperature, recommended	265 °C
Stranded with Ferrule max	1.5 mm ²	Peak Soldering Time, recommended	3-4 s
Dimensions		Reflow Process	
Stripped Length	6.0 mm	Soldering Temperature, recommended	-
PCB Hole Diameter	1.3 mm	Peak Soldering Time, recommended	-
Materials			
Clamp	Brass		
Screw	Steel		
Solder Tag	Copper Alloy		

Colours

	GREEN, RAL 6018		LIGHT GREY, RAL 7035
	BLUE, RAL 5015		LIGHT GREEN, similar RAL 6018

Colours according to RAL, there may be variations on colour due to production conditions. Special colours on request.



Order Data (Spacing 5.0 mm)

Poles	Width (mm)	Article Designation	Article Number	PU
2	10.60	AK350/2-5.0-V-GREEN	50350020005F	200
3	15.60	AK350/3-5.0-V-GREEN	50350030005F	200
4	20.60	AK350/4-5.0-V-GREEN	50350040005F	200
5	25.60	AK350/5-5.0-V-GREEN	50350050005F	200
6	30.60	AK350/6-5.0-V-GREEN	50350060005E	100
7	35.60	AK350/7-5.0-V-GREEN	50350070005E	100
8	40.60	AK350/8-5.0-V-GREEN	50350080005E	100
9	45.60	AK350/9-5.0-V-GREEN	50350090005E	100
...
12	60.60	AK350/12-5.0-V-GREEN	50350120005D	50

Order Data (Spacing 5.08 mm)

Poles	Width (mm)	Article Designation	Article Number	PU
2	10.76	AKZ350/2-5.08-V-GREEN	50350020001F	200
3	15.84	AKZ350/3-5.08-V-GREEN	50350030001F	200
4	20.92	AKZ350/4-5.08-V-GREEN	50350040001F	200
5	26.00	AKZ350/5-5.08-V-GREEN	50350050001F	200
6	31.08	AKZ350/6-5.08-V-GREEN	50350060001E	100
7	36.16	AKZ350/7-5.08-V-GREEN	50350070001E	100
8	41.24	AKZ350/8-5.08-V-GREEN	50350080001E	100
9	46.32	AKZ350/9-5.08-V-GREEN	50350090001E	100
...
12	61.56	AKZ350/12-5.08-V-GREEN	50350120001D	50

Accessories

Figure	Designation	Article Number
	Bridge, 2-pole, insulated, BR/2-5.0/5.08-LIGHT GREY	50000000006
	Bridge, 3-pole, insulated, BR/3-5.0/5.08-LIGHT GREY	50000000007
	Bridge, 2-pole, BR/2-5.0/5.08-L7.0	50000000008

See pages 214/215 for details and general accessories, and see pages 8/9 concerning services.

Ratings

Usegroup	c ALUS			VDE	
	B	C	D	250 V	
Rated Voltage	300 V	150 V	300 V	250 V	
Rated Current	16 A	16 A	10 A	24 A	
Rated Wire Size				min	max
	solid	AWG 22-12	AWG 22-12	AWG 22-12	0.5 mm ² / 2.5 mm ²
	stranded	AWG 22-12	AWG 22-12	AWG 22-12	0.5 mm ² / 1.5 mm ²
Torque	0.45 Nm		0.45 Nm	0.50 Nm	
Screw Size	M3		M3	M3	
Test Voltage	1.6 kV		1.6 kV	2.0 kV	

AK350/..-5.0-V-GREEN-BR



Technical Data

Wire Size		Insulating Material	
Solid min	0.14 mm ²	Material	PA 6.6
Solid max	2.5 mm ²	Flammability Class	UL 94 V-0
Stranded (flexible) min	0.14 mm ²	Temperatures	
Stranded (flexible) max	1.5 mm ²	Operating Temperature	-30 °C - 105 °C
Stranded with Ferrule min	0.25 mm ²	Wave Soldering Process	
Stranded with Ferrule max	1.5 mm ²	Soldering Temperature, recommended	265 °C
Dimensions		Peak Soldering Time, recommended	3-4 s
Stripped Length	6.0 mm	Reflow Process	
PCB Hole Diameter	1.3 mm	Soldering Temperature, recommended	-
Materials		Peak Soldering Time, recommended	-
Clamp	Brass		
Screw	Steel		
Solder Tag	Copper Alloy		

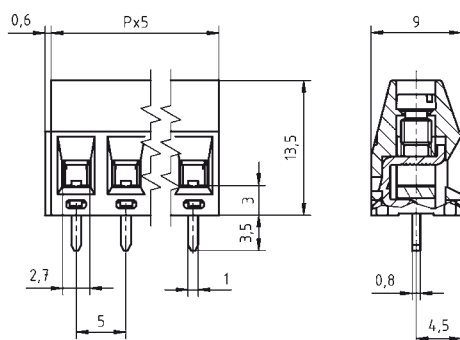
Colours

■ GREEN, RAL 6018

Colours according to RAL, there may be variations on colour due to production conditions. Special colours on request.

Order Data (Spacing 5.0 mm)

Poles	Width (mm)	Article Designation	Article Number	PU
2	10.60	AK350/2-5.0-V-GREEN-BR	50350020045F	200
3	15.60	AK350/3-5.0-V-GREEN-BR	50350030045F	200
4	20.60	AK350/4-5.0-V-GREEN-BR	50350040045E	100



Ratings

Usegroup	C UL US			VDE	
	B	C	D		
Rated Voltage	300 V	150 V	300 V	250 V	
Rated Current	16 A	16 A	10 A	24 A	
Rated Wire Size	solid	AWG 22-12	AWG 22-12	min	max
	stranded	AWG 22-12	AWG 22-12	0.5 mm ²	2.5 mm ²
Torque	0.45 Nm	0.45 Nm	0.45 Nm	0.50 Nm	
Screw Size	M3	M3	M3	M3	
Test Voltage	1.6 kV	1.6 kV	1.6 kV	2.0 kV	

AK350/..-5.0-H-GREEN AKZ350/..-5.08-H-GREEN



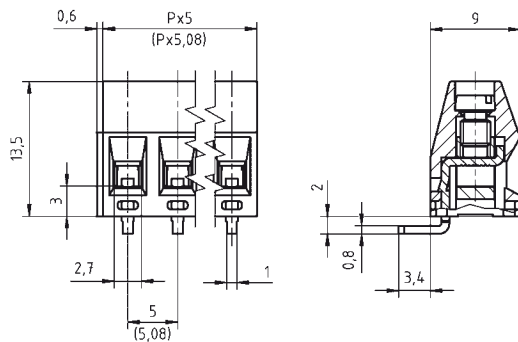
Technical Data

Wire Size		Insulating Material	
Solid min	0.14 mm ²	Material	PA 6.6
Solid max	2.5 mm ²	Flammability Class	UL 94 V-0
Stranded (flexible) min		Temperatures	
Stranded (flexible) max	0.14 mm ²	Operating Temperature	-30 °C - 105 °C
Stranded with Ferrule min	1.5 mm ²	Wave Soldering Process	
Stranded with Ferrule max	0.25 mm ²	Soldering Temperature, recommended	265 °C
Stranded with Ferrule max		Peak Soldering Time, recommended	3-4 s
Dimensions		Reflow Process	
Stripped Length	6.0 mm	Soldering Temperature, recommended	-
PCB Hole Diameter	1.3 mm	Peak Soldering Time, recommended	-
Materials			
Clamp	Brass		
Screw	Steel		
Solder Tag	Copper Alloy		

Colours

	GREEN, RAL 6018		LIGHT GREY, RAL 7035
	BLUE, RAL 5015		

Colours according to RAL, there may be variations on colour due to production conditions. Special colours on request.



Order Data (Spacing 5.0 mm)

Poles	Width (mm)	Article Designation	Article Number	PU
2	10.60	AK350/2-5.0-H-GREEN	50350020205F	200
3	15.60	AK350/3-5.0-H-GREEN	50350030205F	200
4	20.60	AK350/4-5.0-H-GREEN	50350040205F	200
5	25.60	AK350/5-5.0-H-GREEN	50350050205F	200
6	30.60	AK350/6-5.0-H-GREEN	50350060205E	100
7	35.60	AK350/7-5.0-H-GREEN	50350070205E	100
8	40.60	AK350/8-5.0-H-GREEN	50350080205E	100
9	45.60	AK350/9-5.0-H-GREEN	50350090205E	100
...
12	60.60	AK350/12-5.0-H-GREEN	50350120205D	50

Order Data (Spacing 5.08 mm)

Poles	Width (mm)	Article Designation	Article Number	PU
2	10.76	AKZ350/2-5.08-H-GREEN	50350020201F	200
3	15.84	AKZ350/3-5.08-H-GREEN	50350030201F	200
4	20.92	AKZ350/4-5.08-H-GREEN	50350040201F	200
5	26.00	AKZ350/5-5.08-H-GREEN	50350050201F	200
6	31.08	AKZ350/6-5.08-H-GREEN	50350060201E	100
7	36.16	AKZ350/7-5.08-H-GREEN	50350070201E	100
8	41.24	AKZ350/8-5.08-H-GREEN	50350080201E	100
9	46.32	AKZ350/9-5.08-H-GREEN	50350090201E	100
...
12	61.56	AKZ350/12-5.08-H-GREEN	50350120201D	50

Accessories

Figure	Designation	Article Number
	Bridge, 2-pole, insulated, BR/2-5.0/5.08-LIGHT GREY	50000000006
	Bridge, 3-pole, insulated, BR/3-5.0/5.08-LIGHT GREY	50000000007
	Bridge, 2-pole, BR/2-5.0/5.08-L7.0	50000000008

See pages 214/215 for details and general accessories, and see pages 8/9 concerning services.

Ratings

Usegroup	UL US			VDE		
	B	C	D	250 V		
Rated Voltage	300 V	150 V	300 V	250 V		
Rated Current	16 A	16 A	10 A	24 A		
Rated Wire Size				min	max	
	solid	AWG 22-12	AWG 22-12	AWG 22-12	0.5 mm ²	2.5 mm ²
	stranded	AWG 22-12	AWG 22-12	AWG 22-12	0.5 mm ²	1.5 mm ²
Torque	0.45 Nm			0.50 Nm		
Screw Size	M3			M3		
Test Voltage	1.6 kV			2.0 kV		

AK370/..-5.0-V-GREEN



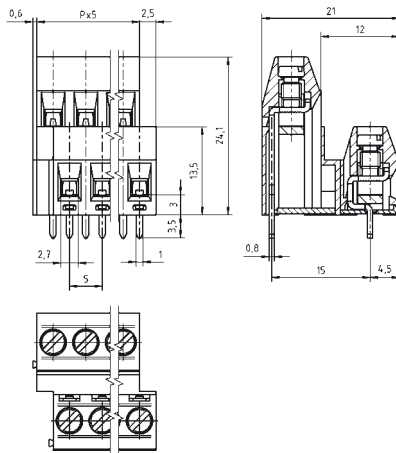
Technical Data

Wire Size		Insulating Material	
Solid min	0.14 mm ²	Material	PA 6.6
Solid max	2.5 mm ²	Flammability Class	UL 94 V-0
Stranded (flexible) min	0.14 mm ²	Temperatures	
Stranded (flexible) max	1.5 mm ²	Operating Temperature	-30 °C - 105 °C
Stranded with Ferrule min	0.25 mm ²	Wave Soldering Process	
Stranded with Ferrule max	1.5 mm ²	Soldering Temperature, recommended	265 °C
Dimensions		Peak Soldering Time, recommended	3-4 s
Stripped Length	6.0 mm	Reflow Process	
PCB Hole Diameter	1.3 mm	Soldering Temperature, recommended	-
Materials		Peak Soldering Time, recommended	-
Clamp	Brass		
Screw	Steel		
Solder Tag	Copper Alloy		

Colours

GREEN, RAL 6018
 LIGHT GREEN, similar RAL 6018




Colours according to RAL, there may be variations on colour due to production conditions. Special colours on request.



Order Data (Spacing 5.0 mm)

Poles	Width (mm)	Article Designation	Article Number	PU
2	13.10	AK370/2-5.0-V-GREEN	50370020005E	100
3	18.10	AK370/3-5.0-V-GREEN	50370030005E	100
4	23.10	AK370/4-5.0-V-GREEN	50370040005E	100
5	28.10	AK370/5-5.0-V-GREEN	50370050005D	50
6	33.10	AK370/6-5.0-V-GREEN	50370060005D	50
7	38.10	AK370/7-5.0-V-GREEN	50370070005D	50
8	43.10	AK370/8-5.0-V-GREEN	50370080005D	50
9	48.10	AK370/9-5.0-V-GREEN	50370090005D	50
10	53.10	AK370/10-5.0-V-GREEN	50370100005D	50
11	58.10	AK370/11-5.0-V-GREEN	50370110005D	50
12	63.10	AK370/12-5.0-V-GREEN	50370120005D	50

Accessories

Figure	Designation	Article Number
	Bridge, 2-pole, insulated, BR/2-5.0/5.08-LIGHT GREY	50000000006
	Bridge, 3-pole, insulated, BR/3-5.0/5.08-LIGHT GREY	50000000007
	Bridge, 2-pole, BR/2-5.0/5.08-L7.0	50000000008

See pages 214/215 for details and general accessories, and see pages 8/9 concerning services.

Ratings



Usegroup	B	C	D		
Rated Voltage	300 V	-	300 V	250 V	
Rated Current	16 A	-	10 A	24 A	
Rated Wire Size			min		max
	solid	AWG 22-12	-	AWG 22-12	0.5 mm ² 2.5 mm ²
	stranded	AWG 22-12	-	AWG 22-12	0.5 mm ² 1.5 mm ²
Torque	0.50 Nm		-	0.50 Nm	0.50 Nm
Screw Size	M3		-	M3	M3
Test Voltage	1.6 kV		-	1.6 kV	2.0 kV

AK700/..-5.0-V-GREEN AKZ700/..-5.08-V-GREEN



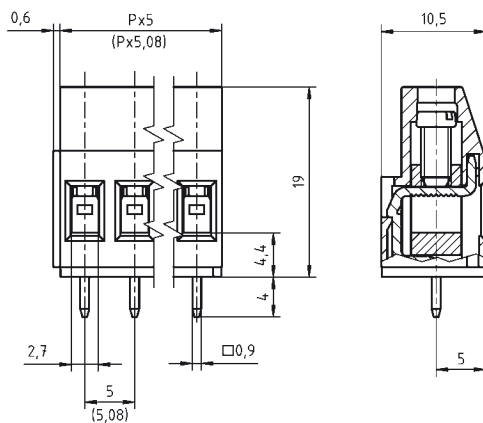
Technical Data

Wire Size		Insulating Material	
Solid min	0.2 mm ²	Material	PA 6.6
Solid max	4.0 mm ²	Flammability Class	UL 94 V-0
Stranded (flexible) min		Temperatures	
Stranded (flexible) max	0.2 mm ²	Operating Temperature	-30 °C - 105 °C
Stranded with Ferrule min	0.25 mm ²	Wave Soldering Process	
Stranded with Ferrule max	2.5 mm ²	Soldering Temperature, recommended	265 °C
Dimensions		Peak Soldering Time, recommended	3-4 s
Stripped Length	8.0 mm	Reflow Process	
PCB Hole Diameter	1.3 mm	Soldering Temperature, recommended	-
Materials		Peak Soldering Time, recommended	-
Clamp	Brass		
Screw	Steel		
Solder Tag	Copper Alloy		

Colours

	GREEN, RAL 6018		GREY, RAL 7016
	PEBBLE GREY, RAL 7032		BLUE, RAL 5015
	LIGHT GREEN, similar RAL 6018		

Colours according to RAL, there may be variations on colour due to production conditions. Special colours on request.



Order Data (Spacing 5.0 mm)

Poles	Width (mm)	Article Designation	Article Number	PU
2	10.60	AK700/2-5.0-V-GREEN	50700020201F	200
3	15.60	AK700/3-5.0-V-GREEN	50700030201F	200
4	20.60	AK700/4-5.0-V-GREEN	50700040201F	200
5	25.60	AK700/5-5.0-V-GREEN	50700050201F	200
6	30.60	AK700/6-5.0-V-GREEN	50700060201E	100
7	35.60	AK700/7-5.0-V-GREEN	50700070201E	100
8	40.60	AK700/8-5.0-V-GREEN	50700080201E	100
9	45.60	AK700/9-5.0-V-GREEN	50700090201E	100
...
12	60.60	AK700/12-5.0-V-GREEN	50700120201D	50

Order Data (Spacing 5.08 mm)

Poles	Width (mm)	Article Designation	Article Number	PU
2	10.76	AKZ700/2-5.08-V-GREEN	50700020213F	200
3	15.84	AKZ700/3-5.08-V-GREEN	50700030213F	200
4	20.92	AKZ700/4-5.08-V-GREEN	50700040213F	200
5	26.00	AKZ700/5-5.08-V-GREEN	50700050213F	200
6	31.08	AKZ700/6-5.08-V-GREEN	50700060213E	100
7	36.16	AKZ700/7-5.08-V-GREEN	50700070213E	100
8	41.24	AKZ700/8-5.08-V-GREEN	50700080213E	100
9	46.32	AKZ700/9-5.08-V-GREEN	50700090213E	100
...
12	61.56	AKZ700/12-5.08-V-GREEN	50700120213D	50

Accessories

Figure	Designation	Article Number
	Bridge, 2-pole, insulated, BR/2-5.0/5.08-LIGHT GREY	50000000006
	Bridge, 3-pole, insulated, BR/3-5.0/5.08-LIGHT GREY	50000000007
	Bridge, 2-pole, BR/2-5.0/5.08-L7.0	50000000008
	Screw Cover SC-AK700-YELLOW	50700000004

See pages 214/215 for details and general accessories, and see pages 8/9 concerning services.

Ratings

Usegroup	c				
	B	C	D		
Rated Voltage	300 V	-	300 V	250 V	
Rated Current	20 A	-	10 A	24 A	
Rated Wire Size				min max	
	solid	AWG 30-12	-	AWG 30-12	0.5 mm ² 4.0 mm ²
	stranded	AWG 30-12	-	AWG 30-12	0.5 mm ² 2.5 mm ²
Torque	0.45 Nm		0.45 Nm	0.50 Nm	
Screw Size	M3		M3	M3	
Test Voltage	1.6 kV		1.6 kV	2.0 kV	

AK700/..-5.0-V-GREEN-BR



Technical Data

Wire Size		Insulating Material	
Solid min	0.2 mm ²	Material	PA 6.6
Solid max	4.0 mm ²	Flammability Class	UL 94 V-0
Stranded (flexible) min	0.2 mm ²	Temperatures	
Stranded (flexible) max	2.5 mm ²	Operating Temperature	-30 °C - 105 °C
Stranded with Ferrule min	0.25 mm ²	Wave Soldering Process	
Stranded with Ferrule max	2.5 mm ²	Soldering Temperature, recommended	265 °C
Dimensions		Peak Soldering Time, recommended	3-4 s
Stripped Length	8.0 mm	Reflow Process	
PCB Hole Diameter	1.3 mm	Soldering Temperature, recommended	-
Materials		Peak Soldering Time, recommended	-
Clamp	Brass		
Screw	Steel		
Solder Tag	Copper Alloy		

Colours

GREEN, RAL 6018

Colours according to RAL, there may be variations on colour due to production conditions. Special colours on request.

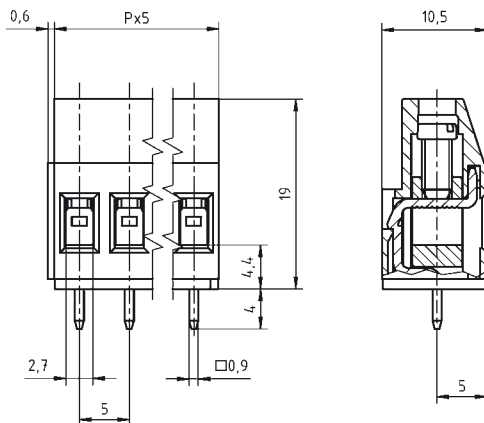
Order Data (Spacing 5.0 mm)

Poles	Width (mm)	Article Designation	Article Number	PU
3	15.60	AK700/3-5.0-V-GREEN-BR	50700030045F	200

Accessories

Figure	Designation	Article Number
	Screw Cover SC-AK700-YELLOW	50700000004

See pages 214/215 for details and general accessories, and see pages 8/9 concerning services.



Ratings



Usegroup	B		C	D		
	Rated Voltage	300 V		-	300 V	
Rated Current	20 A		-	10 A		
Rated Wire Size	min		max			
	solid	AWG 30-12	-	AWG 30-12	0.5 mm ²	4.0 mm ²
	stranded	AWG 30-12	-	AWG 30-12	0.5 mm ²	2.5 mm ²
Torque	0.45 Nm		-	0.50 Nm		
Screw Size	M3		-	M3		
Test Voltage	1.6 kV		-	2.0 kV		

AK700/..-5.0-H-GREEN AKZ700/..-5.08-H-GREEN



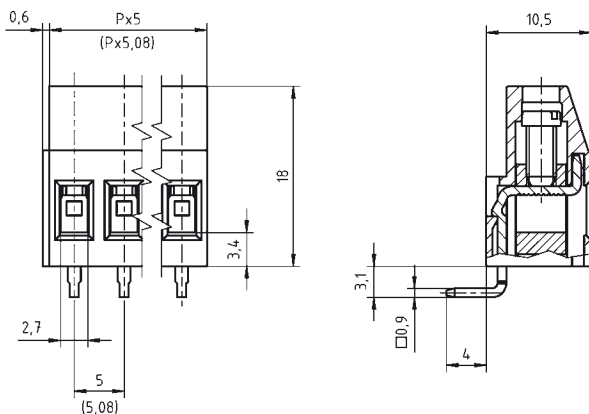
Technical Data

Wire Size		Insulating Material	
Solid min	0.2 mm ²	Material	PA 6.6
Solid max	4.0 mm ²	Flammability Class	UL 94 V-0
Stranded (flexible) min		Temperatures	
Stranded (flexible) max	0.2 mm ²	Operating Temperature	-30 °C - 105 °C
Stranded with Ferrule min	2.5 mm ²	Wave Soldering Process	
Stranded with Ferrule max	0.25 mm ²	Soldering Temperature, recommended	265 °C
Stranded with Ferrule max		Peak Soldering Time, recommended	3-4 s
Dimensions		Reflow Process	
Stripped Length	8.0 mm	Soldering Temperature, recommended	-
PCB Hole Diameter	1.3 mm	Peak Soldering Time, recommended	-
Materials			
Clamp	Brass		
Screw	Steel		
Solder Tag	Copper Alloy		

Colours

	GREEN, RAL 6018		GREY, RAL 7016
	PEBBLE GREY, RAL 7032		BLUE, RAL 5015
	LIGHT GREEN, similar RAL 6018		

Colours according to RAL, there may be variations on colour due to production conditions. Special colours on request.



Order Data (Spacing 5.00 mm)

Poles	Width (mm)	Article Designation	Article Number	PU
2	10.60	AK700/2-5.0-H-GREEN	50700020261F	200
3	15.60	AK700/3-5.0-H-GREEN	50700030261F	200
4	20.60	AK700/4-5.0-H-GREEN	50700040261F	200
5	25.60	AK700/5-5.0-H-GREEN	50700050261F	200
6	30.60	AK700/6-5.0-H-GREEN	50700060261E	100
7	35.60	AK700/7-5.0-H-GREEN	50700070261E	100
8	40.60	AK700/8-5.0-H-GREEN	50700080261E	100
9	45.60	AK700/9-5.0-H-GREEN	50700090261E	100
...
12	60.60	AK700/12-5.0-H-GREEN	50700120261D	50

Order Data (Spacing 5.08 mm)

Poles	Width (mm)	Article Designation	Article Number	PU
2	10.76	AKZ700/2-5.08-H-GREEN	50700020274F	200
3	15.84	AKZ700/3-5.08-H-GREEN	50700030274F	200
4	20.92	AKZ700/4-5.08-H-GREEN	50700040274F	200
5	26.00	AKZ700/5-5.08-H-GREEN	50700050274F	200
6	31.08	AKZ700/6-5.08-H-GREEN	50700060274E	100
7	36.16	AKZ700/7-5.08-H-GREEN	50700070274E	100
8	41.24	AKZ700/8-5.08-H-GREEN	50700080274E	100
9	46.32	AKZ700/9-5.08-H-GREEN	50700090274E	100
...
12	61.56	AKZ700/12-5.08-H-GREEN	50700120274D	50

Accessories

Figure	Designation	Article Number
	Bridge, 2-pole, insulated, BR/2-5.0/5.08-LIGHT GREY	50000000006
	Bridge, 3-pole, insulated, BR/3-5.0/5.08-LIGHT GREY	50000000007
	Bridge, 2-pole, BR/2-5.0/5.08-L7.0	50000000008
	Screw Cover SC-AK700-YELLOW	50700000004

See pages 214/215 for details and general accessories, and see pages 8/9 concerning services.

Ratings

Usegroup	c				
	B	C	D		
Rated Voltage	300 V	-	300 V	250 V	
Rated Current	15 A	-	10 A	24 A	
Rated Wire Size				min max	
	solid	AWG 30-12	-	AWG 30-12	0.5 mm ² 4.0 mm ²
	stranded	AWG 30-12	-	AWG 30-12	0.5 mm ² 2.5 mm ²
Torque	0.45 Nm		0.45 Nm	0.50 Nm	
Screw Size	M3		M3	M3	
Test Voltage	1.6 kV		1.6 kV	2.0 kV	

AK750/..-5.0-V-GREEN AKZ750/..-5.08-V-GREEN



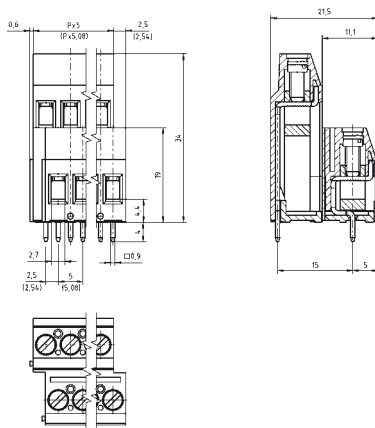
Technical Data

Wire Size		Insulating Material	
Solid min	0.2 mm ²	Material	PA 6.6
Solid max	4.0 mm ²	Flammability Class	UL 94 V-0
Stranded (flexible) min	0.2 mm ²	Temperatures	
Stranded (flexible) max	2.5 mm ²	Operating Temperature	-30 °C - 105 °C
Stranded with Ferrule min	0.25 mm ²	Wave Soldering Process	
Stranded with Ferrule max	2.5 mm ²	Soldering Temperature, recommended	265 °C
Dimensions		Peak Soldering Time, recommended	3-4 s
Stripped Length	8.0 mm	Reflow Process	
PCB Hole Diameter	1.3 mm	Soldering Temperature, recommended	-
Materials		Peak Soldering Time, recommended	-
Clamp	Brass		
Screw	Steel		
Solder Tag	Copper Alloy		

Colours

	GREEN, RAL 6018		GREY, RAL 7016
	LIGHT GREEN, similar RAL 6018		

Colours according to RAL, there may be variations on colour due to production conditions. Special colours on request.







Order Data (Spacing 5.0 mm)

Poles	Width (mm)	Article Designation	Article Number	PU
2	13.10	AK750/2-5.0-V-GREEN	50750020201D	50
3	18.10	AK750/3-5.0-V-GREEN	50750030201D	50
4	23.10	AK750/4-5.0-V-GREEN	50750040201D	50
5	28.10	AK750/5-5.0-V-GREEN	50750050201D	50
6	33.10	AK750/6-5.0-V-GREEN	50750060201D	50
7	38.10	AK750/7-5.0-V-GREEN	50750070201D	50
8	43.10	AK750/8-5.0-V-GREEN	50750080201D	50
9	48.10	AK750/9-5.0-V-GREEN	50750090201D	50
...
12	63.10	AK750/12-5.0-V-GREEN	50750120201D	50

Order Data (Spacing 5.08 mm)

Poles	Width (mm)	Article Designation	Article Number	PU
2	13.30	AKZ750/2-5.08-V-GREEN	50750020210D	50
3	18.38	AKZ750/3-5.08-V-GREEN	50750030210D	50
4	23.46	AKZ750/4-5.08-V-GREEN	50750040210D	50
5	28.54	AKZ750/5-5.08-V-GREEN	50750050210D	50
6	33.62	AKZ750/6-5.08-V-GREEN	50750060210D	50
7	38.70	AKZ750/7-5.08-V-GREEN	50750070210D	50
8	43.78	AKZ750/8-5.08-V-GREEN	50750080210D	50
9	48.86	AKZ750/9-5.08-V-GREEN	50750090210D	50
...
12	64.10	AKZ750/12-5.08-V-GREEN	50750120210D	50

Accessories

Figure	Designation	Article Number
	Bridge, 2-pole, insulated, BR/2-5.0/5.08-LIGHT GREY	50000000006
	Bridge, 3-pole, insulated, BR/3-5.0/5.08-LIGHT GREY	50000000007
	Bridge, 2-pole, BR/2-5.0/5.08-L7.0	50000000008
	Screw Cover SC-AK700-YELLOW	50700000004

See pages 214/215 for details and general accessories, and see pages 8/9 concerning services.

Ratings

Usegroup	c RALUS			VDE	
	B	C	D	250 V	
Rated Voltage	300 V	150 V	300 V	250 V	
Rated Current	20 A	20 A	10 A	24 A	
Rated Wire Size	solid	AWG 30-12	AWG 30-12	min	max
	stranded	AWG 30-12	AWG 30-12	0.5 mm ²	4.0 mm ²
Torque	0.45 Nm	0.45 Nm	0.45 Nm	0.50 Nm	
Screw Size	M3	M3	M3	M3	
Test Voltage	1.6 kV	1.6 kV	1.6 kV	2.0 kV	

AKZ770/..-5.08-V-GREEN



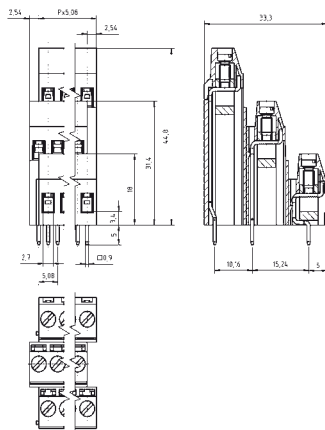
Technical Data

Wire Size		Insulating Material	
Solid min	0.2 mm ²	Material	PA 6.6
Solid max	4.0 mm ²	Flammability Class	UL 94 V-0
Stranded (flexible) min		Temperatures	
0.2 mm ²		Operating Temperature	-30 °C - 105 °C
Stranded (flexible) max		Wave Soldering Process	
2.5 mm ²		Soldering Temperature, recommended	265 °C
Stranded with Ferrule min		Peak Soldering Time, recommended	3-4 s
0.25 mm ²		Reflow Process	
Stranded with Ferrule max		Soldering Temperature, recommended	-
2.5 mm ²		Peak Soldering Time, recommended	-
Dimensions			
Stripped Length	8.0 mm		
PCB Hole Diameter	1.3 mm		
Materials			
Clamp	Brass		
Screw	Steel		
Solder Tag	Copper Alloy		

Colours

- GREEN, RAL 6018
- LIGHT GREEN, similar RAL 6018





Colours according to RAL, there may be variations on colour due to production conditions. Special colours on request.



Order Data (Spacing 5.08 mm)

Polzahl	Breite (mm)	Artikelbezeichnung	Artikelnummer	VPE
2	12.70	AKZ770/2-5.08-V-GREEN	50770020210D	50
3	17.78	AKZ770/3-5.08-V-GREEN	50770030210D	50
4	22.86	AKZ770/4-5.08-V-GREEN	50770040210D	50
5	27.94	AKZ770/5-5.08-V-GREEN	50770050210D	50
6	33.02	AKZ770/6-5.08-V-GREEN	50770060210D	50
7	38.10	AKZ770/7-5.08-V-GREEN	50770070210D	50
8	43.18	AKZ770/8-5.08-V-GREEN	50770080210D	50
9	48.26	AKZ770/9-5.08-V-GREEN	50770090210D	50
10	53.34	AKZ770/10-5.08-V-GREEN	50770100210D	50
11	58.42	AKZ770/11-5.08-V-GREEN	50770110210D	50
12	63.50	AKZ770/12-5.08-V-GREEN	50770120210D	50

Accessories

Figure	Designation	Article Number
	Bridge, 2-pole, insulated, BR/2-5.0/5.08-LIGHT GREY	50000000006
	Bridge, 3-pole, insulated, BR/3-5.0/5.08-LIGHT GREY	50000000007
	Bridge, 2-pole, BR/2-5.0/5.08-L7.0	50000000008
	Screw Cover SC-AK700-YELLOW	50700000004

See pages 214/215 for details and general accessories, and see pages 8/9 concerning services.

Ratings

Usegroup	cULus			VDE	
	B	C	D		
Rated Voltage	300 V	150 V	300 V	250 V	
Rated Current	20 A	20 A	10 A	22 A	
Rated Wire Size	solid	AWG 30-12	AWG 30-12	min	max
	stranded	AWG 30-12	AWG 30-12	0.5 mm ²	2.5 mm ²
Torque	0.45 Nm	0.45 Nm	0.45 Nm	0.50 Nm	
Screw Size	M3	M3	M3	M3	
Test Voltage	1.6 kV	1.6 kV	1.6 kV	2.0 kV	

AK790/..-5.0-V-GREEN



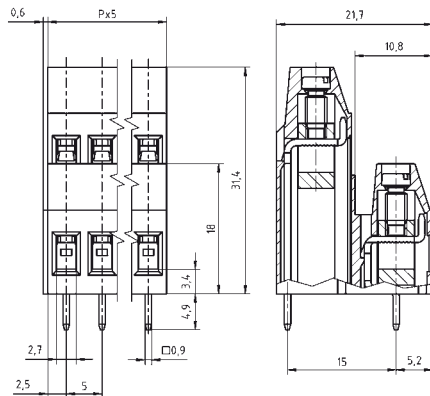
Technical Data

Wire Size		Insulating Material	
Solid min	0.2 mm ²	Material	PA 6.6
Solid max	4.0 mm ²	Flammability Class	UL 94 V-0
Stranded (flexible) min	0.2 mm ²	Temperatures	
Stranded (flexible) max	2.5 mm ²	Operating Temperature	-30 °C - 105 °C
Stranded with Ferrule min	0.25 mm ²	Wave Soldering Process	
Stranded with Ferrule max	2.5 mm ²	Soldering Temperature, recommended	265 °C
Dimensions		Peak Soldering Time, recommended	3-4 s
Stripped Length	8.0 mm	Reflow Process	
PCB Hole Diameter	1.3 mm	Soldering Temperature, recommended	-
Materials		Peak Soldering Time, recommended	-
Clamp	Brass		
Screw	Steel		
Solder Tag	Copper Alloy		

Colours

GREEN, RAL 6018
 LIGHT GREEN, similar RAL 6018





Colours according to RAL, there may be variations on colour due to production conditions. Special colours on request.



Order Data (Spacing 5.0 mm)

Poles	Width (mm)	Article Designation	Article Number	PU
2	10.60	AK790/2-5.0-V-GREEN	50790020201D	50
3	15.60	AK790/3-5.0-V-GREEN	50790030201D	50
4	20.60	AK790/4-5.0-V-GREEN	50790040201D	50
5	25.60	AK790/5-5.0-V-GREEN	50790050201D	50
6	30.60	AK790/6-5.0-V-GREEN	50790060201D	50
7	35.60	AK790/7-5.0-V-GREEN	50790070201D	50
8	40.60	AK790/8-5.0-V-GREEN	50790080201D	50
9	45.60	AK790/9-5.0-V-GREEN	50790090201D	50
10	50.60	AK790/10-5.0-V-GREEN	50790100201D	50
11	55.60	AK790/11-5.0-V-GREEN	50790110201D	50
12	60.60	AK790/12-5.0-V-GREEN	50790120201D	50

Accessories

Figure	Designation	Article Number
	Bridge, 2-pole, insulated, BR/2-5.0/5.08-LIGHT GREY	50000000006
	Bridge, 3-pole, insulated, BR/3-5.0/5.08-LIGHT GREY	50000000007
	Bridge, 2-pole, BR/2-5.0/5.08-L7.0	50000000008
	Screw Cover SC-AK700-YELLOW	50700000004

See pages 214/215 for details and general accessories, and see pages 8/9 concerning services.

Ratings



Usegroup	B	C	D		
Rated Voltage	300 V	150 V	300 V	250 V	
Rated Current	20 A	20 A	10 A	24 A	
Rated Wire Size				min	max
	solid	AWG 30-12	AWG 30-12	AWG 30-12	0.5 mm ² / 2.5 mm ²
	stranded	AWG 30-12	AWG 30-12	AWG 30-12	0.5 mm ² / 2.5 mm ²
Torque	0.45 Nm			0.50 Nm	
Screw Size	M3			M3	
Test Voltage	1.6 kV			2.0 kV	

AK793/..-5.0-V-GREEN



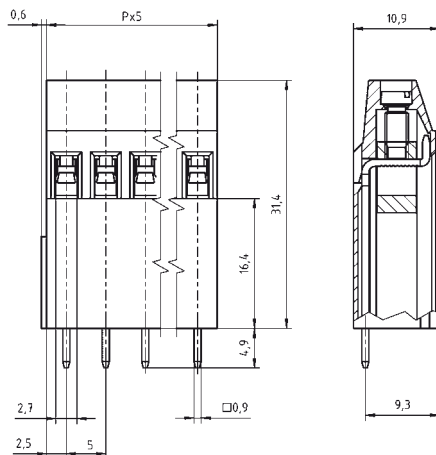
Technical Data

Wire Size		Insulating Material	
Solid min	0.2 mm ²	Material	PA 6.6
Solid max	4.0 mm ²	Flammability Class	UL 94 V-0
Stranded (flexible) min	0.2 mm ²	Temperatures	
Stranded (flexible) max	2.5 mm ²	Operating Temperature	-30 °C - 105 °C
Stranded with Ferrule min	0.25 mm ²	Wave Soldering Process	
Stranded with Ferrule max	2.5 mm ²	Soldering Temperature, recommended	265 °C
Dimensions		Peak Soldering Time, recommended	3-4 s
Stripped Length	8.0 mm	Reflow Process	
PCB Hole Diameter	1.3 mm	Soldering Temperature, recommended	-
Materials		Peak Soldering Time, recommended	-
Clamp	Brass		
Screw	Steel		
Solder Tag	Copper Alloy		

Colours

- GREEN, RAL 6018
- LIGHT GREEN, similar RAL 6018





Colours according to RAL, there may be variations on colour due to production conditions. Special colours on request.



Order Data (Spacing 5.0 mm)

Poles	Width (mm)	Article Designation	Article Number	PU
2	10.60	AK793/2-5.0-V-GREEN	50793020201D	50
4	20.60	AK793/4-5.0-V-GREEN	50793040201D	50
6	30.60	AK793/6-5.0-V-GREEN	50793060201D	50
8	40.60	AK793/8-5.0-V-GREEN	50793080201D	50
10	50.60	AK793/10-5.0-V-GREEN	50793100201D	50
12	60.60	AK793/12-5.0-V-GREEN	50793120201D	50

Accessories

Figure	Designation	Article Number
	Bridge, 2-pole, insulated, BR/2-5.0/5.08-LIGHT GREY	50000000006
	Bridge, 3-pole, insulated, BR/3-5.0/5.08-LIGHT GREY	50000000007
	Bridge, 2-pole, BR/2-5.0/5.08-L7.0	50000000008
	Screw Cover SC-AK700-YELLOW	50700000004

See pages 214/215 for details and general accessories, and see pages 8/9 concerning services.

Ratings

Usegroup	c ALUS			VDE	
	B	C	D	250 V	
Rated Voltage	300 V	150 V	300 V	250 V	
Rated Current	20 A	20 A	10 A	24 A	
Rated Wire Size				min	max
	solid	AWG 30-12	AWG 30-12	AWG 30-12	0.5 mm ² / 4.0 mm ²
	stranded	AWG 30-12	AWG 30-12	AWG 30-12	0.5 mm ² / 2.5 mm ²
Torque	0.45 Nm		0.45 Nm	0.50 Nm	
Screw Size	M3		M3	M3	
Test Voltage	1.6 kV		1.6 kV	2.0 kV	

AKZ840/..-6.35-V-GREEN



Technical Data

Wire Size		Insulating Material	
Solid min	0.2 mm ²	Material	PA 6.6
Solid max	6.0 mm ²	Flammability Class	UL 94 V-0
Stranded (flexible) min		Temperatures	
Stranded (flexible) max	4.0 mm ²	Operating Temperature	-30 °C - 105 °C
Stranded with Ferrule min		Wave Soldering Process	
Stranded with Ferrule max	4.0 mm ²	Soldering Temperature, recommended	265 °C
Dimensions		Peak Soldering Time, recommended	3-4 s
Stripped Length	7.0 mm	Reflow Process	
PCB Hole Diameter	1.6 mm	Soldering Temperature, recommended	-
Materials		Peak Soldering Time, recommended	-
Clamp	Brass		
Screw	Steel		
Solder Tag	Brass		

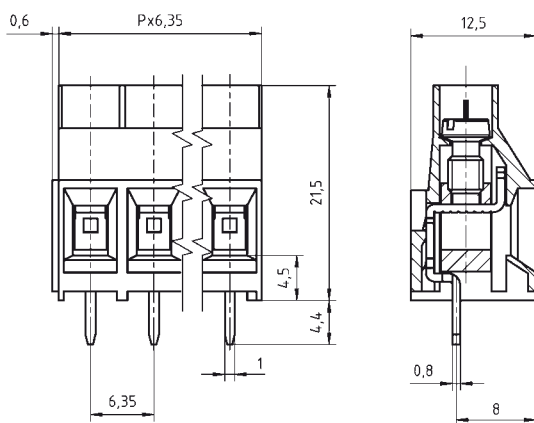
Colours

- GREEN, RAL 6018
- LIGHT GREY, RAL 7035
- LIGHT GREEN, similar RAL 6018

Colours according to RAL, there may be variations on colour due to production conditions. Special colours on request.

Order Data (Spacing 6.35 mm)

Poles	Width (mm)	Article Designation	Article Number	PU
2	13.30	AKZ840/2-6.35-V-GREEN	50840020201D	50
3	19.65	AKZ840/3-6.35-V-GREEN	50840030201D	50
4	26.00	AKZ840/4-6.35-V-GREEN	50840040201D	50
5	32.35	AKZ840/5-6.35-V-GREEN	50840050201D	50
6	38.70	AKZ840/6-6.35-V-GREEN	50840060201D	50
7	45.05	AKZ840/7-6.35-V-GREEN	50840070201D	50
8	51.40	AKZ840/8-6.35-V-GREEN	50840080201D	50
9	57.75	AKZ840/9-6.35-V-GREEN	50840090201D	50
10	64.10	AKZ840/10-6.35-V-GREEN	50840100201D	50
11	70.45	AKZ840/11-6.35-V-GREEN	50840110201D	50
12	76.80	AKZ840/12-6.35-V-GREEN	50840120201D	50
13	83.15	AKZ840/13-6.35-V-GREEN	50840130201D	50
14	89.50	AKZ840/14-6.35-V-GREEN	50840140201D	50
15	95.85	AKZ840/15-6.35-V-GREEN	50840150201D	50
16	102.20	AKZ840/16-6.35-V-GREEN	50840160201D	50



Ratings



Usegroup	B	C	D		
Rated Voltage	300 V	-	300 V	450 V	
Rated Current	30 A	-	10 A	32 A	
Rated Wire Size			min		max
	solid	AWG 28-10	-	AWG 28-10	1.5 mm ² / 4.0 mm ²
	stranded	AWG 28-10	-	AWG 28-10	1.5 mm ² / 4.0 mm ²
Torque	0.80 Nm		0.80 Nm		0.80 Nm
Screw Size	M3.5		M3.5		M3.5
Test Voltage	1.6 kV		1.6 kV		6.0 kV

AK360/..-7.5-V-GREEN



Technical Data

Wire Size		Insulating Material	
Solid min	0.14 mm ²	Material	PA 6.6
Solid max	2.5 mm ²	Flammability Class	UL 94 V-0
Stranded (flexible) min		Temperatures	
Stranded (flexible) max	0.14 mm ²	Operating Temperature	-30 °C - 105 °C
Stranded with Ferrule min		Wave Soldering Process	
Stranded with Ferrule max	0.25 mm ²	Soldering Temperature, recommended	265 °C
Stranded with Ferrule max		Peak Soldering Time, recommended	3-4 s
Dimensions		Reflow Process	
Stripped Length	6.0 mm	Soldering Temperature, recommended	-
PCB Hole Diameter	1.3 mm	Peak Soldering Time, recommended	-
Materials			
Clamp	Brass		
Screw	Steel		
Solder Tag	Copper Alloy		

Colours

	GREEN, RAL 6018		BLACK, RAL 9011
	LIGHT GREEN, similar RAL 6018		

Colours according to RAL, there may be variations on colour due to production conditions. Special colours on request.

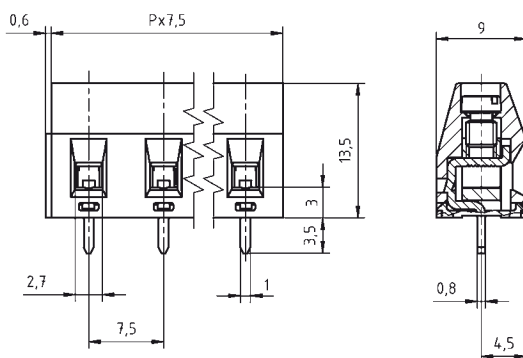
Order Data (Spacing 7.5 mm)

Poles	Width (mm)	Article Designation	Article Number	PU
2	15.60	AK360/2-7.5-V-GREEN	50360020005F	200
3	23.10	AK360/3-7.5-V-GREEN	50360030005F	200
4	30.60	AK360/4-7.5-V-GREEN	50360040005F	200
5	38.10	AK360/5-7.5-V-GREEN	50360050005E	100
6	45.60	AK360/6-7.5-V-GREEN	50360060005E	100
7	53.10	AK360/7-7.5-V-GREEN	50360070005E	100
8	60.60	AK360/8-7.5-V-GREEN	50360080005E	100
9	68.10	AK360/9-7.5-V-GREEN	50360090005E	100
10	75.60	AK360/10-7.5-V-GREEN	50360100005D	50
11	83.10	AK360/11-7.5-V-GREEN	50360110005D	50
12	90.60	AK360/12-7.5-V-GREEN	50360120005D	50

Accessories

Figure	Designation	Article Number
	Bridge, 2-pole, insulated, BRI/2-7.5-7.62-L8.2-LIGHT GREY	50000000017

See pages 214/215 for details and general accessories, and see pages 8/9 concerning services.



Ratings



Usegroup	B		C		D	
	300 V	150 V	300 V	150 V	300 V	750 V
Rated Voltage	300 V	150 V	300 V	150 V	300 V	750 V
Rated Current	16 A	16 A	16 A	16 A	10 A	24 A
Rated Wire Size					min	max
	solid	AWG 22-12	AWG 22-12	AWG 22-12	0.5 mm ²	2.5 mm ²
	stranded	AWG 22-12	AWG 22-12	AWG 22-12	0.5 mm ²	1.5 mm ²
Torque	0.45 Nm		0.45 Nm		0.50 Nm	
Screw Size	M3		M3		M3	
Test Voltage	1.6 kV		1.6 kV		3.0 kV	

AK360/..-7.5-H-GREEN



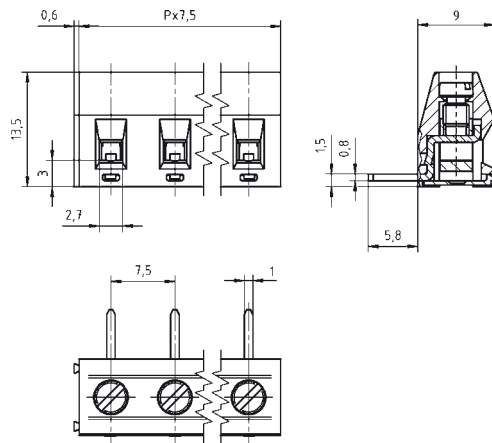
Technical Data

Wire Size		Insulating Material	
Solid min	0.14 mm ²	Material	PA 6.6
Solid max	2.5 mm ²	Flammability Class	UL 94 V-0
Stranded (flexible) min	0.14 mm ²	Temperatures	
Stranded (flexible) max	1.5 mm ²	Operating Temperature	-30 °C - 105 °C
Stranded with Ferrule min	0.25 mm ²	Wave Soldering Process	
Stranded with Ferrule max	1.5 mm ²	Soldering Temperature, recommended	265 °C
Dimensions		Peak Soldering Time, recommended	3-4 s
Stripped Length	6.0 mm	Reflow Process	
PCB Hole Diameter	1.3 mm	Soldering Temperature, recommended	-
Materials		Peak Soldering Time, recommended	-
Clamp	Brass		
Screw	Steel		
Solder Tag	Copper Alloy		

Colours

GREEN, RAL 6018 BLACK, RAL 9011

Colours according to RAL, there may be variations on colour due to production conditions. Special colours on request.



Order Data (Spacing 7.5 mm)

Poles	Width (mm)	Article Designation	Article Number	PU
2	15.60	AK360/2-7.5-H-GREEN	50360020207F	200
3	23.10	AK360/3-7.5-H-GREEN	50360030207F	200
4	30.60	AK360/4-7.5-H-GREEN	50360040207F	200
5	38.10	AK360/5-7.5-H-GREEN	50360050207E	100
6	45.60	AK360/6-7.5-H-GREEN	50360060207E	100
7	53.10	AK360/7-7.5-H-GREEN	50360070207E	100
8	60.60	AK360/8-7.5-H-GREEN	50360080207E	100
9	68.10	AK360/9-7.5-H-GREEN	50360090207E	100
10	75.60	AK360/10-7.5-H-GREEN	50360100207D	50
11	83.10	AK360/11-7.5-H-GREEN	50360110207D	50
12	90.60	AK360/12-7.5-H-GREEN	50360120207D	50

Accessories

Figure	Designation	Article Number
	Bridge, 2-pole, insulated, BRI/2-7.5-7.62-L8.2-LIGHT GREY	50000000017

See pages 214/215 for details and general accessories, and see pages 8/9 concerning services.

Ratings

Usegroup	c RALUS			VDE	
	B	C	D	750 V	
Rated Voltage	300 V	150 V	300 V	750 V	
Rated Current	16 A	16 A	10 A	24 A	
Rated Wire Size	solid	AWG 22-12	AWG 22-12	min	max
	stranded	AWG 22-12	AWG 22-12	0.5 mm ²	2.5 mm ²
Torque	0.45 Nm	0.45 Nm	0.45 Nm	0.50 Nm	
Screw Size	M3	M3	M3	M3	
Test Voltage	1.6 kV	1.6 kV	1.6 kV	3.0 kV	

AK710/..-7.5-V-GREEN AKZ710/..-7.62-V-GREEN



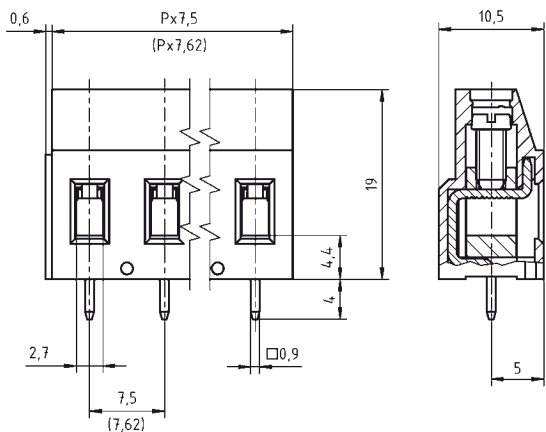
Technical Data

Wire Size		Insulating Material	
Solid min	0.2 mm ²	Material	PA 6.6
Solid max	4.0 mm ²	Flammability Class	UL 94 V-0
Stranded (flexible) min		Temperatures	
Stranded (flexible) min	0.2 mm ²	Operating Temperature	-30 °C - 105 °C
Stranded with Ferrule min	0.25 mm ²	Wave Soldering Process	
Stranded with Ferrule max	2.5 mm ²	Soldering Temperature, recommended	265 °C
		Peak Soldering Time, recommended	3-4 s
Dimensions		Reflow Process	
Stripped Length	8.0 mm	Soldering Temperature, recommended	-
PCB Hole Diameter	1.3 mm	Peak Soldering Time, recommended	-
Materials			
Clamp	Brass		
Screw	Steel		
Solder Tag	Copper Alloy		

Colours

	GREEN, RAL 6018		BLACK, RAL 9011
	PEBBLE GREY, RAL 7032		BLUE, RAL 5015
	LIGHT GREEN, similar RAL 6018		

Colours according to RAL, there may be variations on colour due to production conditions. Special colours on request.



Order Data (Spacing 7.5 mm)

Poles	Width (mm)	Article Designation	Article Number	PU
2	15.60	AK710/2-7.5-V-GREEN	50710020201E	100
3	23.10	AK710/3-7.5-V-GREEN	50710030201E	100
4	30.60	AK710/4-7.5-V-GREEN	50710040201E	100
5	38.10	AK710/5-7.5-V-GREEN	50710050201E	100
6	45.60	AK710/6-7.5-V-GREEN	50710060201D	50
7	53.10	AK710/7-7.5-V-GREEN	50710070201D	50
8	60.60	AK710/8-7.5-V-GREEN	50710080201D	50
9	68.10	AK710/9-7.5-V-GREEN	50710090201D	50
...
12	90.60	AK710/12-7.5-V-GREEN	50710120201D	50

Order Data (Spacing 7.62 mm)

Poles	Width (mm)	Article Designation	Article Number	PU
2	15.84	AKZ710/2-7.62-V-GREEN	50710020213E	100
3	23.46	AKZ710/3-7.62-V-GREEN	50710030213E	100
4	31.08	AKZ710/4-7.62-V-GREEN	50710040213E	100
5	38.70	AKZ710/5-7.62-V-GREEN	50710050213E	100
6	46.32	AKZ710/6-7.62-V-GREEN	50710060213D	50
7	53.94	AKZ710/7-7.62-V-GREEN	50710070213D	50
8	61.56	AKZ710/8-7.62-V-GREEN	50710080213D	50
9	69.18	AKZ710/9-7.62-V-GREEN	50710090213D	50
...
12	92.04	AKZ710/12-7.62-V-GREEN	50710120213D	50

Accessories

Figure	Designation	Article Number
	Bridge, 2-pole, insulated, BRV2-7.5-7.62-L8.2-LIGHT GREY	50000000017
	Screw Cover SC-AK700-YELLOW	50700000004

See pages 214/215 for details and general accessories, and see pages 8/9 concerning services.

Ratings

Usegroup	c					
	B	C	D	750 V		
Rated Voltage	300 V	150 V	300 V	750 V		
Rated Current	20 A	20 A	10 A	24 A		
Rated Wire Size				min	max	
	solid	AWG 30-12	AWG 30-12	AWG 30-12	0.5 mm ²	4.0 mm ²
	stranded	AWG 30-12	AWG 30-12	AWG 30-12	0.5 mm ²	2.5 mm ²
Torque	0.45 Nm		0.45 Nm	0.50 Nm		
Screw Size	M3		M3	M3		
Test Voltage	1.6 kV		1.6 kV	3.0 kV		

AKZ841/..-9.52-V-GREEN



Technical Data

Wire Size		Insulating Material	
Solid min	0.2 mm ²	Material	PA 6.6
Solid max	6.0 mm ²	Flammability Class	UL 94 V-0
Stranded (flexible) min	0.2 mm ²	Temperatures	
Stranded (flexible) max	4.0 mm ²	Operating Temperature	-30 °C - 105 °C
Stranded with Ferrule min	0.25 mm ²	Wave Soldering Process	
Stranded with Ferrule max	4.0 mm ²	Soldering Temperature, recommended	265 °C
Dimensions		Peak Soldering Time, recommended	3-4 s
Stripped Length	7.0 mm	Reflow Process	
PCB Hole Diameter	1.6 mm	Soldering Temperature, recommended	-
Materials		Peak Soldering Time, recommended	-
Clamp	Brass		
Screw	Steel		
Solder Tag	Brass		

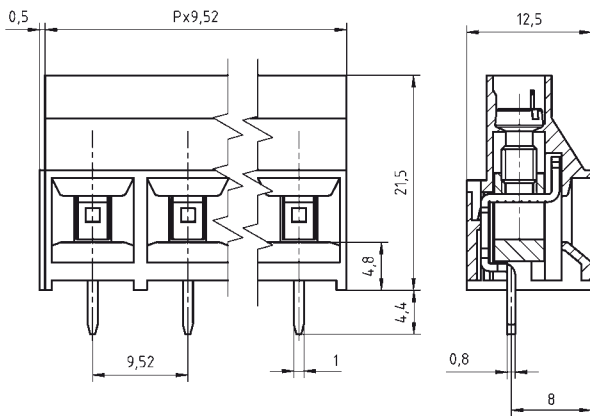
Colours

- GREEN, RAL 6018
- LIGHT GREEN, similar RAL 6018

Colours according to RAL, there may be variations on colour due to production conditions. Special colours on request.

Order Data (Spacing 9.52 mm)

Poles	Width (mm)	Article Designation	Article Number	PU
2	19.54	AKZ841/2-9.52-V-GREEN	50841020201D	50
3	29.06	AKZ841/3-9.52-V-GREEN	50841030201D	50
4	38.58	AKZ841/4-9.52-V-GREEN	50841040201D	50
5	48.10	AKZ841/5-9.52-V-GREEN	50841050201D	50
6	57.62	AKZ841/6-9.52-V-GREEN	50841060201D	50
7	67.14	AKZ841/7-9.52-V-GREEN	50841070201D	50
8	76.66	AKZ841/8-9.52-V-GREEN	50841080201D	50
9	86.18	AKZ841/9-9.52-V-GREEN	50841090201D	50
10	95.70	AKZ841/10-9.52-V-GREEN	50841100201D	50
11	105.22	AKZ841/11-9.52-V-GREEN	50841110201D	50
12	114.74	AKZ841/12-9.52-V-GREEN	50841120201D	50
13	124.26	AKZ841/13-9.52-V-GREEN	50841130201D	50
14	133.78	AKZ841/14-9.52-V-GREEN	50841140201D	50
15	143.30	AKZ841/15-9.52-V-GREEN	50841150201D	50
16	152.82	AKZ841/16-9.52-V-GREEN	50841160201D	50



Ratings



Usegroup	B	C	D		
Rated Voltage	300 V	-	600 V	1000 V	
Rated Current	30 A	-	5 A	32 A	
Rated Wire Size			min		max
	solid	AWG 28-10	-	AWG 28-10	0.2 mm ² / 4.0 mm ²
	stranded	AWG 28-10	-	AWG 28-10	0.2 mm ² / 4.0 mm ²
Torque	0.80 Nm		0.80 Nm		0.80 Nm
Screw Size	M3.5		M3.5		M3.5
Test Voltage	1.6 kV		1.6 kV		3.5 kV

AKZ250/..-10.16-V-GREEN



Technical Data

Wire Size		Insulating Material	
Solid min	0.14 mm ²	Material	PA 6.6
Solid max	1.5 mm ²	Flammability Class	UL 94 V-0
Stranded (flexible) min	0.14 mm ²	Temperatures	
Stranded (flexible) max	1.5 mm ²	Operating Temperature	-30 °C - 105 °C
Stranded with Ferrule min	0.25 mm ²	Wave Soldering Process	
Stranded with Ferrule max	1.5 mm ²	Soldering Temperature, recommended	265 °C
Dimensions		Peak Soldering Time, recommended	3-4 s
Stripped Length	6.0 mm	Reflow Process	
PCB Hole Diameter	1.3 mm	Soldering Temperature, recommended	-
Materials		Peak Soldering Time, recommended	-
Clamp	Brass		
Screw	Steel		
Solder Tag	Bronze		

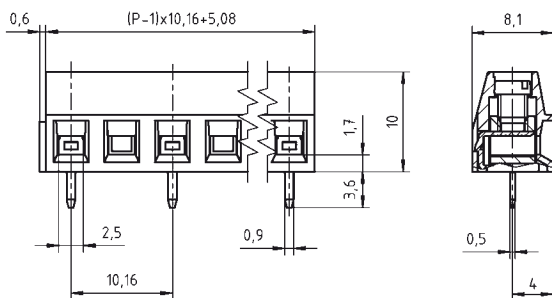
Colours

GREEN, RAL 6018
 LIGHT GREEN, similar RAL 6018

Colours according to RAL, there may be variations on colour due to production conditions. Special colours on request.

Order Data (Spacing 10.16 mm)

Poles	Width (mm)	Article Designation	Article Number	PU
2	15.84	AKZ250/2-10.16-V-GREEN	50250020021F	200
3	26.00	AKZ250/3-10.16-V-GREEN	50250030021F	200
4	36.16	AKZ250/4-10.16-V-GREEN	50250040021E	100
5	46.32	AKZ250/5-10.16-V-GREEN	50250050021E	100
6	56.48	AKZ250/6-10.16-V-GREEN	50250060021D	50



Ratings



Usegroup	B	C	D		
Rated Voltage	300 V	150 V	300 V	1000 V	
Rated Current	15 A	15 A	10 A	13 A	
Rated Wire Size				min	max
	solid	AWG 28-14	AWG 28-14	AWG 28-14	0.5 mm ² / 1.5 mm ²
	stranded	AWG 28-14	AWG 28-14	AWG 28-14	0.5 mm ² / 1.5 mm ²
Torque	0.50 Nm	0.50 Nm	0.50 Nm	0.50 Nm	
Screw Size	M3	M3	M3	M3	
Test Voltage	1.6 kV	1.6 kV	1.6 kV	3.5 kV	

AK350/..-10.0-V-GREEN AKZ350/..-10.16-V-GREEN



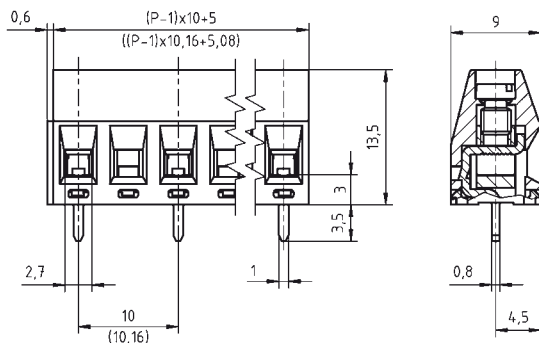
Technical Data

Wire Size		Insulating Material	
Solid min	0.14 mm ²	Material	PA 6.6
Solid max	2.5 mm ²	Flammability Class	UL 94 V-0
Stranded (flexible) min	0.14 mm ²	Temperatures	
Stranded (flexible) max	1.5 mm ²	Operating Temperature	-30 °C - 105 °C
Stranded with Ferrule min	0.25 mm ²	Wave Soldering Process	
Stranded with Ferrule max	1.5 mm ²	Soldering Temperature, recommended	265 °C
Dimensions		Peak Soldering Time, recommended	3-4 s
Stripped Length	6.0 mm	Reflow Process	
PCB Hole Diameter	1.3 mm	Soldering Temperature, recommended	-
Materials		Peak Soldering Time, recommended	-
Clamp	Brass	Solder Tag	Copper Alloy
Screw	Steel		

Colours

	GREEN, RAL 6018		LIGHT GREY, RAL 7035
	BLUE, RAL 5015		LIGHT GREEN, similar RAL 6018

Colours according to RAL, there may be variations on colour due to production conditions. Special colours on request.



Order Data (Spacing 10.0 mm)

Poles	Width (mm)	Article Designation	Article Number	PU
2	15.60	AK350/2-10.0-V-GREEN	50350020025F	200
3	25.60	AK350/3-10.0-V-GREEN	50350030025F	200
4	35.60	AK350/4-10.0-V-GREEN	50350040025E	100
5	45.60	AK350/5-10.0-V-GREEN	50350050025E	100
6	55.60	AK350/6-10.0-V-GREEN	50350060025D	50
7	65.60	AK350/7-10.0-V-GREEN	50350070025D	50
8	75.60	AK350/8-10.0-V-GREEN	50350080025D	50
9	85.60	AK350/9-10.0-V-GREEN	50350090025D	50
...
12	115.60	AK350/12-10.0-V-GREEN	50350120025D	50

Order Data (Spacing 10.16 mm)

Poles	Width (mm)	Article Designation	Article Number	PU
2	15.84	AKZ350/2-10.16-V-GREEN	50350020021F	200
3	26.00	AKZ350/3-10.16-V-GREEN	50350030021F	200
4	36.16	AKZ350/4-10.16-V-GREEN	50350040021E	100
5	46.32	AKZ350/5-10.16-V-GREEN	50350050021E	100
6	56.48	AKZ350/6-10.16-V-GREEN	50350060021D	50
7	66.64	AKZ350/7-10.16-V-GREEN	50350070021D	50
8	76.80	AKZ350/8-10.16-V-GREEN	50350080021D	50
9	86.96	AKZ350/9-10.16-V-GREEN	50350090021D	50
...
12	117.44	AKZ350/12-10.16-V-GREEN	50350120021D	50

Ratings



Usegroup	B	C	D	1000 V	
Rated Voltage	300 V	150 V	300 V	1000 V	
Rated Current	16 A	16 A	10 A	24 A	
Rated Wire Size				min	max
	solid	AWG 22-12	AWG 22-12	AWG 22-12	0.5 mm ² / 2.5 mm ²
	stranded	AWG 22-12	AWG 22-12	AWG 22-12	0.5 mm ² / 1.5 mm ²
Torque	0.45 Nm		0.45 Nm	0.50 Nm	
Screw Size	M3		M3	M3	
Test Voltage	1.6 kV		1.6 kV	3.5 kV	

AK350/..-10.0-H-GREEN AKZ350/..-10.16-H-GREEN



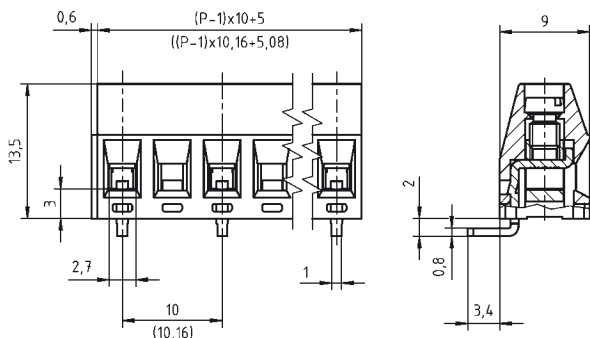
Technical Data

Wire Size		Insulating Material	
Solid min	0.14 mm ²	Material	PA 6.6
Solid max	2.5 mm ²	Flammability Class	UL 94 V-0
Stranded (flexible) min		Temperatures	
Stranded (flexible) max	0.14 mm ²	Operating Temperature	-30 °C - 105 °C
Stranded with Ferrule min	1.5 mm ²	Wave Soldering Process	
Stranded with Ferrule max	0.25 mm ²	Soldering Temperature, recommended	265 °C
Stranded with Ferrule max		Peak Soldering Time, recommended	3-4 s
Dimensions		Reflow Process	
Stripped Length	6.0 mm	Soldering Temperature, recommended	-
PCB Hole Diameter	1.3 mm	Peak Soldering Time, recommended	-
Materials			
Clamp	Brass		
Screw	Steel		
Solder Tag	Copper Alloy		

Colours

	GREEN, RAL 6018		LIGHT GREY, RAL 7035
	BLUE, RAL 5015		LIGHT GREEN, similar RAL 6018

Colours according to RAL, there may be variations on colour due to production conditions. Special colours on request.



Order Data (Spacing 10.0 mm)

Poles	Width (mm)	Article Designation	Article Number	PU
2	15.60	AK350/2-10.0-H-GREEN	50350020225F	200
3	25.60	AK350/3-10.0-H-GREEN	50350030225F	200
4	35.60	AK350/4-10.0-H-GREEN	50350040225E	100
5	45.60	AK350/5-10.0-H-GREEN	50350050225E	100
6	55.60	AK350/6-10.0-H-GREEN	50350060225D	50
7	65.60	AK350/7-10.0-H-GREEN	50350070225D	50
8	75.60	AK350/8-10.0-H-GREEN	50350080225D	50
9	85.60	AK350/9-10.0-H-GREEN	50350090225D	50
...
12	115.60	AK350/12-10.0-H-GREEN	50350120225D	50

Order Data (Spacing 10.16 mm)

Poles	Width (mm)	Article Designation	Article Number	PU
2	15.84	AKZ350/2-10.16-H-GREEN	50350020221F	200
3	26.00	AKZ350/3-10.16-H-GREEN	50350030221F	200
4	36.16	AKZ350/4-10.16-H-GREEN	50350040221E	100
5	46.32	AKZ350/5-10.16-H-GREEN	50350050221E	100
6	56.48	AKZ350/6-10.16-H-GREEN	50350060221D	50
7	66.64	AKZ350/7-10.16-H-GREEN	50350070221D	50
8	76.80	AKZ350/8-10.16-H-GREEN	50350080221D	50
9	86.96	AKZ350/9-10.16-H-GREEN	50350090221D	50
...
12	117.44	AKZ350/12-10.16-H-GREEN	50350120221D	50

Ratings

Usegroup	c ALUS			VDE	
	B	C	D	1000 V	
Rated Voltage	300 V	150 V	300 V	1000 V	
Rated Current	16 A	16 A	10 A	24 A	
Rated Wire Size				min	max
	solid	AWG 22-12	AWG 22-12	AWG 22-12	0.5 mm ² / 2.5 mm ²
	stranded	AWG 22-12	AWG 22-12	AWG 22-12	0.5 mm ² / 1.5 mm ²
Torque	0.45 Nm		0.45 Nm	0.50 Nm	
Screw Size	M3		M3	M3	
Test Voltage	1.6 kV		1.6 kV	3.5 kV	

AK2200/..-5.0-V-GREEN

1- to n-poles



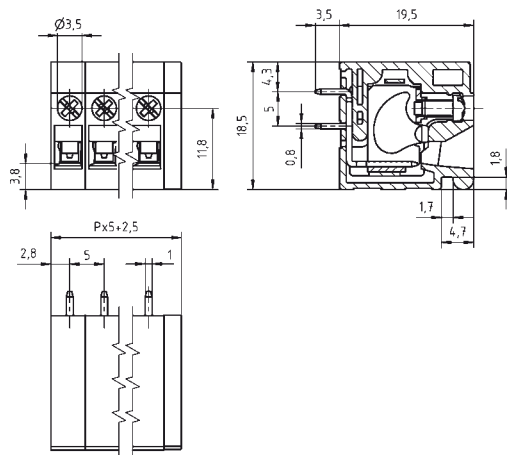
Technical Data

Wire Size		Insulating Material	
Solid min	0.2 mm ²	Material	PA 6.6
Solid max	4.0 mm ²	Flammability Class	UL 94 V-0
Stranded (flexible) min		Temperatures	
Stranded (flexible) max	0.2 mm ²	Operating Temperature	-30 °C - 105 °C
Stranded with Ferrule min	0.25 mm ²	Wave Soldering Process	
Stranded with Ferrule max	2.5 mm ²	Soldering Temperature, recommended	265 °C
Dimensions		Peak Soldering Time, recommended	3-4 s
Stripped Length	9.0 mm	Reflow Process	
PCB Hole Diameter	1.3 mm	Soldering Temperature, recommended	-
Materials		Peak Soldering Time, recommended	-
Screw	Steel		
Solder Tag	Copper Alloy		
Clamp Cage	Steel		
Excenter	Steel		

Colours

- GREEN, RAL 6018
- BLACK, RAL 9011
- LIGHT GREEN, similar RAL 6018


Colours according to RAL, there may be variations on colour due to production conditions. Special colours on request.



Order Data (Spacing 5.0 mm)

Poles	Width (mm)	Article Designation	Article Number	PU
2	12.50	AK2200/2-5.0-V-GREEN	52200020001D	50
3	17.50	AK2200/3-5.0-V-GREEN	52200030001D	50
4	22.50	AK2200/4-5.0-V-GREEN	52200040001D	50
5	27.50	AK2200/5-5.0-V-GREEN	52200050001D	50
6	32.50	AK2200/6-5.0-V-GREEN	52200060001D	50
7	37.50	AK2200/7-5.0-V-GREEN	52200070001D	50
8	42.50	AK2200/8-5.0-V-GREEN	52200080001D	50
9	47.50	AK2200/9-5.0-V-GREEN	52200090001D	50
10	52.50	AK2200/10-5.0-V-GREEN	52200100001D	50
11	57.50	AK2200/11-5.0-V-GREEN	52200110001D	50
12	62.50	AK2200/12-5.0-V-GREEN	52200120001D	50

Accessories

Figure	Designation	Article Number
	Spacer SPC-AK2200-GREEN	52200000002

See pages 214/215 for details and general accessories, and see pages 8/9 concerning services.

Ratings



Usecgroup	B	C	D		
Rated Voltage	300 V	150 V	300 V	250 V	
Rated Current	20 A	20 A	10 A	24 A	
Rated Wire Size				min	max
	solid	AWG 30-12	AWG 30-12	AWG 30-12	0.5 mm ² / 2.5 mm ²
	stranded	AWG 30-12	AWG 30-12	AWG 30-12	0.5 mm ² / 2.5 mm ²
Torque	0.50 - 0.60 Nm		0.50 - 0.60 Nm	0.50 Nm	
Screw Size	M2.5		M2.5	M2.5	
Test Voltage	1.6 kV		1.6 kV	2.0 kV	

AK2200/..-5.0-H-GREEN

1- to n-poles



Technical Data

Wire Size		Insulating Material	
Solid min	0.2 mm ²	Material	PA 6.6
Solid max	4.0 mm ²	Flammability Class	UL 94 V-0
Stranded (flexible) min		Temperatures	
Stranded (flexible) max	0.2 mm ²	Operating Temperature	-30 °C - 105 °C
Stranded with Ferrule min	0.25 mm ²	Wave Soldering Process	
Stranded with Ferrule max	2.5 mm ²	Soldering Temperature, recommended	265 °C
Dimensions		Peak Soldering Time, recommended	3-4 s
Stripped Length	9.0 mm	Reflow Process	
PCB Hole Diameter	1.3 mm	Soldering Temperature, recommended	-
Materials		Peak Soldering Time, recommended	-
Screw	Steel		
Solder Tag	Copper Alloy		
Clamp Cage	Steel		
Excenter	Steel		

Colours

- GREEN, RAL 6018
- BLACK, RAL 9011
- LIGHT GREEN, similar RAL 6018

Colours according to RAL, there may be variations on colour due to production conditions. Special colours on request.

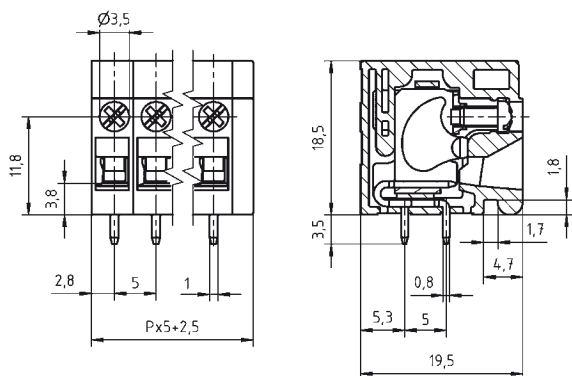
Order Data (Spacing 5.0 mm)

Poles	Width (mm)	Article Designation	Article Number	PU
2	12.50	AK2200/2-5.0-H-GREEN	52200020051D	50
3	17.50	AK2200/3-5.0-H-GREEN	52200030051D	50
4	22.50	AK2200/4-5.0-H-GREEN	52200040051D	50
5	27.50	AK2200/5-5.0-H-GREEN	52200050051D	50
6	32.50	AK2200/6-5.0-H-GREEN	52200060051D	50
7	37.50	AK2200/7-5.0-H-GREEN	52200070051D	50
8	42.50	AK2200/8-5.0-H-GREEN	52200080051D	50
9	47.50	AK2200/9-5.0-H-GREEN	52200090051D	50
10	52.50	AK2200/10-5.0-H-GREEN	52200100051D	50
11	57.50	AK2200/11-5.0-H-GREEN	52200110051D	50
12	62.50	AK2200/12-5.0-H-GREEN	52200120051D	50

Accessories

Figure	Designation	Article Number
	Spacer SPC-AK2200-GREEN	52200000002

See pages 214/215 for details and general accessories, and see pages 8/9 concerning services.



Ratings



Usegroup	B		C		D	
	Rated Voltage	300 V	150 V	300 V	250 V	250 V
Rated Current	20 A		20 A		10 A	
Rated Wire Size	min		max			
	solid	AWG 30-12	AWG 30-12	AWG 30-12	0.5 mm ²	2.5 mm ²
Torque	0.50 - 0.60 Nm		0.50 - 0.60 Nm		0.50 Nm	
Screw Size	M2.5		M2.5		M2.5	
Test Voltage	1.6 kV		1.6 kV		1.6 kV	

AK2200/..-7.5-V-GREEN

1- to n-poles



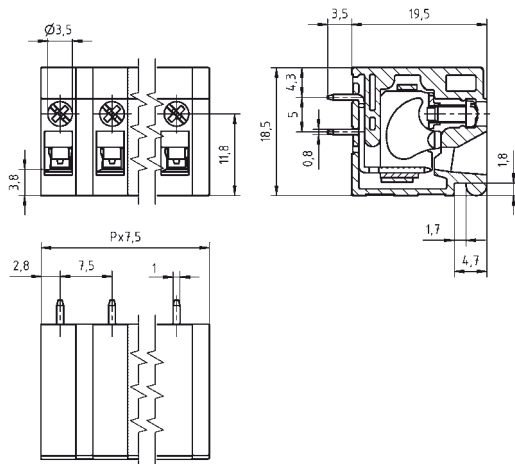
Technical Data

Wire Size		Insulating Material	
Solid min	0.2 mm ²	Material	PA 6.6
Solid max	4.0 mm ²	Flammability Class	UL 94 V-0
Stranded (flexible) min		Temperatures	
Stranded (flexible) max	0.2 mm ²	Operating Temperature	-30 °C - 105 °C
Stranded with Ferrule min	0.25 mm ²	Wave Soldering Process	
Stranded with Ferrule max	2.5 mm ²	Soldering Temperature, recommended	265 °C
Dimensions		Peak Soldering Time, recommended	3-4 s
Stripped Length	9.0 mm	Reflow Process	
PCB Hole Diameter	1.3 mm	Soldering Temperature, recommended	-
Materials		Peak Soldering Time, recommended	-
Screw	Steel		
Solder Tag	Copper Alloy		
Clamp Cage	Steel		
Excenter	Steel		

Colours

	GREEN, RAL 6018		BLACK, RAL 9011
	LIGHT GREEN, similar RAL 6018		

Colours according to RAL, there may be variations on colour due to production conditions. Special colours on request.



Order Data (Spacing 7.5 mm)

Poles	Width (mm)	Article Designation	Article Number	PU
2	15.00	AK2200/2-7.5-V-GREEN	52200020021D	50
3	22.50	AK2200/3-7.5-V-GREEN	52200030021D	50
4	30.00	AK2200/4-7.5-V-GREEN	52200040021D	50
5	37.50	AK2200/5-7.5-V-GREEN	52200050021D	50
6	45.00	AK2200/6-7.5-V-GREEN	52200060021D	50
7	52.50	AK2200/7-7.5-V-GREEN	52200070021D	50
8	60.00	AK2200/8-7.5-V-GREEN	52200080021D	50
9	67.50	AK2200/9-7.5-V-GREEN	52200090021D	50
10	75.00	AK2200/10-7.5-V-GREEN	52200100021D	50
11	82.50	AK2200/11-7.5-V-GREEN	52200110021D	50
12	90.00	AK2200/12-7.5-V-GREEN	52200120021D	50

Accessories

Figure	Designation	Article Number
	Spacer SPC-AK2200-GREEN	52200000002

See pages 214/215 for details and general accessories, and see pages 8/9 concerning services.

Ratings

Usegroup	c ALUS			VDE	
	B	C	D	450 V	
Rated Voltage	300 V	150 V	300 V	450 V	
Rated Current	20 A	20 A	10 A	24 A	
Rated Wire Size				min	max
	solid	AWG 30-12	AWG 30-12	AWG 30-12	0.5 mm ² / 2.5 mm ²
	stranded	AWG 30-12	AWG 30-12	AWG 30-12	0.5 mm ² / 2.5 mm ²
Torque	0.50 - 0.60 Nm		0.50 - 0.60 Nm	0.50 Nm	
Screw Size	M2.5		M2.5	M2.5	
Test Voltage	1.6 kV		1.6 kV	2.5 kV	

AK2200/..-7.5-H-GREEN

1- to n-poles



Technical Data

Wire Size		Insulating Material	
Solid min	0.2 mm ²	Material	PA 6.6
Solid max	4.0 mm ²	Flammability Class	UL 94 V-0
Stranded (flexible) min		Temperatures	
Stranded (flexible) max	0.2 mm ²	Operating Temperature	-30 °C - 105 °C
Stranded with Ferrule min	0.25 mm ²	Wave Soldering Process	
Stranded with Ferrule max	2.5 mm ²	Soldering Temperature, recommended	265 °C
Dimensions		Peak Soldering Time, recommended	3-4 s
Stripped Length	9.0 mm	Reflow Process	
PCB Hole Diameter	1.3 mm	Soldering Temperature, recommended	-
Materials		Peak Soldering Time, recommended	-
Screw	Steel		
Solder Tag	Copper Alloy		
Clamp Cage	Steel		
Excenter	Steel		

Colours

- GREEN, RAL 6018
- BLACK, RAL 9011
- LIGHT GREEN, similar RAL 6018

Colours according to RAL, there may be variations on colour due to production conditions. Special colours on request.

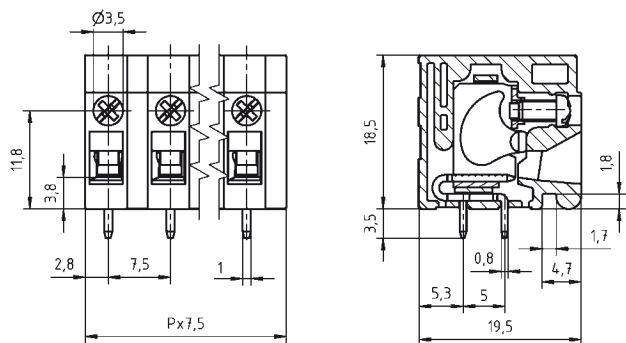
Order Data (Spacing 7.5 mm)

Poles	Width (mm)	Article Designation	Article Number	PU
2	15.00	AK2200/2-7.5-H-GREEN	52200020071D	50
3	22.50	AK2200/3-7.5-H-GREEN	52200030071D	50
4	30.00	AK2200/4-7.5-H-GREEN	52200040071D	50
5	37.50	AK2200/5-7.5-H-GREEN	52200050071D	50
6	45.00	AK2200/6-7.5-H-GREEN	52200060071D	50
7	52.50	AK2200/7-7.5-H-GREEN	52200070071D	50
8	60.00	AK2200/8-7.5-H-GREEN	52200080071D	50
9	67.50	AK2200/9-7.5-H-GREEN	52200090071D	50
10	75.00	AK2200/10-7.5-H-GREEN	52200100071D	50
11	82.50	AK2200/11-7.5-H-GREEN	52200110071D	50
12	90.00	AK2200/12-7.5-H-GREEN	52200120071D	50

Accessories

Figure	Designation	Article Number
	Spacer SPC-AK2200-GREEN	52200000002

See pages 214/215 for details and general accessories, and see pages 8/9 concerning services.



Ratings



Usegroup	B		C		D	
	300 V	20 A	150 V	20 A	300 V	10 A
Rated Voltage	300 V		150 V		300 V	
Rated Current	20 A		20 A		10 A	
Rated Wire Size					min	max
	solid	AWG 30-12	AWG 30-12	AWG 30-12	0.5 mm ²	2.5 mm ²
	stranded	AWG 30-12	AWG 30-12	AWG 30-12	0.5 mm ²	2.5 mm ²
Torque	0.50 - 0.60 Nm		0.50 - 0.60 Nm		0.50 Nm	
Screw Size	M2.5		M2.5		M2.5	
Test Voltage	1.6 kV		1.6 kV		1.6 kV	

AK2200/..-10.0-V-GREEN

1- to n-poles



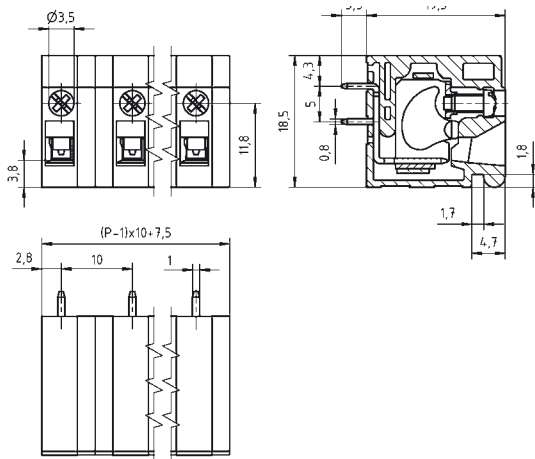
Technical Data

Wire Size		Insulating Material	
Solid min	0.2 mm ²	Material	PA 6.6
Solid max	4.0 mm ²	Flammability Class	UL 94 V-0
Stranded (flexible) min		Temperatures	
Stranded (flexible) max	2.5 mm ²	Operating Temperature	-30 °C - 105 °C
Stranded with Ferrule min		Wave Soldering Process	
Stranded with Ferrule max	2.5 mm ²	Soldering Temperature, recommended	265 °C
Dimensions		Peak Soldering Time, recommended	3-4 s
Stripped Length	9.0 mm	Reflow Process	
PCB Hole Diameter	1.3 mm	Soldering Temperature, recommended	-
Materials		Peak Soldering Time, recommended	-
Screw	Steel		
Solder Tag	Copper Alloy		
Clamp Cage	Steel		
Excenter	Steel		

Colours

- GREEN, RAL 6018
- BLACK, RAL 9011
- LIGHT GREEN, similar RAL 6018


Colours according to RAL, there may be variations on colour due to production conditions. Special colours on request.



Order Data (Spacing 10.0 mm)

Poles	Width (mm)	Article Designation	Article Number	PU
2	17.50	AK2200/2-10.0-V-GREEN	52200020041D	50
3	27.50	AK2200/3-10.0-V-GREEN	52200030041D	50
4	37.50	AK2200/4-10.0-V-GREEN	52200040041D	50
5	47.50	AK2200/5-10.0-V-GREEN	52200050041D	50
6	57.50	AK2200/6-10.0-V-GREEN	52200060041D	50
7	67.50	AK2200/7-10.0-V-GREEN	52200070041D	50
8	77.50	AK2200/8-10.0-V-GREEN	52200080041D	50
9	87.50	AK2200/9-10.0-V-GREEN	52200090041D	50
10	97.50	AK2200/10-10.0-V-GREEN	52200100041D	50
11	107.50	AK2200/11-10.0-V-GREEN	52200110041D	50
12	117.50	AK2200/12-10.0-V-GREEN	52200120041D	50

Accessories

Figure	Designation	Article Number
	Spacer SPC-AK2200-GREEN	52200000002

See pages 214/215 for details and general accessories, and see pages 8/9 concerning services.

Ratings



Usegroup	B	C	D		
Rated Voltage	600 V	-	600 V	1000 V	
Rated Current	20 A	-	5 A	24 A	
Rated Wire Size			min		max
	solid	AWG 30-12	-	AWG 30-12	0.5 mm ² / 2.5 mm ²
	stranded	AWG 30-12	-	AWG 30-12	0.5 mm ² / 2.5 mm ²
Torque	0.50 - 0.60 Nm		-	0.50 - 0.60 Nm	0.50 Nm
Screw Size	M2.5		-	M2.5	M2.5
Test Voltage	2.2 kV		-	2.2 kV	3.5 kV

AK2200/..-10.0-H-GREEN

1- to n-poles



Technical Data

Wire Size		Insulating Material	
Solid min	0.2 mm ²	Material	PA 6.6
Solid max	4.0 mm ²	Flammability Class	UL 94 V-0
Stranded (flexible) min		Temperatures	
Stranded (flexible) max	0.2 mm ²	Operating Temperature	-30 °C - 105 °C
Stranded with Ferrule min	0.25 mm ²	Wave Soldering Process	
Stranded with Ferrule max	2.5 mm ²	Soldering Temperature, recommended	265 °C
Dimensions		Peak Soldering Time, recommended	3-4 s
Stripped Length	9.0 mm	Reflow Process	
PCB Hole Diameter	1.3 mm	Soldering Temperature, recommended	-
Materials		Peak Soldering Time, recommended	-
Screw	Steel		
Solder Tag	Copper Alloy		
Clamp Cage	Steel		
Excenter	Steel		

Colours

- GREEN, RAL 6018
- BLACK, RAL 9011
- LIGHT GREEN, similar RAL 6018

Colours according to RAL, there may be variations on colour due to production conditions. Special colours on request.

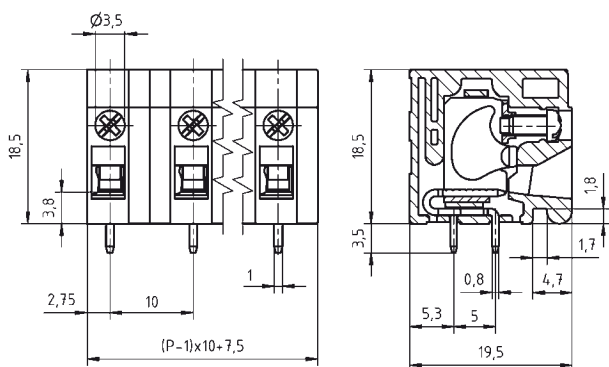
Order Data (Spacing 10.0 mm)

Poles	Width (mm)	Article Designation	Article Number	PU
2	17.50	AK2200/2-10.0-H-GREEN	52200020091D	50
3	27.50	AK2200/3-10.0-H-GREEN	52200030091D	50
4	37.50	AK2200/4-10.0-H-GREEN	52200040091D	50
5	47.50	AK2200/5-10.0-H-GREEN	52200050091D	50
6	57.50	AK2200/6-10.0-H-GREEN	52200060091D	50
7	67.50	AK2200/7-10.0-H-GREEN	52200070091D	50
8	77.50	AK2200/8-10.0-H-GREEN	52200080091D	50
9	87.50	AK2200/9-10.0-H-GREEN	52200090091D	50
10	97.50	AK2200/10-10.0-H-GREEN	52200100091D	50
11	107.50	AK2200/11-10.0-H-GREEN	52200110091D	50
12	117.50	AK2200/12-10.0-H-GREEN	52200120091D	50

Accessories

Figure	Designation	Article Number
	Spacer SPC-AK2200-GREEN	52200000002

See pages 214/215 for details and general accessories, and see pages 8/9 concerning services.



Ratings



Usegroup	B	C	D			
Rated Voltage	600 V	-	600 V	1000 V		
Rated Current	20 A	-	5 A	24 A		
Rated Wire Size					min	max
	solid	AWG 30-12	-	AWG 30-12	0.5 mm ²	2.5 mm ²
	stranded	AWG 30-12	-	AWG 30-12	0.5 mm ²	2.5 mm ²
Torque	0.50 - 0.60 Nm		0.50 - 0.60 Nm		0.50 Nm	
Screw Size	M2.5		M2.5		M2.5	
Test Voltage	2.2 kV		2.2 kV		3.5 kV	

AK4191/..KD-2.5-PEBBLE GREY



1- to n-poles

Technical Data

Wire Size		Insulating Material	
Solid min	0.14 mm ²	Material	PA 6.6
Solid max	0.75 mm ²	Flammability Class	UL 94 V-0
Stranded (flexible) min		Temperatures	
Stranded (flexible) min	0.14 mm ²	Operating Temperature	-30 °C - 105 °C
Stranded (flexible) max	0.75 mm ²	Wave Soldering Process	
Stranded with Ferrule min	0.14 mm ²	Soldering Temperature, recommended	265 °C
Stranded with Ferrule max	0.34 mm ²	Peak Soldering Time, recommended	3-4 s
Dimensions		Reflow Process	
Stripped Length	9.0 mm	Soldering Temperature, recommended	-
PCB Hole Diameter	1.2 mm	Peak Soldering Time, recommended	-
Materials			
Contact Pin	Bronze		

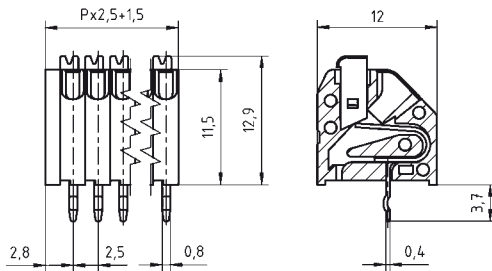
Colours

	PEBBLE GREY, RAL 7032		ORANGE, RAL 2011
	BLUE, RAL 5015		LIGHT GREEN, similar RAL 6018



Colours according to RAL, there may be variations on colour due to production conditions. Special colours on request.

Order Data (Spacing 2.5 mm)

Poles	Width (mm)	Article Designation	Article Number	PU
2	6.50	AK4191/2KD-2.5-PEBBLE GREY	54191020001F	200
3	9.00	AK4191/3KD-2.5-PEBBLE GREY	54191030001F	200
4	11.50	AK4191/4KD-2.5-PEBBLE GREY	54191040001F	200
5	14.00	AK4191/5KD-2.5-PEBBLE GREY	54191050001E	100
6	16.50	AK4191/6KD-2.5-PEBBLE GREY	54191060001E	100
7	19.00	AK4191/7KD-2.5-PEBBLE GREY	54191070001E	100
8	21.50	AK4191/8KD-2.5-PEBBLE GREY	54191080001D	50
9	24.00	AK4191/9KD-2.5-PEBBLE GREY	54191090001D	50
10	26.50	AK4191/10KD-2.5-PEBBLE GREY	54191100001D	50
11	29.00	AK4191/11KD-2.5-PEBBLE GREY	54191110001D	50
12	31.50	AK4191/12KD-2.5-PEBBLE GREY	54191120001D	50



Ratings

Usegroup						
	B	C	D			
Rated Voltage	150 V	-	150 V	130 V		
Rated Current	2 A	-	2 A	2 A		
Rated Wire Size	min		max			
	solid	AWG 26-20	-	AWG 26-20	0.2 mm ²	0.75 mm ²
	stranded	AWG 26-20	-	AWG 26-20	0.2 mm ²	0.75 mm ²
Test Voltage	1.3 kV	-	1.3 kV	1.25 kV		

AK4191/..KDVP-2.5-PEBBLE GREY



1- to n-poles

Technical Data

Wire Size		Insulating Material	
Solid min	0.14 mm ²	Material	PA 6.6
Solid max	0.75 mm ²	Flammability Class	UL 94 V-0
Stranded (flexible) min		Temperatures	
Stranded (flexible) max	0.14 mm ²	Operating Temperature	-30 °C - 105 °C
Stranded with Ferrule min		Wave Soldering Process	
Stranded with Ferrule max	0.14 mm ²	Soldering Temperature, recommended	265 °C
Stranded with Ferrule max		Peak Soldering Time, recommended	3-4 s
Dimensions		Reflow Process	
Stripped Length	9.0 mm	Soldering Temperature, recommended	-
PCB Hole Diameter	1.2 mm	Peak Soldering Time, recommended	-
Materials			
Contact Pin	Bronze		

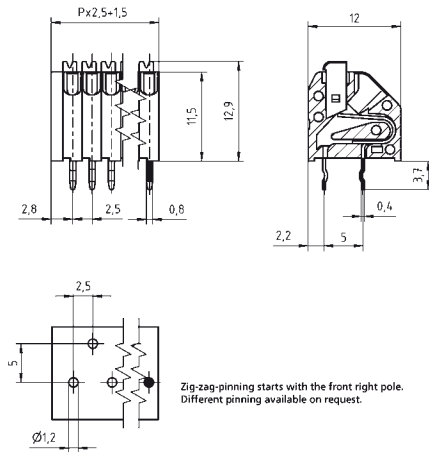
Colours

	PEBBLE GREY, RAL 7032		ORANGE, RAL 2011
	BLUE, RAL 5015		LIGHT GREEN, similar RAL 6018



Colours according to RAL, there may be variations on colour due to production conditions. Special colours on request.

Order Data (Spacing 2.5 mm)

Poles	Width (mm)	Article Designation	Article Number	PU
2	6.50	AK4191/2KDVP-2.5-PEBBLE GREY	54191020051F	200
3	9.00	AK4191/3KDVP-2.5-PEBBLE GREY	54191030051F	200
4	11.50	AK4191/4KDVP-2.5-PEBBLE GREY	54191040051F	200
5	14.00	AK4191/5KDVP-2.5-PEBBLE GREY	54191050051E	100
6	16.50	AK4191/6KDVP-2.5-PEBBLE GREY	54191060051E	100
7	19.00	AK4191/7KDVP-2.5-PEBBLE GREY	54191070051E	100
8	21.50	AK4191/8KDVP-2.5-PEBBLE GREY	54191080051D	50
9	24.00	AK4191/9KDVP-2.5-PEBBLE GREY	54191090051D	50
10	26.50	AK4191/10KDVP-2.5-PEBBLE GREY	54191100051D	50
11	29.00	AK4191/11KDVP-2.5-PEBBLE GREY	54191110051D	50
12	31.50	AK4191/12KDVP-2.5-PEBBLE GREY	54191120051D	50



Ratings

Usegroup	c 					
	B	C	D			
Rated Voltage	300 V	-	300 V	250 V		
Rated Current	2 A	-	2 A	2 A		
Rated Wire Size			min		max	
	solid	AWG 26-20	-	AWG 26-20	0.2 mm ²	0.75 mm ²
	stranded	AWG 26-20	-	AWG 26-20	0.2 mm ²	0.75 mm ²
Test Voltage	1.6 kV	-	1.6 kV	2.0 kV		

AKZ4791/..KD-2.54-V-BASALT GREY

1- to n-poles



Technical Data

Wire Size		Insulating Material	
Solid min	0.14 mm ²	Material	PBT
Solid max	0.75 mm ²	Flammability Class	UL 94 V-0
Stranded (flexible) min	0.14 mm ²	Temperatures	
Stranded (flexible) max	0.75 mm ²	Operating Temperature	-30 °C - 105 °C
Stranded with Ferrule min	0.14 mm ²	Wave Soldering Process	
Stranded with Ferrule max	0.14 mm ²	Soldering Temperature, recommended	265 °C
Dimensions		Peak Soldering Time, recommended	3-4 s
Stripped Length	10.0 mm	Reflow Process	
PCB Hole Diameter	1.2 mm	Soldering Temperature, recommended	-
Materials		Peak Soldering Time, recommended	-
Solder Tag	Brass		
Clamp Spring	Stainless Steel		

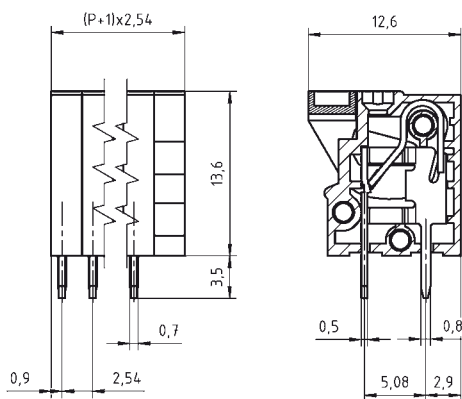
Colours

- BASALT GREY, RAL 7012
- GREEN, RAL 6018
- LIGHT GREEN, similar RAL 6018

Colours according to RAL, there may be variations on colour due to production conditions. Special colours on request.

Order Data (Spacing 2.54 mm)

Poles	Width (mm)	Article Designation	Article Number	PU
2	7.62	AKZ4791/2KD-2.54-V-BASALT GREY	54791020421F	200
3	10.16	AKZ4791/3KD-2.54-V-BASALT GREY	54791030421F	200
4	12.70	AKZ4791/4KD-2.54-V-BASALT GREY	54791040421F	200
5	15.24	AKZ4791/5KD-2.54-V-BASALT GREY	54791050421E	100
6	17.78	AKZ4791/6KD-2.54-V-BASALT GREY	54791060421E	100
7	20.32	AKZ4791/7KD-2.54-V-BASALT GREY	54791070421E	100
8	22.86	AKZ4791/8KD-2.54-V-BASALT GREY	54791080421D	50
9	25.40	AKZ4791/9KD-2.54-V-BASALT GREY	54791090421D	50
10	27.94	AKZ4791/10KD-2.54-V-BASALT GREY	54791100421D	50
11	30.48	AKZ4791/11KD-2.54-V-BASALT GREY	54791110421D	50
12	33.02	AKZ4791/12KD-2.54-V-BASALT GREY	54791120421D	50



Ratings

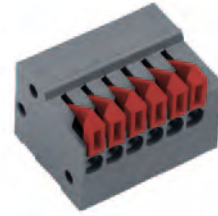
Usegroup	UL			VDE	
	B	C	D	130 V	
Rated Voltage	150 V	-	-	130 V	
Rated Current	6 A	-	-	9 A	
Rated Wire Size	min		max		
	solid	AWG 26-20	-	0.2 mm ²	0.75 mm ²
	stranded	AWG 26-20	-	0.2 mm ²	0.75 mm ²
Test Voltage	1.3 kV		-	1.25 kV	

* Approval Pending

Push-In | Spacing 2.54 mm

AKZ4791/..KD-2.54-H-BASALT GREY

1- to n-poles



Technical Data

Wire Size		Insulating Material	
Solid min	0.14 mm ²	Material	PBT
Solid max	0.75 mm ²	Flammability Class	UL 94 V-0
Stranded (flexible) min		Temperatures	
Stranded (flexible) min	0.14 mm ²	Operating Temperature	-30 °C - 105 °C
Stranded (flexible) max	0.75 mm ²	Wave Soldering Process	
Stranded with Ferrule min	0.14 mm ²	Soldering Temperature, recommended	265 °C
Stranded with Ferrule max	0.14 mm ²	Peak Soldering Time, recommended	3-4 s
Dimensions		Reflow Process	
Stripped Length	10.0 mm	Soldering Temperature, recommended	-
PCB Hole Diameter	1.2 mm	Peak Soldering Time, recommended	-
Materials			
Solder Tag	Brass		
Clamp Spring	Stainless Steel		

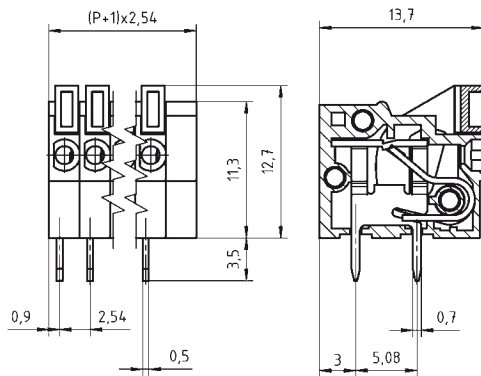
Colours

- BASALT GREY, RAL 7012
- GREEN, RAL 6018
- LIGHT GREEN, similar RAL 6018

Colours according to RAL, there may be variations on colour due to production conditions. Special colours on request.

Order Data (Spacing 2.54 mm)

Poles	Width (mm)	Article Designation	Article Number	PU
2	7.62	AKZ4791/2KD-2.54-H-BASALT GREY	54791020422F	200
3	10.16	AKZ4791/3KD-2.54-H-BASALT GREY	54791030422F	200
4	12.70	AKZ4791/4KD-2.54-H-BASALT GREY	54791040422F	200
5	15.24	AKZ4791/5KD-2.54-H-BASALT GREY	54791050422E	100
6	17.78	AKZ4791/6KD-2.54-H-BASALT GREY	54791060422E	100
7	20.32	AKZ4791/7KD-2.54-H-BASALT GREY	54791070422E	100
8	22.86	AKZ4791/8KD-2.54-H-BASALT GREY	54791080422D	50
9	25.40	AKZ4791/9KD-2.54-H-BASALT GREY	54791090422D	50
10	27.94	AKZ4791/10KD-2.54-H-BASALT GREY	54791100422D	50
11	30.48	AKZ4791/11KD-2.54-H-BASALT GREY	54791110422D	50
12	33.02	AKZ4791/12KD-2.54-H-BASALT GREY	54791120422D	50



Ratings

Usegroup	UL 486A			VDE 0594	
	B	C	D	130 V	
Rated Voltage	150 V	-	-	130 V	
Rated Current	6 A	-	-	9 A	
Rated Wire Size	min		max		
	solid	AWG 26-20	-	0.2 mm ²	0.75 mm ²
	stranded	AWG 26-20	-	0.2 mm ²	0.75 mm ²
Test Voltage	1.3 kV	-	-	1.25 kV	

* Approval Pending

AK4291/..KD-3.5-PEBBLE GREY



1- to n-poles

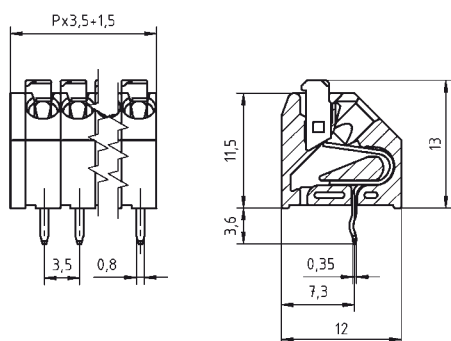
Technical Data

Wire Size		Insulating Material	
Solid min	0.08 mm ²	Material	PA 6.6
Solid max	1.5 mm ²	Flammability Class	UL 94 V-0
Stranded (flexible) min	0.14 mm ²	Temperatures	
Stranded (flexible) max	1.0 mm ²	Operating Temperature	-30 °C - 105 °C
Stranded with Ferrule min	0.14 mm ²	Wave Soldering Process	
Stranded with Ferrule max	0.5 mm ²	Soldering Temperature, recommended	265 °C
Dimensions		Peak Soldering Time, recommended	3-4 s
Stripped Length	9.0 mm	Reflow Process	
PCB Hole Diameter	1.0 mm	Soldering Temperature, recommended	-
Materials		Peak Soldering Time, recommended	-
Contact Tag	Copper Alloy		

Colours

	PEBBLE GREY, RAL 7032		ORANGE, RAL 2011
	BLUE, RAL 5015		LIGHT GREEN, similar RAL 6018





Colours according to RAL, there may be variations on colour due to production conditions. Special colours on request.



Order Data (Spacing 3.5 mm)



Poles	Width (mm)	Article Designation	Article Number	PU
2	8.50	AK4291/2KD-3.5-PEBBLE GREY	54291020001F	200
3	12.00	AK4291/3KD-3.5-PEBBLE GREY	54291030001F	200
4	15.50	AK4291/4KD-3.5-PEBBLE GREY	54291040001F	200
5	19.00	AK4291/5KD-3.5-PEBBLE GREY	54291050001E	100
6	22.50	AK4291/6KD-3.5-PEBBLE GREY	54291060001E	100
7	26.00	AK4291/7KD-3.5-PEBBLE GREY	54291070001E	100
8	29.50	AK4291/8KD-3.5-PEBBLE GREY	54291080001D	50
9	33.00	AK4291/9KD-3.5-PEBBLE GREY	54291090001D	50
10	36.50	AK4291/10KD-3.5-PEBBLE GREY	54291100001D	50
11	40.00	AK4291/11KD-3.5-PEBBLE GREY	54291110001D	50
12	43.50	AK4291/12KD-3.5-PEBBLE GREY	54291120001D	50

Accessories

Figure	Designation	Article Number
	Bridge, 2-pole, insulated, BR/2-7.0/7.62-L7.5-LIGHT GREY	50000000018
	Bridge, 2-pole, BR/2-3.5/3.81-L7.5	50000000015
	Bridge, 3-pole, BR/3-3.5/3.81-L7.5	50000000016
	Spacer SPC-AK4291-PEBBLE GREY	54291000000

See pages 214/215 for details and general accessories, and see pages 8/9 concerning services.

Ratings

Usegroup					
	B	C	D		
Rated Voltage	300 V	-	-	130 V	
Rated Current	6 A	-	-	3 A	
Rated Wire Size				min	max
	solid	AWG 22-16	-	0.2 mm ²	0.75 mm ²
	stranded	-	-	-	-
Test Voltage	1.6 kV	-	-	2.0 kV	

AK4291/..KDVP-3.5-PEBBLE GREY

1- to n-poles



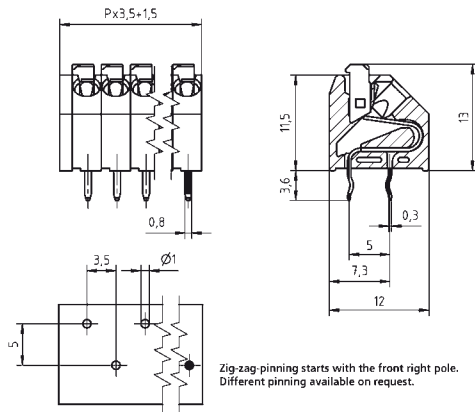
Technical Data

Wire Size		Insulating Material	
Solid min	0.08 mm ²	Material	PA 6.6
Solid max	1.5 mm ²	Flammability Class	UL 94 V-0
Stranded (flexible) min		Temperatures	
Stranded (flexible) max	1.0 mm ²	Operating Temperature	-30 °C - 105 °C
Stranded with Ferrule min	0.14 mm ²	Wave Soldering Process	
Stranded with Ferrule max	0.5 mm ²	Soldering Temperature, recommended	265 °C
Dimensions		Peak Soldering Time, recommended	3-4 s
Stripped Length	9.0 mm	Reflow Process	
PCB Hole Diameter	1.0 mm	Soldering Temperature, recommended	-
Materials		Peak Soldering Time, recommended	-
Contact Tag	Copper Alloy		

Colours

	PEBBLE GREY, RAL 7032		ORANGE, RAL 2011
	BLUE, RAL 5015		LIGHT GREEN, similar RAL 6018





Colours according to RAL, there may be variations on colour due to production conditions. Special colours on request.



Order Data (Spacing 3.5 mm)



Poles	Width (mm)	Article Designation	Article Number	PU
2	8.50	AK4291/2KDVP-3.5-PEBBLE GREY	54291020051F	200
3	12.00	AK4291/3KDVP-3.5-PEBBLE GREY	54291030051F	200
4	15.50	AK4291/4KDVP-3.5-PEBBLE GREY	54291040051F	200
5	19.00	AK4291/5KDVP-3.5-PEBBLE GREY	54291050051E	100
6	22.50	AK4291/6KDVP-3.5-PEBBLE GREY	54291060051E	100
7	26.00	AK4291/7KDVP-3.5-PEBBLE GREY	54291070051E	100
8	29.50	AK4291/8KDVP-3.5-PEBBLE GREY	54291080051D	50
9	33.00	AK4291/9KDVP-3.5-PEBBLE GREY	54291090051D	50
10	36.50	AK4291/10KDVP-3.5-PEBBLE GREY	54291100051D	50
11	40.00	AK4291/11KDVP-3.5-PEBBLE GREY	54291110051D	50
12	43.50	AK4291/12KDVP-3.5-PEBBLE GREY	54291120051D	50

Accessories

Figure	Designation	Article Number
	Bridge, 2-pole, insulated, BRV2-7.0/7.62-L7.5-LIGHT GREY	50000000018
	Bridge, 2-pole, BR2-3.5/3.81-L7.5	50000000015
	Bridge, 3-pole, BR3-3.5/3.81-L7.5	50000000016
	Spacer SPC-AK4291-PEBBLE GREY	54291000000

See pages 214/215 for details and general accessories, and see pages 8/9 concerning services.

Ratings

Usegroup	c 			
	B	C	D	
Rated Voltage	300 V	-	300 V	250 V
Rated Current	6 A	-	6 A	3 A
Rated Wire Size				min max
solid	AWG 22-16	-	AWG 22-16	0.2 mm ² 0.75 mm ²
stranded	-	-	-	
Test Voltage	1.6 kV	-	1.6 kV	2.0 kV

AKZ4701/..KD-3.81-V-BASALT GREY

1- to n-poles



Technical Data

Wire Size		Insulating Material	
Solid min	0.14 mm ²	Material	PBT
Solid max	1.5 mm ²	Flammability Class	UL 94 V-0
Stranded (flexible) min	0.14 mm ²	Temperatures	
Stranded (flexible) max	1.5 mm ²	Operating Temperature	-30 °C - 105 °C
Stranded with Ferrule min	0.14 mm ²	Wave Soldering Process	
Stranded with Ferrule max	0.34 mm ²	Soldering Temperature, recommended	265 °C
Dimensions		Peak Soldering Time, recommended	3-4 s
Stripped Length	10.0 mm	Reflow Process	
PCB Hole Diameter	1.4 mm	Soldering Temperature, recommended	-
Materials		Peak Soldering Time, recommended	-
Solder Tag	Brass		
Clamp Spring	Stainless Steel		

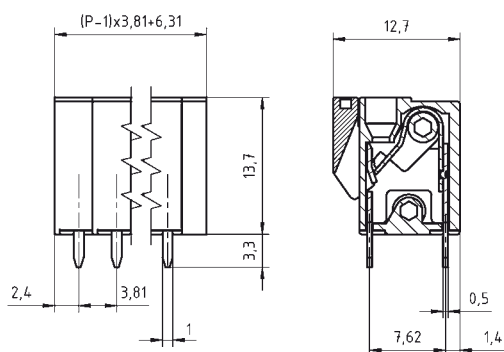
Colours

- BASALT GREY, RAL 7012
- GREEN, RAL 6018
- LIGHT GREEN, similar RAL 6018

Colours according to RAL, there may be variations on colour due to production conditions. Special colours on request.

Order Data (Spacing 3.81 mm)

Poles	Width (mm)	Article Designation	Article Number	PU
2	10.12	AKZ4701/2KD-3.81-V-BASALT GREY	54701020421F	200
3	13.93	AKZ4701/3KD-3.81-V-BASALT GREY	54701030421F	200
4	17.74	AKZ4701/4KD-3.81-V-BASALT GREY	54701040421F	200
5	21.55	AKZ4701/5KD-3.81-V-BASALT GREY	54701050421E	100
6	25.36	AKZ4701/6KD-3.81-V-BASALT GREY	54701060421E	100
7	29.17	AKZ4701/7KD-3.81-V-BASALT GREY	54701070421E	100
8	32.98	AKZ4701/8KD-3.81-V-BASALT GREY	54701080421D	50
9	36.79	AKZ4701/9KD-3.81-V-BASALT GREY	54701090421D	50
10	40.60	AKZ4701/10KD-3.81-V-BASALT GREY	54701100421D	50
11	44.41	AKZ4701/11KD-3.81-V-BASALT GREY	54701110421D	50
12	48.22	AKZ4701/12KD-3.81-V-BASALT GREY	54701120421D	50



Ratings

Usegroup	UL 486			VDE	
	B	C	D		
Rated Voltage	300 V	-	300 V	130 V	
Rated Current	6 A	-	6 A	12 A	
Rated Wire Size			min		max
	solid	AWG 26-16	-	AWG 26-16	0.2 mm ² / 1.5 mm ²
	stranded	AWG 26-16	-	AWG 26-16	0.2 mm ² / 1.5 mm ²
Test Voltage	1.6 kV		-	1.6 kV / 1.25 kV	

* Approval Pending

AKZ4701/..KD-3.81-H-BASALT GREY



1- to n-poles

Technical Data

Wire Size		Insulating Material	
Solid min	0.14 mm ²	Material	PBT
Solid max	1.5 mm ²	Flammability Class	UL 94 V-0
Stranded (flexible) min		Temperatures	
Stranded (flexible) min	0.14 mm ²	Operating Temperature	-30 °C - 105 °C
Stranded with Ferrule min	0.14 mm ²	Wave Soldering Process	
Stranded with Ferrule max	0.34 mm ²	Soldering Temperature, recommended	265 °C
Dimensions		Peak Soldering Time, recommended	3-4 s
Stripped Length	10.0 mm	Reflow Process	
PCB Hole Diameter	1.4 mm	Soldering Temperature, recommended	-
Materials		Peak Soldering Time, recommended	-
Solder Tag	Brass		
Clamp Spring	Stainless Steel		

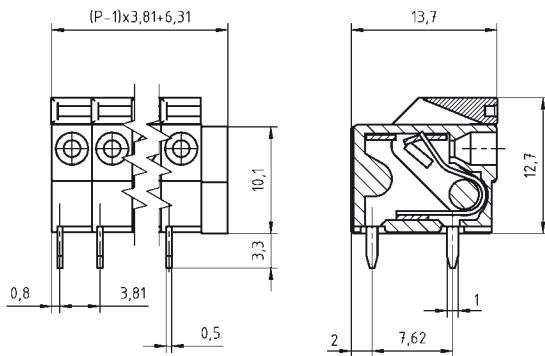
Colours

- BASALT GREY, RAL 7012
- GREEN, RAL 6018
- LIGHT GREEN, similar RAL 6018

Colours according to RAL, there may be variations on colour due to production conditions. Special colours on request.

Order Data (Spacing 3.81 mm)

Poles	Width (mm)	Article Designation	Article Number	PU
2	10.12	AKZ4701/2KD-3.81-H-BASALT GREY	54701020422F	200
3	13.93	AKZ4701/3KD-3.81-H-BASALT GREY	54701030422F	200
4	17.74	AKZ4701/4KD-3.81-H-BASALT GREY	54701040422F	200
5	21.55	AKZ4701/5KD-3.81-H-BASALT GREY	54701050422E	100
6	25.36	AKZ4701/6KD-3.81-H-BASALT GREY	54701060422E	100
7	29.17	AKZ4701/7KD-3.81-H-BASALT GREY	54701070422E	100
8	32.98	AKZ4701/8KD-3.81-H-BASALT GREY	54701080422D	50
9	36.79	AKZ4701/9KD-3.81-H-BASALT GREY	54701090422D	50
10	40.60	AKZ4701/10KD-3.81-H-BASALT GREY	54701100422D	50
11	44.41	AKZ4701/11KD-3.81-H-BASALT GREY	54701110422D	50
12	48.22	AKZ4701/12KD-3.81-H-BASALT GREY	54701120422D	50



Ratings



Usegroup	B		C		D	
	Rated Voltage	300 V	-	-	300 V	130 V
Rated Current	6 A	-	-	6 A	12 A	
Rated Wire Size	solid		-		AWG 26-16	
	stranded		-		AWG 26-16	
Test Voltage	1.6 kV	-	-	1.6 kV	1.25 kV	

* Approval Pending

AK4100/..-5.0-PEBBLE GREY

1- to n-poles



Technical Data

Wire Size		Insulating Material	
Solid min	0.08 mm ²	Material	PA 6.6
Solid max	2.5 mm ²	Flammability Class	UL 94 V-0
Stranded (flexible) min	0.08 mm ²	Temperatures	
Stranded (flexible) max	2.5 mm ²	Operating Temperature	-30 °C - 105 °C
Stranded with Ferrule min	0.14 mm ²	Wave Soldering Process	
Stranded with Ferrule max	1.0 mm ²	Soldering Temperature, recommended	265 °C
Dimensions		Peak Soldering Time, recommended	3-4 s
Stripped Length	9.0 mm	Reflow Process	
PCB Hole Diameter	1.0 mm	Soldering Temperature, recommended	-
Materials		Peak Soldering Time, recommended	-
Solder Tag	Copper Alloy		
Clamp Spring	Stainless Steel		

Colours



PEBBLE GREY, RAL 7032 BLUE, RAL 5015

Colours according to RAL, there may be variations on colour due to production conditions. Special colours on request.

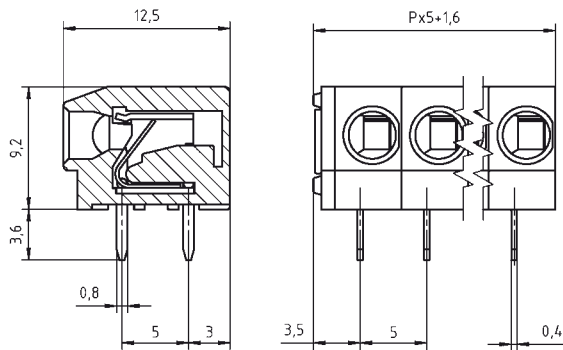
Order Data (Spacing 5.0 mm)

Poles	Width (mm)	Article Designation	Article Number	PU
2	11.60	AK4100/2-5.0-PEBBLE GREY	54100020001F	200
3	16.60	AK4100/3-5.0-PEBBLE GREY	54100030001F	200
4	21.60	AK4100/4-5.0-PEBBLE GREY	54100040001E	100
5	26.60	AK4100/5-5.0-PEBBLE GREY	54100050001E	100
6	31.60	AK4100/6-5.0-PEBBLE GREY	54100060001D	50
7	36.60	AK4100/7-5.0-PEBBLE GREY	54100070001D	50
8	41.60	AK4100/8-5.0-PEBBLE GREY	54100080001D	50
9	46.60	AK4100/9-5.0-PEBBLE GREY	54100090001D	50
10	51.60	AK4100/10-5.0-PEBBLE GREY	54100100001D	50
11	56.60	AK4100/11-5.0-PEBBLE GREY	54100110001D	50
12	61.60	AK4100/12-5.0-PEBBLE GREY	54100120001D	50



Accessories

Figure	Designation	Article Number
	Bridge, 2-pole, insulated, BRI/2-5.0/5.08-LIGHT GREY	50000000006
	Bridge, 3-pole, insulated, BRI/3-5.0/5.08-LIGHT GREY	50000000007

See pages 214/215 for details and general accessories, and see pages 8/9 concerning services.



Ratings

Usegroup	C 		D 	
	B	C	D	
Rated Voltage	300 V	-	300 V	250 V
Rated Current	10 A	-	10 A	17.5 A
Rated Wire Size				min max
solid	AWG 20-14	-	AWG 20-14	0.5 mm ² 2.5 mm ²
stranded	-	-	-	
Test Voltage	1.6 kV	-	1.6 kV	2.0 kV

AK4101/..KD-5.0-PEBBLE GREY

1- to n-poles



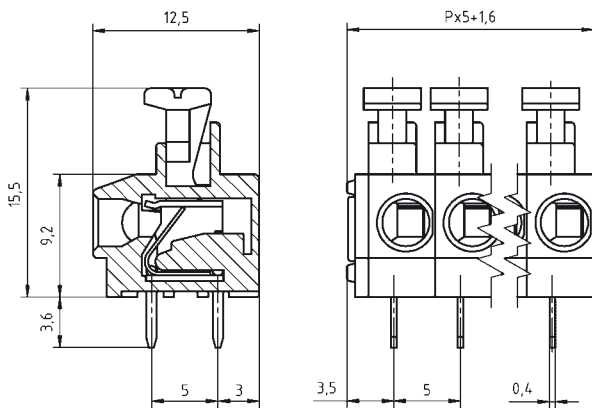
Technical Data

Wire Size		Insulating Material	
Solid min	0.08 mm ²	Material	PA 6.6
Solid max	2.5 mm ²	Flammability Class	UL 94 V-0
Stranded (flexible) min		Temperatures	
0.5 mm ²		Operating Temperature	-30 °C - 105 °C
Stranded (flexible) max		Wave Soldering Process	
1.5 mm ²		Soldering Temperature, recommended	265 °C
Stranded with Ferrule min		Peak Soldering Time, recommended	3-4 s
0.14 mm ²		Reflow Process	
Stranded with Ferrule max		Soldering Temperature, recommended	-
1.0 mm ²		Peak Soldering Time, recommended	-
Dimensions		Materials	
Stripped Length	9.0 mm	Solder Tag	Copper Alloy
PCB Hole Diameter	1.0 mm	Clamp Spring	Stainless Steel

Colours

PEBBLE GREY, RAL 7032 BLUE, RAL 5015

Colours according to RAL, there may be variations on colour due to production conditions. Special colours on request.



Order Data (Spacing 5.0 mm)

Poles	Width (mm)	Article Designation	Article Number	PU
2	11.60	AK4101/2KD-5.0-PEBBLE GREY	54101020001F	200
3	16.60	AK4101/3KD-5.0-PEBBLE GREY	54101030001F	200
4	21.60	AK4101/4KD-5.0-PEBBLE GREY	54101040001E	100
5	26.60	AK4101/5KD-5.0-PEBBLE GREY	54101050001E	100
6	31.60	AK4101/6KD-5.0-PEBBLE GREY	54101060001D	50
7	36.60	AK4101/7KD-5.0-PEBBLE GREY	54101070001D	50
8	41.60	AK4101/8KD-5.0-PEBBLE GREY	54101080001D	50
9	46.60	AK4101/9KD-5.0-PEBBLE GREY	54101090001D	50
10	51.60	AK4101/10KD-5.0-PEBBLE GREY	54101100001D	50
11	56.60	AK4101/11KD-5.0-PEBBLE GREY	54101110001D	50
12	61.60	AK4101/12KD-5.0-PEBBLE GREY	54101120001D	50

Accessories

Figure	Designation	Article Number
	Bridge, 2-pole, insulated, BR/2-5.0/5.08-LIGHT GREY	50000000006
	Bridge, 3-pole, insulated, BR/3-5.0/5.08-LIGHT GREY	50000000007

See pages 214/215 for details and general accessories, and see pages 8/9 concerning services.

Ratings

Usegroup	cULus		VDE	
	B	C	D	
Rated Voltage	300 V	-	300 V	250 V
Rated Current	10 A	-	10 A	17.5 A
Rated Wire Size				min max
solid	AWG 20-14	-	AWG 20-14	0.5 mm ² 2.5 mm ²
stranded	-	-	-	
Test Voltage	1.6 kV	-	1.6 kV	2.0 kV

AKZ4301/..KD-5.08-BASALT GREY



Technical Data

Wire Size		Insulating Material	
Solid min	0.08 mm ²	Material	PA 6.6
Solid max	1.5 mm ²	Flammability Class	UL 94 V-0
Stranded (flexible) min	0.20 mm ²	Temperatures	
Stranded (flexible) max	1.5 mm ²	Operating Temperature	
Stranded with Ferrule min	0.14 mm ²	Wave Soldering Process -30 °C - 105 °C	
Stranded with Ferrule max	1.0 mm ²	Soldering Temperature, recommended	265 °C
Dimensions		Peak Soldering Time, recommended	3-4 s
Stripped Length	10.0 mm	Reflow Process	
PCB Hole Diameter	1.4 mm	Soldering Temperature, recommended	-
Materials		Peak Soldering Time, recommended	-
Solder Tag	Brass		
Clamp Spring	Stainless Steel		

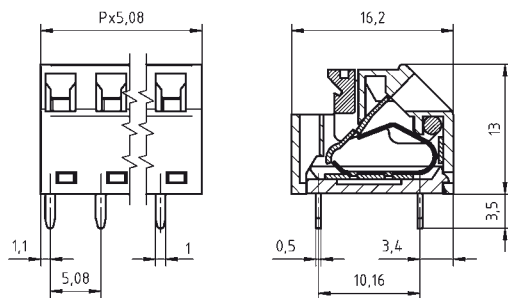
Colours

- BASALT GREY, RAL 7012
- GREEN, RAL 6018
- LIGHT GREEN, similar RAL 6018

Colours according to RAL, there may be variations on colour due to production conditions. Special colours on request.

Order Data (Spacing 5.08 mm)

Poles	Width (mm)	Article Designation	Article Number	PU
2	10.16	AKZ4301/2KD-5.08-BASALT GREY	54301020421D	50
3	15.24	AKZ4301/3KD-5.08-BASALT GREY	54301030421D	50
4	20.32	AKZ4301/4KD-5.08-BASALT GREY	54301040421D	50
5	25.40	AKZ4301/5KD-5.08-BASALT GREY	54301050421D	50
6	30.48	AKZ4301/6KD-5.08-BASALT GREY	54301060421D	50
7	35.56	AKZ4301/7KD-5.08-BASALT GREY	54301070421D	50
8	40.64	AKZ4301/8KD-5.08-BASALT GREY	54301080421D	50



Ratings



Usegroup	B		C	D	
	Rated Voltage	300 V		-	300 V
Rated Current	10 A		-	10 A	
Rated Wire Size	min			max	
	solid	AWG 22-16	-	AWG 22-16	0.2 mm ² - 2.5 mm ²
	stranded	AWG 22-16	-	AWG 22-16	0.2 mm ² - 1.5 mm ²
Test Voltage	1.6 kV		-	1.6 kV	

* Approval Pending

AKZ4801/..KD-6.35-V-BLACK-HT



Technical Data

Wire Size		Insulating Material	
Solid min	0.2 mm ²	Material	PPA
Solid max	2.5 mm ²	Flammability Class	UL 94 V-0
Stranded (flexible) min	0.2 mm ²	Temperatures	
Stranded (flexible) max	2.5 mm ²	Operating Temperature	-30 °C - 105 °C
Stranded with Ferrule min	0.25 mm ²	Wave Soldering Process	
Stranded with Ferrule max	2.5 mm ²	Soldering Temperature, recommended	265 °C
Dimensions		Peak Soldering Time, recommended	3-4 s
Stripped Length	9.0 mm	Reflow Process	
PCB Hole Diameter	1.3 mm	Soldering Temperature, recommended	217 °C - 245 °C
Materials		Peak Soldering Time, recommended	60 s
Clamp	Zinc Die-Cast		
Solder Tag	Brass		
Clamp Spring	Stainless Steel		

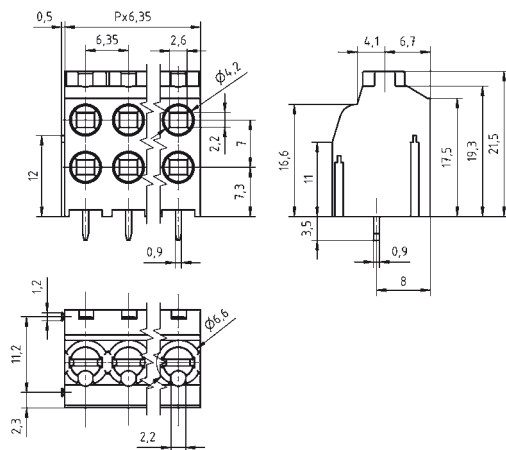
Farben

■ BLACK, RAL 9011

Colours according to RAL, there may be variations on colour due to production conditions.

Order Data (Spacing 6.35 mm)

Poles	Width (mm)	Article Designation	Article Number	PU
2	13.20	AKZ4801/2KD-6.35-V-BLACK-HT	54801020301E	100
3	19.55	AKZ4801/3KD-6.35-V-BLACK-HT	54801030301E	100
4	25.90	AKZ4801/4KD-6.35-V-BLACK-HT	54801040301D	50
5	32.25	AKZ4801/5KD-6.35-V-BLACK-HT	54801050301D	50
6	38.60	AKZ4801/6KD-6.35-V-BLACK-HT	54801060301D	50
7	44.95	AKZ4801/7KD-6.35-V-BLACK-HT	54801070301D	50
8	51.30	AKZ4801/8KD-6.35-V-BLACK-HT	54801080301D	50
9	57.65	AKZ4801/9KD-6.35-V-BLACK-HT	54801090301D	50
10	64.00	AKZ4801/10KD-6.35-V-BLACK-HT	54801100301D	50
11	70.35	AKZ4801/11KD-6.35-V-BLACK-HT	54801110301D	50
12	76.70	AKZ4801/12KD-6.35-V-BLACK-HT	54801120301D	50



Ratings



Usegroup	B	C	D		
Rated Voltage	300 V	-	300 V	400 V	
Rated Current	12 A	-	10 A	12 A	
Rated Wire Size			min		max
solid	AWG 24-14	-	AWG 24-14	0.2 mm ²	2.5 mm ²
stranded	AWG 24-14	-	AWG 24-14	0.2 mm ²	2.5 mm ²
Test Voltage	1.6 kV	-	1.6 kV	2.5 kV	

AKZ4841/..KD-6.35-OL-BLACK-HT



Technical Data

Wire Size		Insulating Material	
Solid min	0.2 mm ²	Material	PPA
Solid max	2.5 mm ²	Flammability Class	UL 94 V-0
Stranded (flexible) min	0.2 mm ²	Temperatures	
Stranded (flexible) max	2.5 mm ²	Operating Temperature	-30 °C - 105 °C
Stranded with Ferrule min	0.25 mm ²	Wave Soldering Process	
Stranded with Ferrule max	2.5 mm ²	Soldering Temperature, recommended	265 °C
Dimensions		Peak Soldering Time, recommended	3-4 s
Stripped Length	9.0 mm	Reflow Process	
PCB Hole Diameter	1.3 mm	Soldering Temperature, recommended	217 °C - 245 °C
Materials		Peak Soldering Time, recommended	60 s
Clamp	Zinc Die-Cast		
Solder Tag	Brass		
Clamp Spring	Stainless Steel		

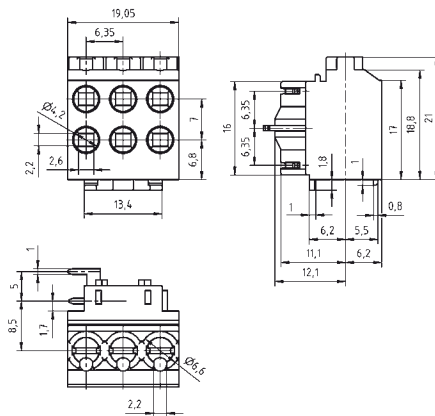
Colours

■ BLACK, RAL 9011

Colours according to RAL, there may be variations on colour due to production conditions.

Order Data (Spacing 6.35 mm)

Poles	Width (mm)	Article Designation	Article Number	PU
3	19.05	AKZ4841/3KD-6.35-OL-BLACK-HT	54841030361D	50



Ratings



Usegroup	B		C	D	
	Rated Voltage	300 V		-	300 V
Rated Current	12 A		-	10 A	
Rated Wire Size				min	max
	solid	AWG 24-14	-	AWG 24-14	0.2 mm ² 2.5 mm ²
	stranded	AWG 24-14	-	AWG 24-14	0.2 mm ² 2.5 mm ²
Test Voltage	1.6 kV		-	1.6 kV 2.5 kV	

Push-In | Spacing 6.35 mm

AKZ4841/..KD-6.35-OR-BLACK-HT



Technical Data

Wire Size		Insulating Material	
Solid min	0.2 mm ²	Material	PPA
Solid max	2.5 mm ²	Flammability Class	UL 94 V-0
Stranded (flexible) min	0.2 mm ²	Temperatures	
Stranded (flexible) max	2.5 mm ²	Operating Temperature	-30 °C - 105 °C
Stranded with Ferrule min	0.25 mm ²	Wave Soldering Process	
Stranded with Ferrule max	2.5 mm ²	Soldering Temperature, recommended	265 °C
Dimensions		Peak Soldering Time, recommended	3-4 s
Stripped Length	9.0 mm	Reflow Process	
PCB Hole Diameter	1.3 mm	Soldering Temperature, recommended	217 °C - 245 °C
Materials		Peak Soldering Time, recommended	60 s
Clamp	Zinc Die-Cast		
Solder Tag	Brass		
Clamp Spring	Stainless Steel		

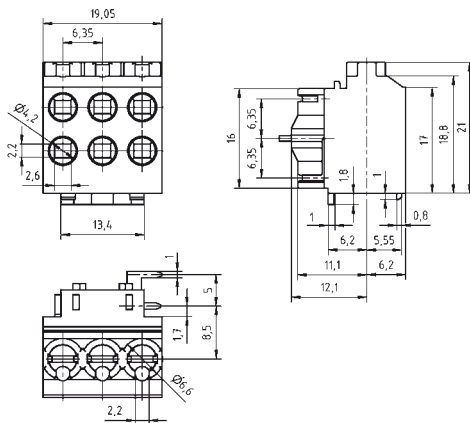
Colours

■ BLACK, RAL 9011

Colours according to RAL, there may be variations on colour due to production conditions.

Order Data (Spacing 6.35 mm)

Poles	Width (mm)	Article Designation	Article Number	PU
3	19.05	AKZ4841/3KD-6.35-OR-BLACK-HT	54841030371D	50



Ratings



Usegroup	B	C	D		
Rated Voltage	300 V	-	300 V	400 V	
Rated Current	12 A	-	10 A	12 A	
Rated Wire Size			min		max
solid	AWG 24-14	-	AWG 24-14	0.2 mm ²	2.5 mm ²
stranded	AWG 24-14	-	AWG 24-14	0.2 mm ²	2.5 mm ²
Test Voltage	1.6 kV	-	1.6 kV	2.5 kV	

Tension Spring | Spacing 2.5 mm/ 2.54 mm

AK3191/..-2.5-PEBBLE GREY AKZ3191/..-2.54-ORANGE

2- to n-poles



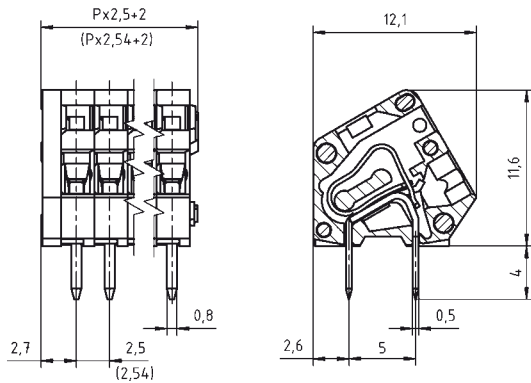
Technical Data

Wire Size		Insulating Material	
Solid min	0.08 mm ²	Material	PA 6.6
Solid max	1.0 mm ²	Flammability Class	UL 94 V-0
Stranded (flexible) min	0.14 mm ²	Temperatures	
Stranded (flexible) max	0.5 mm ²	Operating Temperature	-30 °C - 105 °C
Stranded with Ferrule min	0.14 mm ²	Wave Soldering Process	
Stranded with Ferrule max	0.14 mm ²	Soldering Temperature, recommended	265 °C
Dimensions		Peak Soldering Time, recommended	3-4 s
Stripped Length	5.0 mm	Reflow Process	
PCB Hole Diameter	1.1 mm	Soldering Temperature, recommended	-
Materials		Peak Soldering Time, recommended	-
Solder Tag	Copper Alloy		
Tension Spring	Stainless Steel		

Colours

PEBBLE GREY, RAL 7032 ORANGE, RAL 2011

Colours according to RAL, there may be variations on colour due to production conditions. Special colours on request.



Order Data (Spacing 2.5 mm)

Poles	Width (mm)	Article Designation	Article Number	PU
2	7.00	AK3191/2-2.5-PEBBLE GREY	53191020001F	200
3	9.50	AK3191/3-2.5-PEBBLE GREY	53191030001F	200
4	12.00	AK3191/4-2.5-PEBBLE GREY	53191040001F	200
5	14.50	AK3191/5-2.5-PEBBLE GREY	53191050001E	100
6	17.00	AK3191/6-2.5-PEBBLE GREY	53191060001E	100
7	19.50	AK3191/7-2.5-PEBBLE GREY	53191070001E	100
8	22.00	AK3191/8-2.5-PEBBLE GREY	53191080001D	50
9	24.50	AK3191/9-2.5-PEBBLE GREY	53191090001D	50
...
12	32.00	AK3191/12-2.5-PEBBLE GREY	53191120001D	50

Order Data (Spacing 2.54 mm)

Poles	Width (mm)	Article Designation	Article Number	PU
2	7.08	AKZ3191/2-2.54-ORANGE	53191021321F	200
3	9.62	AKZ3191/3-2.54-ORANGE	53191031321F	200
4	12.16	AKZ3191/4-2.54-ORANGE	53191041321F	200
5	14.70	AKZ3191/5-2.54-ORANGE	53191051321E	100
6	17.24	AKZ3191/6-2.54-ORANGE	53191061321E	100
7	19.78	AKZ3191/7-2.54-ORANGE	53191071321E	100
8	22.32	AKZ3191/8-2.54-ORANGE	53191081321D	50
9	24.86	AKZ3191/9-2.54-ORANGE	53191091321D	50
...
16	42.64	AKZ3191/16-2.54-ORANGE	53191161321D	50

Ratings



Usegroup	B	C	D	
Rated Voltage	150 V	-	-	130 V
Rated Current	4 A	-	-	9 A
Rated Wire Size				min max
solid	AWG 28-20	-	-	0.2 mm ² 0.5 mm ²
stranded	-	-	-	
Test Voltage	1.3 kV	-	-	1.25 kV

AK3191/..KD-2.5-PEBBLE GREY AKZ3191/..KD-2.54-ORANGE

2- to n-poles



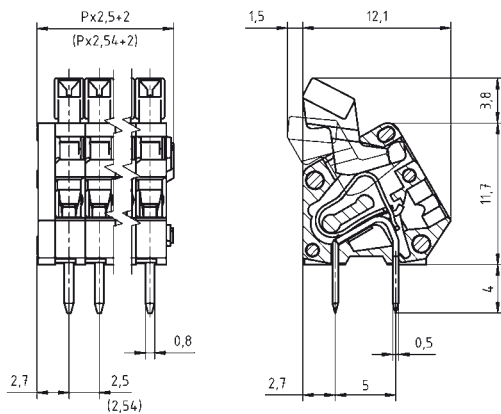
Technical Data

Wire Size		Insulating Material	
Solid min	0.08 mm ²	Material	PA 6.6
Solid max	1.0 mm ²	Flammability Class	UL 94 V-0
Stranded (flexible) min	0.14 mm ²	Temperatures	
Stranded (flexible) max	0.5 mm ²	Operating Temperature	-30 °C - 105 °C
Stranded with Ferrule min	0.14 mm ²	Wave Soldering Process	
Stranded with Ferrule max	0.14 mm ²	Soldering Temperature, recommended	265 °C
Dimensions		Peak Soldering Time, recommended	3-4 s
Stripped Length	5.0 mm	Reflow Process	
PCB Hole Diameter	1.1 mm	Soldering Temperature, recommended	-
Materials		Peak Soldering Time, recommended	-
Solder Tag	Copper Alloy		
Tension Spring	Stainless Steel		

Colours

PEBBLE GREY, RAL 7032 ORANGE, RAL 2011

Colours according to RAL, there may be variations on colour due to production conditions. Special colours on request.



Order Data (Spacing 2.5 mm)

Poles	Width (mm)	Article Designation	Article Number	PU
2	7.00	AK3191/2KD-2.5-PEBBLE GREY	53191021001F	200
3	9.50	AK3191/3KD-2.5-PEBBLE GREY	53191031001F	200
4	12.00	AK3191/4KD-2.5-PEBBLE GREY	53191041001F	200
5	14.50	AK3191/5KD-2.5-PEBBLE GREY	53191051001E	100
6	17.00	AK3191/6KD-2.5-PEBBLE GREY	53191061001E	100
7	19.50	AK3191/7KD-2.5-PEBBLE GREY	53191071001E	100
8	22.00	AK3191/8KD-2.5-PEBBLE GREY	53191081001D	50
9	24.50	AK3191/9KD-2.5-PEBBLE GREY	53191091001D	50
...
12	32.00	AK3191/12KD-2.5-PEBBLE GREY	53191121001D	50

Order Data (Spacing 2.54 mm)

Poles	Width (mm)	Article Designation	Article Number	PU
2	7.08	AKZ3191/2KD-2.54-ORANGE	53191020321F	200
3	9.62	AKZ3191/3KD-2.54-ORANGE	53191030321F	200
4	12.16	AKZ3191/4KD-2.54-ORANGE	53191040321F	200
5	14.70	AKZ3191/5KD-2.54-ORANGE	53191050321E	100
6	17.24	AKZ3191/6KD-2.54-ORANGE	53191060321E	100
7	19.78	AKZ3191/7KD-2.54-ORANGE	53191070321E	100
8	22.32	AKZ3191/8KD-2.54-ORANGE	53191080321D	50
9	24.86	AKZ3191/9KD-2.54-ORANGE	53191090321D	50
...
12	32.48	AKZ3191/12KD-2.54-ORANGE	53191120321D	50

Ratings



Usegroup	B	C	D	
Rated Voltage	150 V	-	-	130 V
Rated Current	4 A	-	-	9 A
Rated Wire Size				min max
solid	AWG 28-20	-	-	0.2 mm ² 0.5 mm ²
stranded	-	-	-	
Test Voltage	1.3 kV	-	-	1.25 kV

AK3000/..-5.0-PEBBLE GREY

1- to n-poles



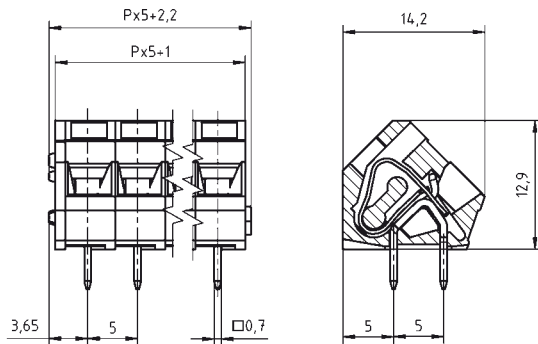
Technical Data

Wire Size		Insulating Material	
Solid min	0.08 mm ²	Material	PA 6.6
Solid max	2.5 mm ²	Flammability Class	UL 94 V-0
Stranded (flexible) min	0.14 mm ²	Temperatures	
Stranded (flexible) max	2.5 mm ²	Operating Temperature	-30 °C - 105 °C
Stranded with Ferrule min	0.14 mm ²	Wave Soldering Process	
Stranded with Ferrule max	1.5 mm ²	Soldering Temperature, recommended	265 °C
Dimensions		Peak Soldering Time, recommended	3-4 s
Stripped Length	6.0 mm	Reflow Process	
PCB Hole Diameter	1.0 mm	Soldering Temperature, recommended	-
Materials		Peak Soldering Time, recommended	-
Solder Tag	Copper Alloy		
Tension Spring	Stainless Steel		

Colours

	PEBBLE GREY, RAL 7032		ORANGE, RAL 2011
	BLUE, RAL 5015		LIGHT GREEN, similar RAL 6018




Colours according to RAL, there may be variations on colour due to production conditions. Special colours on request.



Order Data (Spacing 5.0 mm)

Poles	Width (mm)	Article Designation	Article Number	PU
2	12.20	AK3000/2-5.0-PEBBLE GREY	53000020001F	200
3	17.20	AK3000/3-5.0-PEBBLE GREY	53000030001F	200
4	22.20	AK3000/4-5.0-PEBBLE GREY	53000040001F	200
5	27.20	AK3000/5-5.0-PEBBLE GREY	53000050001E	100
6	32.20	AK3000/6-5.0-PEBBLE GREY	53000060001E	100
7	37.20	AK3000/7-5.0-PEBBLE GREY	53000070001E	100
8	42.20	AK3000/8-5.0-PEBBLE GREY	53000080001D	50
9	47.20	AK3000/9-5.0-PEBBLE GREY	53000090001D	50
10	52.20	AK3000/10-5.0-PEBBLE GREY	53000100001D	50
11	57.20	AK3000/11-5.0-PEBBLE GREY	53000110001D	50
12	62.20	AK3000/12-5.0-PEBBLE GREY	53000120001D	50
13	67.20	AK3000/13-5.0-PEBBLE GREY	53000130001D	50
14	72.20	AK3000/14-5.0-PEBBLE GREY	53000140001D	50
15	77.20	AK3000/15-5.0-PEBBLE GREY	53000150001D	50
16	82.20	AK3000/16-5.0-PEBBLE GREY	53000160001D	50
17	87.20	AK3000/17-5.0-PEBBLE GREY	53000170001D	50
18	92.20	AK3000/18-5.0-PEBBLE GREY	53000180001D	50
19	97.20	AK3000/19-5.0-PEBBLE GREY	53000190001D	50
20	102.20	AK3000/20-5.0-PEBBLE GREY	53000200001D	50
21	107.20	AK3000/21-5.0-PEBBLE GREY	53000210001D	50
22	112.20	AK3000/22-5.0-PEBBLE GREY	53000220001D	50
23	117.20	AK3000/23-5.0-PEBBLE GREY	53000230001D	50
24	122.20	AK3000/24-5.0-PEBBLE GREY	53000240001D	50

Accessories

Figure	Designation	Article Number
	Bridge, 2-pole, insulated, BR/2-5.0/5.08-LIGHT GREY	50000000006
	Bridge, 3-pole, insulated, BR/3-5.0/5.08-LIGHT GREY	50000000007
	Bridge, 2-pole, BR/2-5.0/5.08-L7.0	50000000008

See pages 214/215 for details and general accessories, and see pages 8/9 concerning services.

Ratings

Usegroup	B		C		D	
	300 V	15 A	-	-	300 V	10 A
Rated Voltage	300 V		-		300 V	
Rated Current	15 A		-		10 A	
Rated Wire Size					min	max
	solid	AWG 28-14	-	-	0.5 mm ²	2.5 mm ²
	stranded	AWG 28-14	-	-	0.5 mm ²	2.5 mm ²
Test Voltage	1.6 kV		-		1.6 kV	

AK3001/..KD-5.0-PEBBLE GREY

1- to n-poles



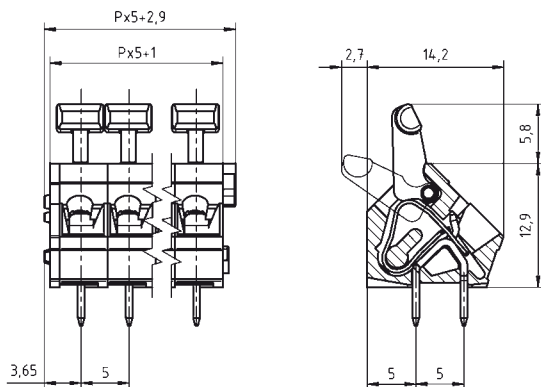
Technical Data

Wire Size		Insulating Material	
Solid min	0.08 mm ²	Material	PA 6.6
Solid max	2.5 mm ²	Flammability Class	UL 94 V-0
Stranded (flexible) min		Temperatures	
Stranded (flexible) max	0.14 mm ²	Operating Temperature	-30 °C - 105 °C
Stranded with Ferrule min		Wave Soldering Process	
Stranded with Ferrule max	0.14 mm ²	Soldering Temperature, recommended	265 °C
Stranded with Ferrule max		Peak Soldering Time, recommended	3-4 s
Dimensions		Reflow Process	
Stripped Length	6.0 mm	Soldering Temperature, recommended	-
PCB Hole Diameter	1.0 mm	Peak Soldering Time, recommended	-
Materials			
Solder Tag	Copper Alloy		
Tension Spring	Stainless Steel		

Colours

	PEBBLE GREY, RAL 7032		ORANGE, RAL 2011
	BLUE, RAL 5015		LIGHT GREEN, similar RAL 6018

Colours according to RAL, there may be variations on colour due to production conditions. Special colours on request.



Order Data (Spacing 5.0 mm)

Poles	Width (mm)	Article Designation	Article Number	PU
2	12.90	AK3001/2KD-5.0-PEBBLE GREY	53001020001F	200
3	17.90	AK3001/3KD-5.0-PEBBLE GREY	53001030001F	200
4	22.90	AK3001/4KD-5.0-PEBBLE GREY	53001040001F	200
5	27.90	AK3001/5KD-5.0-PEBBLE GREY	53001050001E	100
6	32.90	AK3001/6KD-5.0-PEBBLE GREY	53001060001E	100
7	37.90	AK3001/7KD-5.0-PEBBLE GREY	53001070001E	100
8	42.90	AK3001/8KD-5.0-PEBBLE GREY	53001080001D	50
9	47.90	AK3001/9KD-5.0-PEBBLE GREY	53001090001D	50
10	52.90	AK3001/10KD-5.0-PEBBLE GREY	53001100001D	50
11	57.90	AK3001/11KD-5.0-PEBBLE GREY	53001110001D	50
12	62.90	AK3001/12KD-5.0-PEBBLE GREY	53001120001D	50
13	67.90	AK3001/13KD-5.0-PEBBLE GREY	53001130001D	50
14	72.90	AK3001/14KD-5.0-PEBBLE GREY	53001140001D	50
15	77.90	AK3001/15KD-5.0-PEBBLE GREY	53001150001D	50
16	82.90	AK3001/16KD-5.0-PEBBLE GREY	53001160001D	50
17	87.90	AK3001/17KD-5.0-PEBBLE GREY	53001170001D	50
18	92.90	AK3001/18KD-5.0-PEBBLE GREY	53001180001D	50
19	97.90	AK3001/19KD-5.0-PEBBLE GREY	53001190001D	50
20	102.90	AK3001/20KD-5.0-PEBBLE GREY	53001200001D	50
21	107.90	AK3001/21KD-5.0-PEBBLE GREY	53001210001D	50
22	112.90	AK3001/22KD-5.0-PEBBLE GREY	53001220001D	50
23	117.90	AK3001/23KD-5.0-PEBBLE GREY	53001230001D	50
24	122.90	AK3001/24KD-5.0-PEBBLE GREY	53001240001D	50

Accessories

Figure	Designation	Article Number
	Bridge, 2-pole, insulated, BR/2-5.0/5.08-LIGHT GREY	50000000006
	Bridge, 3-pole, insulated, BR/3-5.0/5.08-LIGHT GREY	50000000007
	Bridge, 2-pole, BR/2-5.0/5.08-L7.0	50000000008

See pages 214/215 for details and general accessories, and see pages 8/9 concerning services.

Ratings



Usegroup	B	C	D		
Rated Voltage	300 V	-	300 V	250 V	
Rated Current	15 A	-	10 A	24 A	
Rated Wire Size			min		max
	solid	AWG 28-14	-	AWG 28-14	0.5 mm ² 2.5 mm ²
	stranded	AWG 28-14	-	AWG 28-14	0.5 mm ² 2.5 mm ²
Test Voltage	1.6 kV		-	1.6 kV	2.0 kV

AK3001/..FD-5.0-PEBBLE GREY

1- to n-poles



Technical Data

Wire Size		Insulating Material	
Solid min	0.08 mm ²	Material	PA 6.6
Solid max	2.5 mm ²	Flammability Class	UL 94 V-0
Stranded (flexible) min	0.14 mm ²	Temperatures	
Stranded (flexible) max	2.5 mm ²	Operating Temperature	-30 °C - 105 °C
Stranded with Ferrule min	0.14 mm ²	Wave Soldering Process	
Stranded with Ferrule max	1.5 mm ²	Soldering Temperature, recommended	265 °C
Dimensions		Peak Soldering Time, recommended	3-4 s
Stripped Length	6.0 mm	Reflow Process	
PCB Hole Diameter	1.0 mm	Soldering Temperature, recommended	-
Materials		Peak Soldering Time, recommended	-
Solder Tag	Copper Alloy		
Tension Spring	Stainless Steel		

Colours




	PEBBLE GREY, RAL 7032		GREEN, RAL 6018
	ORANGE, RAL 2011		BLUE, RAL 5015

Colours according to RAL, there may be variations on colour due to production conditions. Special colours on request.

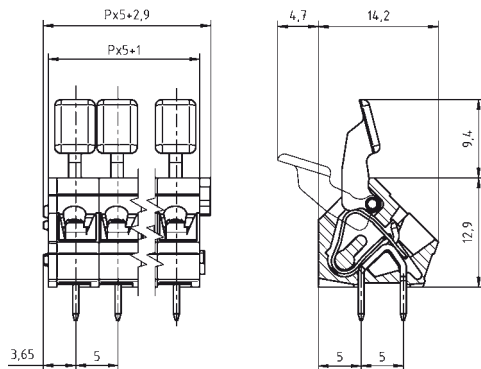
Order Data (Spacing 5.0 mm)

Poles	Width (mm)	Article Designation	Article Number	PU
2	12.90	AK3001/2FD-5.0-PEBBLE GREY	53001020021F	200
3	17.90	AK3001/3FD-5.0-PEBBLE GREY	53001030021F	200
4	22.90	AK3001/4FD-5.0-PEBBLE GREY	53001040021F	200
5	27.90	AK3001/5FD-5.0-PEBBLE GREY	53001050021E	100
6	32.90	AK3001/6FD-5.0-PEBBLE GREY	53001060021E	100
7	37.90	AK3001/7FD-5.0-PEBBLE GREY	53001070021E	100
8	42.90	AK3001/8FD-5.0-PEBBLE GREY	53001080021D	50
9	47.90	AK3001/9FD-5.0-PEBBLE GREY	53001090021D	50
10	52.90	AK3001/10FD-5.0-PEBBLE GREY	53001100021D	50
11	57.90	AK3001/11FD-5.0-PEBBLE GREY	53001110021D	50
12	62.90	AK3001/12FD-5.0-PEBBLE GREY	53001120021D	50
13	67.90	AK3001/13FD-5.0-PEBBLE GREY	53001130021D	50
14	72.90	AK3001/14FD-5.0-PEBBLE GREY	53001140021D	50
15	77.90	AK3001/15FD-5.0-PEBBLE GREY	53001150021D	50
16	82.90	AK3001/16FD-5.0-PEBBLE GREY	53001160021D	50
17	87.90	AK3001/17FD-5.0-PEBBLE GREY	53001170021D	50
18	92.90	AK3001/18FD-5.0-PEBBLE GREY	53001180021D	50
19	97.90	AK3001/19FD-5.0-PEBBLE GREY	53001190021D	50
20	102.90	AK3001/20FD-5.0-PEBBLE GREY	53001200021D	50
21	107.90	AK3001/21FD-5.0-PEBBLE GREY	53001210021D	50
22	112.90	AK3001/22FD-5.0-PEBBLE GREY	53001220021D	50
23	117.90	AK3001/23FD-5.0-PEBBLE GREY	53001230021D	50
24	122.90	AK3001/24FD-5.0-PEBBLE GREY	53001240021D	50

Accessories

Figure	Designation	Article Number
	Bridge, 2-pole, insulated, BR/2-5.0/5.08-LIGHT GREY	50000000006
	Bridge, 3-pole, insulated, BR/3-5.0/5.08-LIGHT GREY	50000000007
	Bridge, 2-pole, BR/2-5.0/5.08-L7.0	50000000008

See pages 214/215 for details and general accessories, and see pages 8/9 concerning services.



Ratings

Usegroup	B		C		D	
	300 V		-		300 V	
Rated Voltage	300 V		-		300 V	
Rated Current	15 A		-		10 A	
Rated Wire Size	min		max		min	
	solid	AWG 28-14	-	AWG 28-14	0.5 mm ²	2.5 mm ²
	stranded	AWG 28-14	-	AWG 28-14	0.5 mm ²	2.5 mm ²
Test Voltage	1.6 kV		-		1.6 kV	

AK3100/..-5.0-PEBBLE GREY

1- to n-poles



Technical Data

Wire Size		Insulating Material	
Solid min	0.14 mm ²	Material	PA 6.6
Solid max	2.5 mm ²	Flammability Class	UL 94 V-0
Stranded (flexible) min	0.14 mm ²	Temperatures	
Stranded (flexible) max	2.5 mm ²	Operating Temperature	-30 °C - 105 °C
Stranded with Ferrule min	0.14 mm ²	Wave Soldering Process	
Stranded with Ferrule max	1.5 mm ²	Soldering Temperature, recommended	265 °C
Dimensions		Peak Soldering Time, recommended	3-4 s
Stripped Length	6.0 mm	Reflow Process	
PCB Hole Diameter	1.0 mm	Soldering Temperature, recommended	-
Materials		Peak Soldering Time, recommended	-
Solder Tag	Copper Alloy		
Tension Spring	Stainless Steel		

Colours

PEBBLE GREY, RAL 7032

Colours according to RAL, there may be variations on colour due to production conditions. Special colours on request.

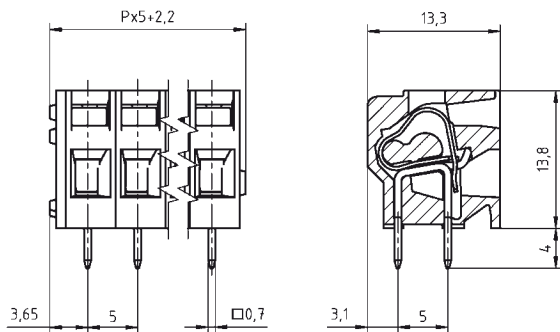
Order Data (Spacing 5.0 mm)

Poles	Width (mm)	Article Designation	Article Number	PU
2	12.20	AK3100/2-5.0-PEBBLE GREY	53100020001F	200
3	17.20	AK3100/3-5.0-PEBBLE GREY	53100030001F	200
4	22.20	AK3100/4-5.0-PEBBLE GREY	53100040001F	200
5	27.20	AK3100/5-5.0-PEBBLE GREY	53100050001E	100
6	32.20	AK3100/6-5.0-PEBBLE GREY	53100060001E	100
7	37.20	AK3100/7-5.0-PEBBLE GREY	53100070001E	100
8	42.20	AK3100/8-5.0-PEBBLE GREY	53100080001D	50
9	47.20	AK3100/9-5.0-PEBBLE GREY	53100090001D	50
10	52.20	AK3100/10-5.0-PEBBLE GREY	53100100001D	50
11	57.20	AK3100/11-5.0-PEBBLE GREY	53100110001D	50
12	62.20	AK3100/12-5.0-PEBBLE GREY	53100120001D	50
13	67.20	AK3100/13-5.0-PEBBLE GREY	53100130001D	50
14	72.20	AK3100/14-5.0-PEBBLE GREY	53100140001D	50
15	77.20	AK3100/15-5.0-PEBBLE GREY	53100150001D	50
16	82.20	AK3100/16-5.0-PEBBLE GREY	53100160001D	50
17	87.20	AK3100/17-5.0-PEBBLE GREY	53100170001D	50
18	92.20	AK3100/18-5.0-PEBBLE GREY	53100180001D	50
19	97.20	AK3100/19-5.0-PEBBLE GREY	53100190001D	50
20	102.20	AK3100/20-5.0-PEBBLE GREY	53100200001D	50
21	107.20	AK3100/21-5.0-PEBBLE GREY	53100210001D	50
22	112.20	AK3100/22-5.0-PEBBLE GREY	53100220001D	50
23	117.20	AK3100/23-5.0-PEBBLE GREY	53100230001D	50
24	122.20	AK3100/24-5.0-PEBBLE GREY	53100240001D	50

Accessories

Figure	Designation	Article Number
	Bridge, 2-pole, insulated, BR/2-5.0/5.08-LIGHT GREY	50000000006
	Bridge, 3-pole, insulated, BR/3-5.0/5.08-LIGHT GREY	50000000007
	Bridge, 2-pole, BR/2-5.0/5.08-L7.0	50000000008

See pages 214/215 for details and general accessories, and see pages 8/9 concerning services.



Ratings

Usegroup	c				
	B	C	D		
Rated Voltage	300 V	-	300 V	250 V	
Rated Current	16 A	-	10 A	24 A	
Rated Wire Size				min max	
	solid	AWG 28-14	-	AWG 28-14	0.5 mm ² 2.5 mm ²
	stranded	AWG 28-14	-	AWG 28-14	0.5 mm ² 2.5 mm ²
Test Voltage	1.6 kV	-	1.6 kV	2.0 kV	

AK3101/..WD-5.0-PEBBLE GREY

1- to n-poles



Technical Data

Wire Size		Insulating Material	
Solid min	0.14 mm ²	Material	PA 6.6
Solid max	2.5 mm ²	Flammability Class	UL 94 V-0
Stranded (flexible) min	0.14 mm ²	Temperatures	
Stranded (flexible) max	2.5 mm ²	Operating Temperature	-30 °C - 105 °C
Stranded with Ferrule min	0.14 mm ²	Wave Soldering Process	
Stranded with Ferrule max	1.5 mm ²	Soldering Temperature, recommended	265 °C
Dimensions		Peak Soldering Time, recommended	3-4 s
Stripped Length	6.0 mm	Reflow Process	
PCB Hole Diameter	1.0 mm	Soldering Temperature, recommended	-
Materials		Peak Soldering Time, recommended	-
Solder Tag	Copper Alloy		
Tension Spring	Stainless Steel		

Colours

PEBBLE GREY, RAL 7032 GREEN, RAL 6018

Colours according to RAL, there may be variations on colour due to production conditions. Special colours on request.

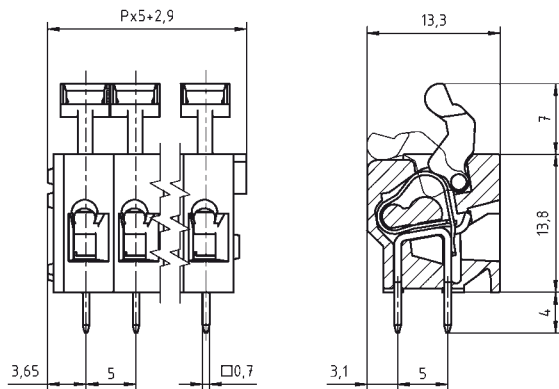
Order Data (Spacing 5.0 mm)

Poles	Width (mm)	Article Designation	Article Number	PU
2	12.90	AK3101/2WD-5.0-PEBBLE GREY	53101020021F	200
3	17.90	AK3101/3WD-5.0-PEBBLE GREY	53101030021F	200
4	22.90	AK3101/4WD-5.0-PEBBLE GREY	53101040021F	200
5	27.90	AK3101/5WD-5.0-PEBBLE GREY	53101050021E	100
6	32.90	AK3101/6WD-5.0-PEBBLE GREY	53101060021E	100
7	37.90	AK3101/7WD-5.0-PEBBLE GREY	53101070021E	100
8	42.90	AK3101/8WD-5.0-PEBBLE GREY	53101080021D	50
9	47.90	AK3101/9WD-5.0-PEBBLE GREY	53101090021D	50
10	52.90	AK3101/10WD-5.0-PEBBLE GREY	53101100021D	50
11	57.90	AK3101/11WD-5.0-PEBBLE GREY	53101110021D	50
12	62.90	AK3101/12WD-5.0-PEBBLE GREY	53101120021D	50
13	67.90	AK3101/13WD-5.0-PEBBLE GREY	53101130021D	50
14	72.90	AK3101/14WD-5.0-PEBBLE GREY	53101140021D	50
15	77.90	AK3101/15WD-5.0-PEBBLE GREY	53101150021D	50
16	82.90	AK3101/16WD-5.0-PEBBLE GREY	53101160021D	50
17	87.90	AK3101/17WD-5.0-PEBBLE GREY	53101170021D	50
18	92.90	AK3101/18WD-5.0-PEBBLE GREY	53101180021D	50
19	97.90	AK3101/19WD-5.0-PEBBLE GREY	53101190021D	50
20	102.90	AK3101/20WD-5.0-PEBBLE GREY	53101200021D	50
21	107.90	AK3101/21WD-5.0-PEBBLE GREY	53101210021D	50
22	112.90	AK3101/22WD-5.0-PEBBLE GREY	53101220021D	50
23	117.90	AK3101/23WD-5.0-PEBBLE GREY	53101230021D	50
24	122.90	AK3101/24WD-5.0-PEBBLE GREY	53101240021D	50

Accessories

Figure	Designation	Article Number
	Bridge, 2-pole, insulated, BR/2-5.0/5.08-LIGHT GREY	50000000006
	Bridge, 3-pole, insulated, BR/3-5.0/5.08-LIGHT GREY	50000000007
	Bridge, 2-pole, BR/2-5.0/5.08-L7.0	50000000008

See pages 214/215 for details and general accessories, and see pages 8/9 concerning services.



Ratings

Usegroup	cULus		VDE	
	B	C	D	
Rated Voltage	300 V	-	300 V	250 V
Rated Current	16 A	-	10 A	24 A
Rated Wire Size				min max
	solid	AWG 28-14	-	AWG 28-14 0.5 mm ² 2.5 mm ²
	stranded	AWG 28-14	-	AWG 28-14 0.5 mm ² 2.5 mm ²
Test Voltage	1.6 kV	-	1.6 kV	2.0 kV

AK3750/..-5.0-GREEN AKZ3750/..-5.08-GREEN

1- to n-poles



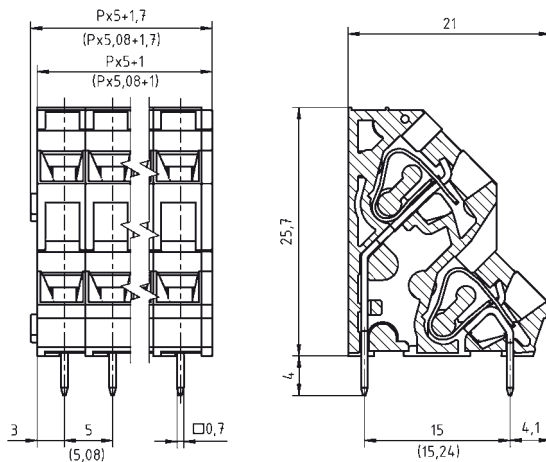
Technical Data

Wire Size		Insulating Material	
Solid min	0.08 mm ²	Material	PA 6.6
Solid max	2.5 mm ²	Flammability Class	UL 94 V-0
Stranded (flexible) min		Temperatures	
Stranded (flexible) min	0.14 mm ²	Operating Temperature	-30 °C - 105 °C
Stranded (flexible) max	2.5 mm ²	Wave Soldering Process	
Stranded with Ferrule min	0.14 mm ²	Soldering Temperature, recommended	265 °C
Stranded with Ferrule max	1.5 mm ²	Peak Soldering Time, recommended	3-4 s
Dimensions		Reflow Process	
Stripped Length	6.0 mm	Soldering Temperature, recommended	-
PCB Hole Diameter	1.0 mm	Peak Soldering Time, recommended	-
Materials			
Solder Tag	Copper Alloy		
Tension Spring	Stainless Steel		

Colours

- GREEN, RAL 6018
- TRAFFIC GREY, RAL7042
- LIGHT GREEN, similar RAL 6018

Colours according to RAL, there may be variations on colour due to production conditions. Special colours on request.






Order Data (Spacing 5.0 mm)

Poles	Width (mm)	Article Designation	Article Number	PU
2	11.70	AK3750/2-5.0-GREEN	53750020203E	100
3	16.70	AK3750/3-5.0-GREEN	53750030203E	100
4	21.70	AK3750/4-5.0-GREEN	53750040203D	50
5	26.70	AK3750/5-5.0-GREEN	53750050203D	50
6	31.70	AK3750/6-5.0-GREEN	53750060203D	50
7	36.70	AK3750/7-5.0-GREEN	53750070203D	50
8	41.70	AK3750/8-5.0-GREEN	53750080203D	50
9	46.70	AK3750/9-5.0-GREEN	53750090203D	50
...
12	61.70	AK3750/12-5.0-GREEN	53750120203D	50

Order Data (Spacing 5.08 mm)



Poles	Width (mm)	Article Designation	Article Number	PU
2	11.86	AKZ3750/2-5.08-GREEN	53750020213E	100
3	16.94	AKZ3750/3-5.08-GREEN	53750030213E	100
4	22.02	AKZ3750/4-5.08-GREEN	53750040213D	50
5	27.10	AKZ3750/5-5.08-GREEN	53750050213D	50
6	32.18	AKZ3750/6-5.08-GREEN	53750060213D	50
7	37.26	AKZ3750/7-5.08-GREEN	53750070213D	50
8	42.34	AKZ3750/8-5.08-GREEN	53750080213D	50
9	47.42	AKZ3750/9-5.08-GREEN	53750090213D	50
...
12	62.66	AKZ3750/12-5.08-GREEN	53750120213D	50

Accessories

Figure	Designation	Article Number
	Bridge, 2-pole, insulated, BR/2-5.0/5.08-LIGHT GREY	50000000006
	Bridge, 3-pole, insulated, BR/3-5.0/5.08-LIGHT GREY	50000000007
	Bridge, 2-pole, BR/2-5.0/5.08-L7.0	50000000008

See pages 214/215 for details and general accessories, and see pages 8/9 concerning services.

Ratings

Usegroup	c 				
	B	C	D		
Rated Voltage	300 V	-	300 V	250 V	
Rated Current	16 A	-	10 A	12 A	
Rated Wire Size				min max	
	solid	AWG 28-14	-	AWG 28-14	0.5 mm ² 2.5 mm ²
	stranded	AWG 28-14	-	AWG 28-14	0.5 mm ² 2.5 mm ²
Test Voltage	1.6 kV	-	1.6 kV	2.0 kV	

AK3750/..-5.0-GREEN-PD10.0 AKZ3750/..-5.08-GREEN-PD10.16

1- to n-poles



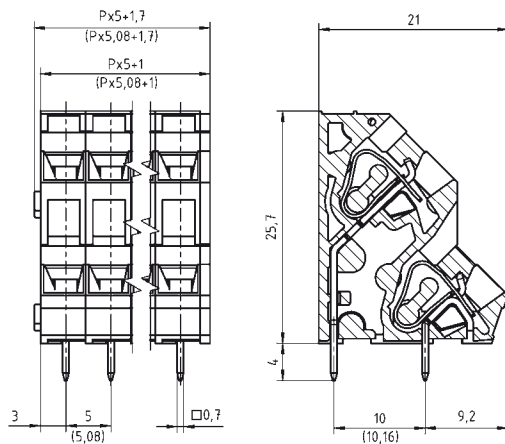
Technical Data

Wire Size		Insulating Material	
Solid min	0.08 mm ²	Material	PA 6.6
Solid max	2.5 mm ²	Flammability Class	UL 94 V-0
Stranded (flexible) min	0.14 mm ²	Temperatures	
Stranded (flexible) max	2.5 mm ²	Operating Temperature	-30 °C - 105 °C
Stranded with Ferrule min	0.14 mm ²	Wave Soldering Process	
Stranded with Ferrule max	1.5 mm ²	Soldering Temperature, recommended	265 °C
		Peak Soldering Time, recommended	3-4 s
Dimensions		Reflow Process	
Stripped Length	6.0 mm	Soldering Temperature, recommended	-
PCB Hole Diameter	1.0 mm	Peak Soldering Time, recommended	-
Materials			
Solder Tag	Copper Alloy		
Tension Spring	Stainless Steel		

Colours

- GREEN, RAL 6018
- TRAFFIC GREY, RAL7042
- LIGHT GREEN, similar RAL 6018

Colours according to RAL, there may be variations on colour due to production conditions. Special colours on request.






Order Data (Spacing 5.0 mm)

Poles	Width (mm)	Article Designation	Article Number	PU
2	11.70	AK3750/2-5.0-GREEN-PD10.0	53750020241 E	100
3	16.70	AK3750/3-5.0-GREEN-PD10.0	53750030241 E	100
4	21.70	AK3750/4-5.0-GREEN-PD10.0	53750040241 D	50
5	26.70	AK3750/5-5.0-GREEN-PD10.0	53750050241 D	50
6	31.70	AK3750/6-5.0-GREEN-PD10.0	53750060241 D	50
7	36.70	AK3750/7-5.0-GREEN-PD10.0	53750070241 D	50
8	41.70	AK3750/8-5.0-GREEN-PD10.0	53750080241 D	50
9	46.70	AK3750/9-5.0-GREEN-PD10.0	53750090241 D	50
...
12	61.70	AK3750/12-5.0-GREEN-PD10.0	53750120241 D	50

Order Data (Spacing 5.08 mm)

Poles	Width (mm)	Article Designation	Article Number	PU
2	11.86	AKZ3750/2-5.08-GREEN-PD10.16	53750020251 E	100
3	16.94	AKZ3750/3-5.08-GREEN-PD10.16	53750030251 E	100
4	22.02	AKZ3750/4-5.08-GREEN-PD10.16	53750040251 D	50
5	27.10	AKZ3750/5-5.08-GREEN-PD10.16	53750050251 D	50
6	32.18	AKZ3750/6-5.08-GREEN-PD10.16	53750060251 D	50
7	37.26	AKZ3750/7-5.08-GREEN-PD10.16	53750070251 D	50
8	42.34	AKZ3750/8-5.08-GREEN-PD10.16	53750080251 D	50
9	47.42	AKZ3750/9-5.08-GREEN-PD10.16	53750090251 D	50
...
12	62.66	AKZ3750/12-5.08-GREEN-PD10.16	53750120251 D	50

Accessories

Figure	Designation	Article Number
	Bridge, 2-pole, insulated, BR/2-5.0/5.08-LIGHT GREY	50000000006
	Bridge, 3-pole, insulated, BR/3-5.0/5.08-LIGHT GREY	50000000007
	Bridge, 2-pole, BR/2-5.0/5.08-L7.0	50000000008

See pages 214/215 for details and general accessories, and see pages 8/9 concerning services.

Ratings

Usegroup	c RALUS		VDE		
	B	C	D		
Rated Voltage	300 V	-	300 V	250 V	
Rated Current	16 A	-	10 A	12 A	
Rated Wire Size				min max	
	solid	AWG 28-14	-	AWG 28-14	0.5 mm ² 2.5 mm ²
	stranded	AWG 28-14	-	AWG 28-14	0.5 mm ² 2.5 mm ²
Test Voltage	1.6 kV	-	1.6 kV	2.0 kV	

AK3750/..VP-5.0-GREEN AKZ3750/..VP-5.08-GREEN

1- to n-poles



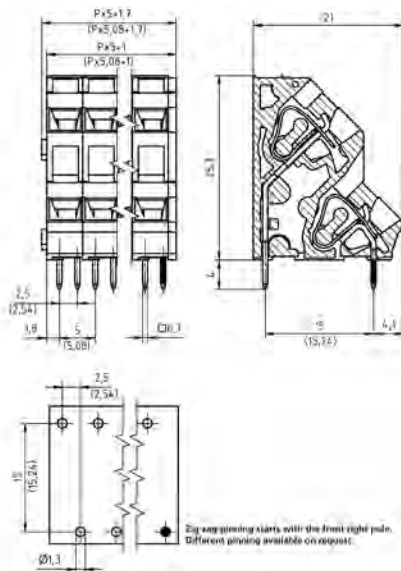
Technical Data

Wire Size		Insulating Material	
Solid min	0.08 mm ²	Material	PA 6.6
Solid max	2.5 mm ²	Flammability Class	UL 94 V-0
Stranded (flexible) min		Temperatures	
Stranded (flexible) max	0.14 mm ²	Operating Temperature	-30 °C - 105 °C
Stranded with Ferrule min		Wave Soldering Process	
Stranded with Ferrule max	0.14 mm ²	Soldering Temperature, recommended	265 °C
Stranded with Ferrule max		Peak Soldering Time, recommended	3-4 s
Dimensions		Reflow Process	
Stripped Length	6.0 mm	Soldering Temperature, recommended	-
PCB Hole Diameter	1.0 mm	Peak Soldering Time, recommended	-
Materials			
Solder Tag	Copper Alloy		
Tension Spring	Stainless Steel		

Colours

- GREEN, RAL 6018
- TRAFFIC GREY, RAL7042
- LIGHT GREEN, similar RAL 6018

Colours according to RAL, there may be variations on colour due to production conditions. Special colours on request.






Order Data (Spacing 5.0 mm)

Poles	Width (mm)	Article Designation	Article Number	PU
2	11.70	AK3750/2VP-5.0-GREEN	53750020201E	100
3	16.70	AK3750/3VP-5.0-GREEN	53750030201E	100
4	21.70	AK3750/4VP-5.0-GREEN	53750040201D	50
5	26.70	AK3750/5VP-5.0-GREEN	53750050201D	50
6	31.70	AK3750/6VP-5.0-GREEN	53750060201D	50
7	36.70	AK3750/7VP-5.0-GREEN	53750070201D	50
8	41.70	AK3750/8VP-5.0-GREEN	53750080201D	50
9	46.70	AK3750/9VP-5.0-GREEN	53750090201D	50
...
12	61.70	AK3750/12VP-5.0-GREEN	53750120201D	50

Order Data (Spacing 5.08 mm)



Poles	Width (mm)	Article Designation	Article Number	PU
2	11.86	AKZ3750/2VP-5.08-GREEN	53750020210E	100
3	16.94	AKZ3750/3VP-5.08-GREEN	53750030210E	100
4	22.02	AKZ3750/4VP-5.08-GREEN	53750040210D	50
5	27.10	AKZ3750/5VP-5.08-GREEN	53750050210D	50
6	32.18	AKZ3750/6VP-5.08-GREEN	53750060210D	50
7	37.26	AKZ3750/7VP-5.08-GREEN	53750070210D	50
8	42.34	AKZ3750/8VP-5.08-GREEN	53750080210D	50
9	47.42	AKZ3750/9VP-5.08-GREEN	53750090210D	50
...
12	62.66	AKZ3750/12VP-5.08-GREEN	53750120210D	50

Accessories

Figure	Designation	Article Number
	Bridge, 2-pole, insulated, BR/2-5.0/5.08-LIGHT GREY	50000000006
	Bridge, 3-pole, insulated, BR/3-5.0/5.08-LIGHT GREY	50000000007
	Bridge, 2-pole, BR/2-5.0/5.08-L7.0	50000000008

See pages 214/215 for details and general accessories, and see pages 8/9 concerning services.

Ratings

Usegroup	c 					
	B	C	D			
Rated Voltage	300 V	-	300 V	250 V		
Rated Current	16 A	-	10 A	12 A		
Rated Wire Size				min	max	
	solid	AWG 28-14	-	AWG 28-14	0.5 mm ²	2.5 mm ²
	stranded	AWG 28-14	-	AWG 28-14	0.5 mm ²	2.5 mm ²
Test Voltage	1.6 kV		1.6 kV		2.0 kV	

* Approval Pending

AK3010/..-7.5-PEBBLE GREY

1- to n-poles



Technical Data

Wire Size		Insulating Material	
Solid min	0.08 mm ²	Material	PA 6.6
Solid max	2.5 mm ²	Flammability Class	UL 94 V-0
Stranded (flexible) min	0.14 mm ²	Temperatures	
Stranded (flexible) max	2.5 mm ²	Operating Temperature	-30 °C - 105 °C
Stranded with Ferrule min	0.14 mm ²	Wave Soldering Process	
Stranded with Ferrule max	1.5 mm ²	Soldering Temperature, recommended	265 °C
Dimensions		Peak Soldering Time, recommended	3-4 s
Stripped Length	6.0 mm	Reflow Process	
PCB Hole Diameter	1.0 mm	Soldering Temperature, recommended	-
Materials		Peak Soldering Time, recommended	-
Solder Tag	Copper Alloy		
Tension Spring	Stainless Steel		

Colours

PEBBLE GREY, RAL 7032

Colours according to RAL, there may be variations on colour due to production conditions. Special colours on request.

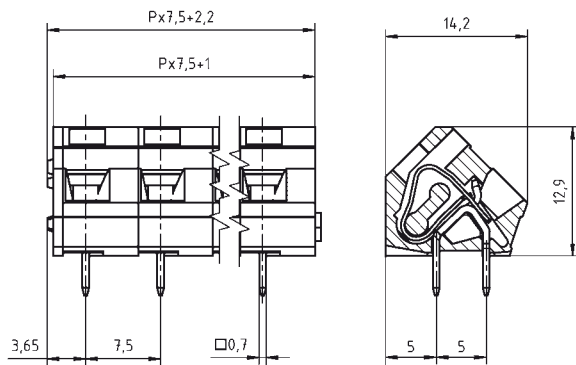
Order Data (Spacing 7.5 mm)

Poles	Width (mm)	Article Designation	Article Number	PU
2	17.20	AK3010/2-7.5-PEBBLE GREY	53010020001E	100
3	24.70	AK3010/3-7.5-PEBBLE GREY	53010030001E	100
4	32.20	AK3010/4-7.5-PEBBLE GREY	53010040001E	100
5	39.70	AK3010/5-7.5-PEBBLE GREY	53010050001E	100
6	47.20	AK3010/6-7.5-PEBBLE GREY	53010060001D	50
7	54.70	AK3010/7-7.5-PEBBLE GREY	53010070001D	50
8	62.20	AK3010/8-7.5-PEBBLE GREY	53010080001D	50
9	69.70	AK3010/9-7.5-PEBBLE GREY	53010090001D	50
10	77.20	AK3010/10-7.5-PEBBLE GREY	53010100001D	50
11	84.70	AK3010/11-7.5-PEBBLE GREY	53010110001D	50
12	92.20	AK3010/12-7.5-PEBBLE GREY	53010120001D	50
13	99.70	AK3010/13-7.5-PEBBLE GREY	53010130001D	50
14	107.20	AK3010/14-7.5-PEBBLE GREY	53010140001D	50
15	114.70	AK3010/15-7.5-PEBBLE GREY	53010150001D	50
16	122.20	AK3010/16-7.5-PEBBLE GREY	53010160001D	50
17	129.70	AK3010/17-7.5-PEBBLE GREY	53010170001D	50
18	137.20	AK3010/18-7.5-PEBBLE GREY	53010180001D	50
19	144.70	AK3010/19-7.5-PEBBLE GREY	53010190001D	50
20	152.20	AK3010/20-7.5-PEBBLE GREY	53010200001D	50
21	159.70	AK3010/21-7.5-PEBBLE GREY	53010210001D	50
22	167.20	AK3010/22-7.5-PEBBLE GREY	53010220001D	50
23	174.70	AK3010/23-7.5-PEBBLE GREY	53010230001D	50
24	182.20	AK3010/24-7.5-PEBBLE GREY	53010240001D	50

Accessories

Figure	Designation	Article Number
	Bridge, 2-pole, insulated, BR/2-7.5-7.62-L8.2-LIGHT GREY	50000000017

See pages 214/215 for details and general accessories, and see pages 8/9 concerning services.



Ratings

Usegroup	UL US		VDE	
	B	C	D	
Rated Voltage	300 V	-	300 V	750 V
Rated Current	16 A	-	10 A	24 A
Rated Wire Size				min max
solid	AWG 28-14	-	AWG 28-14	0.5 mm ² 2.5 mm ²
stranded	AWG 28-14	-	AWG 28-14	0.5 mm ² 2.5 mm ²
Test Voltage	1.6 kV	-	1.6 kV	3.0 kV

AK3011/..KD-7.5-PEBBLE GREY

1- to n-poles



Technical Data

Wire Size		Insulating Material	
Solid min	0.08 mm ²	Material	PA 6.6
Solid max	2.5 mm ²	Flammability Class	UL 94 V-0
Stranded (flexible) min	0.14 mm ²	Temperatures	
Stranded (flexible) max	2.5 mm ²	Operating Temperature	-30 °C - 105 °C
Stranded with Ferrule min	0.14 mm ²	Wave Soldering Process	
Stranded with Ferrule max	1.5 mm ²	Soldering Temperature, recommended	265 °C
Dimensions		Peak Soldering Time, recommended	3-4 s
Stripped Length	6.0 mm	Reflow Process	
PCB Hole Diameter	1.0 mm	Soldering Temperature, recommended	-
Materials		Peak Soldering Time, recommended	-
Solder Tag	Copper Alloy		
Tension Spring	Stainless Steel		

Colours


PEBBLE GREY, RAL 7032

Colours according to RAL, there may be variations on colour due to production conditions. Special colours on request.

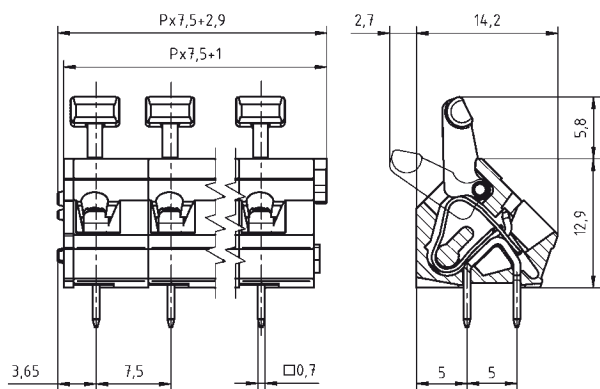
Order Data (Spacing 7.5 mm)

Poles	Width (mm)	Article Designation	Article Number	PU
2	17.90	AK3011/2KD-7.5-PEBBLE GREY	53011020001E	100
3	25.40	AK3011/3KD-7.5-PEBBLE GREY	53011030001E	100
4	32.90	AK3011/4KD-7.5-PEBBLE GREY	53011040001E	100
5	40.40	AK3011/5KD-7.5-PEBBLE GREY	53011050001E	100
6	47.90	AK3011/6KD-7.5-PEBBLE GREY	53011060001D	50
7	55.40	AK3011/7KD-7.5-PEBBLE GREY	53011070001D	50
8	62.90	AK3011/8KD-7.5-PEBBLE GREY	53011080001D	50
9	70.40	AK3011/9KD-7.5-PEBBLE GREY	53011090001D	50
10	77.90	AK3011/10KD-7.5-PEBBLE GREY	53011100001D	50
11	85.40	AK3011/11KD-7.5-PEBBLE GREY	53011110001D	50
12	92.90	AK3011/12KD-7.5-PEBBLE GREY	53011120001D	50
13	100.40	AK3011/13KD-7.5-PEBBLE GREY	53011130001D	50
14	107.90	AK3011/14KD-7.5-PEBBLE GREY	53011140001D	50
15	115.40	AK3011/15KD-7.5-PEBBLE GREY	53011150001D	50
16	122.90	AK3011/16KD-7.5-PEBBLE GREY	53011160001D	50
17	130.40	AK3011/17KD-7.5-PEBBLE GREY	53011170001D	50
18	137.90	AK3011/18KD-7.5-PEBBLE GREY	53011180001D	50
19	145.40	AK3011/19KD-7.5-PEBBLE GREY	53011190001D	50
20	152.90	AK3011/20KD-7.5-PEBBLE GREY	53011200001D	50
21	160.40	AK3011/21KD-7.5-PEBBLE GREY	53011210001D	50
22	167.90	AK3011/22KD-7.5-PEBBLE GREY	53011220001D	50
23	175.40	AK3011/23KD-7.5-PEBBLE GREY	53011230001D	50
24	182.90	AK3011/24KD-7.5-PEBBLE GREY	53011240001D	50

Accessories

Figure	Designation	Article Number
	Bridge, 2-pole, insulated, BRI/2-7.5-7.62-L8.2-LIGHT GREY	50000000017

See pages 214/215 for details and general accessories, and see pages 8/9 concerning services.



Ratings



Usegroup	B	C	D			
Rated Voltage	300 V	-	300 V	750 V		
Rated Current	16 A	-	10 A	24 A		
Rated Wire Size					min	max
	solid	AWG 28-14	-	AWG 28-14	0.5 mm ²	2.5 mm ²
	stranded	AWG 28-14	-	AWG 28-14	0.5 mm ²	2.5 mm ²
Test Voltage	1.6 kV	-	1.6 kV	3.0 kV		

AK3011/..FD-7.5-PEBBLE GREY

1- to n-poles



Technical Data

Wire Size		Insulating Material	
Solid min	0.08 mm ²	Material	PA 6.6
Solid max	2.5 mm ²	Flammability Class	UL 94 V-0
Stranded (flexible) min	0.14 mm ²	Temperatures	
Stranded (flexible) max	2.5 mm ²	Operating Temperature	-30 °C - 105 °C
Stranded with Ferrule min	0.14 mm ²	Wave Soldering Process	
Stranded with Ferrule max	1.5 mm ²	Soldering Temperature, recommended	265 °C
Dimensions		Peak Soldering Time, recommended	3-4 s
Stripped Length	6.0 mm	Reflow Process	
PCB Hole Diameter	1.0 mm	Soldering Temperature, recommended	-
Materials		Peak Soldering Time, recommended	-
Solder Tag	Copper Alloy		
Tension Spring	Stainless Steel		

Colours

PEBBLE GREY, RAL 7032

Colours according to RAL, there may be variations on colour due to production conditions. Special colours on request.

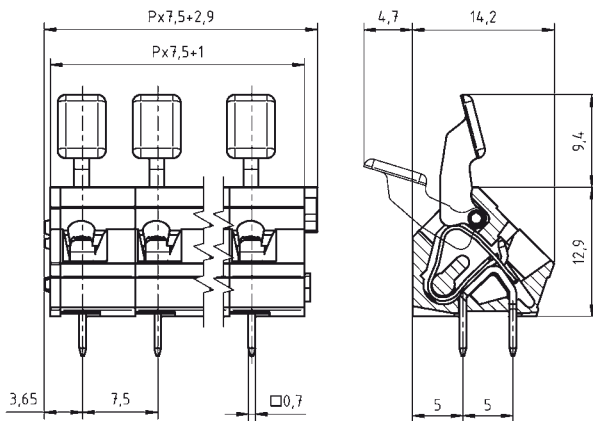
Order Data (Spacing 7.5 mm)

Poles	Width (mm)	Article Designation	Article Number	PU
2	17.90	AK3011/2FD-7.5-PEBBLE GREY	53011020021E	100
3	25.40	AK3011/3FD-7.5-PEBBLE GREY	53011030021E	100
4	32.90	AK3011/4FD-7.5-PEBBLE GREY	53011040021E	100
5	40.40	AK3011/5FD-7.5-PEBBLE GREY	53011050021E	100
6	47.90	AK3011/6FD-7.5-PEBBLE GREY	53011060021D	50
7	55.40	AK3011/7FD-7.5-PEBBLE GREY	53011070021D	50
8	62.90	AK3011/8FD-7.5-PEBBLE GREY	53011080021D	50
9	70.40	AK3011/9FD-7.5-PEBBLE GREY	53011090021D	50
10	77.90	AK3011/10FD-7.5-PEBBLE GREY	53011100021D	50
11	85.40	AK3011/11FD-7.5-PEBBLE GREY	53011110021D	50
12	92.90	AK3011/12FD-7.5-PEBBLE GREY	53011120021D	50
13	100.40	AK3011/13FD-7.5-PEBBLE GREY	53011130021D	50
14	107.90	AK3011/14FD-7.5-PEBBLE GREY	53011140021D	50
15	115.40	AK3011/15FD-7.5-PEBBLE GREY	53011150021D	50
16	122.90	AK3011/16FD-7.5-PEBBLE GREY	53011160021D	50
17	130.40	AK3011/17FD-7.5-PEBBLE GREY	53011170021D	50
18	137.90	AK3011/18FD-7.5-PEBBLE GREY	53011180021D	50
19	145.40	AK3011/19FD-7.5-PEBBLE GREY	53011190021D	50
20	152.90	AK3011/20FD-7.5-PEBBLE GREY	53011200021D	50
21	160.40	AK3011/21FD-7.5-PEBBLE GREY	53011210021D	50
22	167.90	AK3011/22FD-7.5-PEBBLE GREY	53011220021D	50
23	175.40	AK3011/23FD-7.5-PEBBLE GREY	53011230021D	50
24	182.90	AK3011/24FD-7.5-PEBBLE GREY	53011240021D	50

Accessories

Figure	Designation	Article Number
	Bridge, 2-pole, insulated, BRI/2-7.5-7.62-L8.2-LIGHT GREY	50000000017

See pages 214/215 for details and general accessories, and see pages 8/9 concerning services.



Ratings

Usegroup	cULus		VDE		
	B	C	D		
Rated Voltage	300 V	-	300 V	750 V	
Rated Current	16 A	-	10 A	24 A	
Rated Wire Size				min max	
	solid	AWG 28-14	-	AWG 28-14	0.5 mm ² 2.5 mm ²
	stranded	AWG 28-14	-	AWG 28-14	0.5 mm ² 2.5 mm ²
Test Voltage	1.6 kV	-	1.6 kV	3.0 kV	

AK3000/..-10.0-PEBBLE GREY

1- to n-poles



Technical Data

Wire Size		Insulating Material	
Solid min	0.08 mm ²	Material	PA 6.6
Solid max	2.5 mm ²	Flammability Class	UL 94 V-0
Stranded (flexible) min		Temperatures	
Stranded (flexible) min	0.14 mm ²	Operating Temperature	-30 °C - 105 °C
Stranded with Ferrule min		Wave Soldering Process	
Stranded with Ferrule min	0.14 mm ²	Soldering Temperature, recommended	265 °C
Stranded with Ferrule max		Peak Soldering Time, recommended	3-4 s
Stranded with Ferrule max	1.5 mm ²	Reflow Process	
Dimensions		Soldering Temperature, recommended	-
Stripped Length	6.0 mm	Peak Soldering Time, recommended	-
PCB Hole Diameter	1.0 mm	Materials	
Materials		Solder Tag	Copper Alloy
Solder Tag	Copper Alloy	Tension Spring	Stainless Steel
Tension Spring	Stainless Steel		

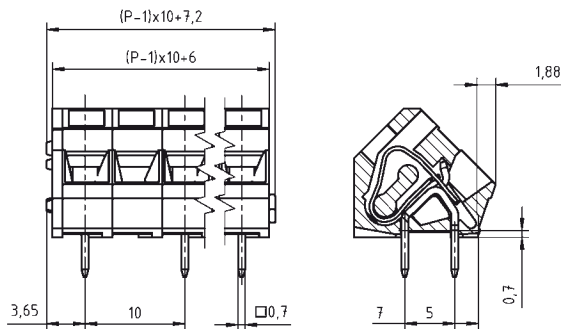
Colours

 PEBBLE GREY, RAL 7032	 ORANGE, RAL 2011
 BLUE, RAL 5015	 LIGHT GREEN, similar RAL 6018

Colours according to RAL, there may be variations on colour due to production conditions. Special colours on request.

Order Data (Spacing 10.0 mm)

Poles	Width (mm)	Article Designation	Article Number	PU
2	17.20	AK3000/2-10.0-PEBBLE GREY	53000020041E	100
3	27.20	AK3000/3-10.0-PEBBLE GREY	53000030041E	100
4	37.20	AK3000/4-10.0-PEBBLE GREY	53000040041E	100
5	47.20	AK3000/5-10.0-PEBBLE GREY	53000050041E	100
6	57.20	AK3000/6-10.0-PEBBLE GREY	53000060041D	50
7	67.20	AK3000/7-10.0-PEBBLE GREY	53000070041D	50
8	77.20	AK3000/8-10.0-PEBBLE GREY	53000080041D	50
9	87.20	AK3000/9-10.0-PEBBLE GREY	53000090041D	50
10	97.20	AK3000/10-10.0-PEBBLE GREY	53000100041D	50
11	107.20	AK3000/11-10.0-PEBBLE GREY	53000110041D	50
12	117.20	AK3000/12-10.0-PEBBLE GREY	53000120041D	50
13	127.20	AK3000/13-10.0-PEBBLE GREY	53000130041D	50
14	137.20	AK3000/14-10.0-PEBBLE GREY	53000140041D	50
15	147.20	AK3000/15-10.0-PEBBLE GREY	53000150041D	50
16	157.20	AK3000/16-10.0-PEBBLE GREY	53000160041D	50
17	167.20	AK3000/17-10.0-PEBBLE GREY	53000170041D	50
18	177.20	AK3000/18-10.0-PEBBLE GREY	53000180041D	50
19	187.20	AK3000/19-10.0-PEBBLE GREY	53000190041D	50
20	197.20	AK3000/20-10.0-PEBBLE GREY	53000200041D	50
21	207.20	AK3000/21-10.0-PEBBLE GREY	53000210041D	50
22	217.20	AK3000/22-10.0-PEBBLE GREY	53000220041D	50
23	227.20	AK3000/23-10.0-PEBBLE GREY	53000230041D	50
24	237.20	AK3000/24-10.0-PEBBLE GREY	53000240041D	50



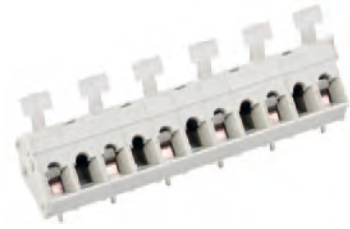
Ratings



Usegroup	B	C	D		
Rated Voltage	300 V	300 V	-	1000 V	
Rated Current	15 A	15 A	-	24 A	
Rated Wire Size				min	max
solid	AWG 28-14	AWG 28-14	-	0.5 mm ²	2.5 mm ²
stranded	AWG 28-14	AWG 28-14	-	0.5 mm ²	2.5 mm ²
Test Voltage	1.6 kV	1.6 kV	-	3.5 kV	

AK3001/..KD-10.0-PEBBLE GREY






1- to n-poles



Technical Data

Wire Size		Insulating Material	
Solid min	0.08 mm ²	Material	PA 6.6
Solid max	2.5 mm ²	Flammability Class	UL 94 V-0
Stranded (flexible) min	0.14 mm ²	Temperatures	
Stranded (flexible) max	2.5 mm ²	Operating Temperature	-30 °C - 105 °C
Stranded with Ferrule min	0.14 mm ²	Wave Soldering Process	
Stranded with Ferrule max	1.5 mm ²	Soldering Temperature, recommended	265 °C
Dimensions		Peak Soldering Time, recommended	3-4 s
Stripped Length	6.0 mm	Reflow Process	
PCB Hole Diameter	1.0 mm	Soldering Temperature, recommended	-
Materials		Peak Soldering Time, recommended	-
Solder Tag	Copper Alloy		
Tension Spring	Stainless Steel		

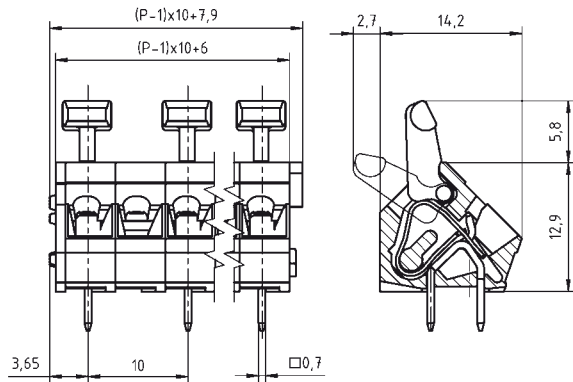
Colours

	PEBBLE GREY, RAL 7032		GREEN, RAL 6018
	ORANGE, RAL 2011		BLUE, RAL 5015
	LIGHT GREEN, similar RAL 6018		

Colours according to RAL, there may be variations on colour due to production conditions. Special colours on request.

Order Data (Spacing 10.0 mm)

Poles	Width (mm)	Article Designation	Article Number	PU
2	17.90	AK3001/2KD-10.0-PEBBLE GREY	53001020041E	100
3	27.90	AK3001/3KD-10.0-PEBBLE GREY	53001030041E	100
4	37.90	AK3001/4KD-10.0-PEBBLE GREY	53001040041E	100
5	47.90	AK3001/5KD-10.0-PEBBLE GREY	53001050041E	100
6	57.90	AK3001/6KD-10.0-PEBBLE GREY	53001060041D	50
7	67.90	AK3001/7KD-10.0-PEBBLE GREY	53001070041D	50
8	77.90	AK3001/8KD-10.0-PEBBLE GREY	53001080041D	50
9	87.90	AK3001/9KD-10.0-PEBBLE GREY	53001090041D	50
10	97.90	AK3001/10KD-10.0-PEBBLE GREY	53001100041D	50
11	107.90	AK3001/11KD-10.0-PEBBLE GREY	53001110041D	50
12	117.90	AK3001/12KD-10.0-PEBBLE GREY	53001120041D	50
13	127.90	AK3001/13KD-10.0-PEBBLE GREY	53001130041D	50
14	137.90	AK3001/14KD-10.0-PEBBLE GREY	53001140041D	50
15	147.90	AK3001/15KD-10.0-PEBBLE GREY	53001150041D	50
16	157.90	AK3001/16KD-10.0-PEBBLE GREY	53001160041D	50
17	167.90	AK3001/17KD-10.0-PEBBLE GREY	53001170041D	50
18	177.90	AK3001/18KD-10.0-PEBBLE GREY	53001180041D	50
19	187.90	AK3001/19KD-10.0-PEBBLE GREY	53001190041D	50
20	197.90	AK3001/20KD-10.0-PEBBLE GREY	53001200041D	50
21	207.90	AK3001/21KD-10.0-PEBBLE GREY	53001210041D	50
22	217.90	AK3001/22KD-10.0-PEBBLE GREY	53001220041D	50
23	227.90	AK3001/23KD-10.0-PEBBLE GREY	53001230041D	50
24	237.90	AK3001/24KD-10.0-PEBBLE GREY	53001240041D	50



Ratings

Usegroup	cULus			VDE	
	B	C	D	1000 V	
Rated Voltage	300 V	300 V	-	1000 V	
Rated Current	15 A	15 A	-	24 A	
Rated Wire Size				min	max
	solid	AWG 28-14	AWG 28-14	0.5 mm ²	2.5 mm ²
	stranded	AWG 28-14	AWG 28-14	0.5 mm ²	2.5 mm ²
Test Voltage	1.6 kV	1.6 kV	-	3.5 kV	

AK3001/..FD-10.0-PEBBLE GREY

1- to n-poles



Technical Data

Wire Size		Insulating Material	
Solid min	0.08 mm ²	Material	PA 6.6
Solid max	2.5 mm ²	Flammability Class	UL 94 V-0
Stranded (flexible) min	0.14 mm ²	Temperatures	
Stranded (flexible) max	2.5 mm ²	Operating Temperature	-30 °C - 105 °C
Stranded with Ferrule min	0.14 mm ²	Wave Soldering Process	
Stranded with Ferrule max	1.5 mm ²	Soldering Temperature, recommended	265 °C
Dimensions		Peak Soldering Time, recommended	3-4 s
Stripped Length	6.0 mm	Reflow Process	
PCB Hole Diameter	1.0 mm	Soldering Temperature, recommended	-
Materials		Peak Soldering Time, recommended	-
Solder Tag	Copper Alloy		
Tension Spring	Stainless Steel		

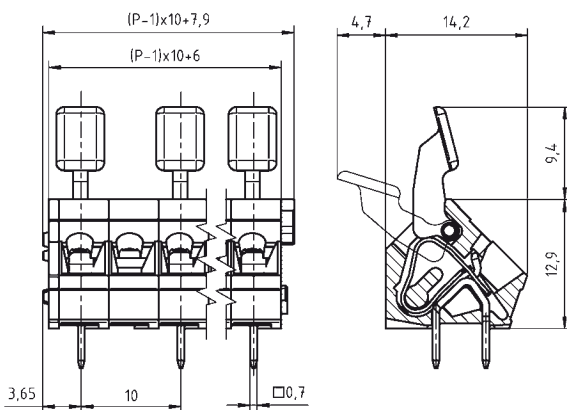
Colours

	PEBBLE GREY, RAL 7032		GREEN, RAL 6018
	ORANGE, RAL 2011		BLUE, RAL 5015

Colours according to RAL, there may be variations on colour due to production conditions. Special colours on request.

Order Data (Spacing 10.0 mm)

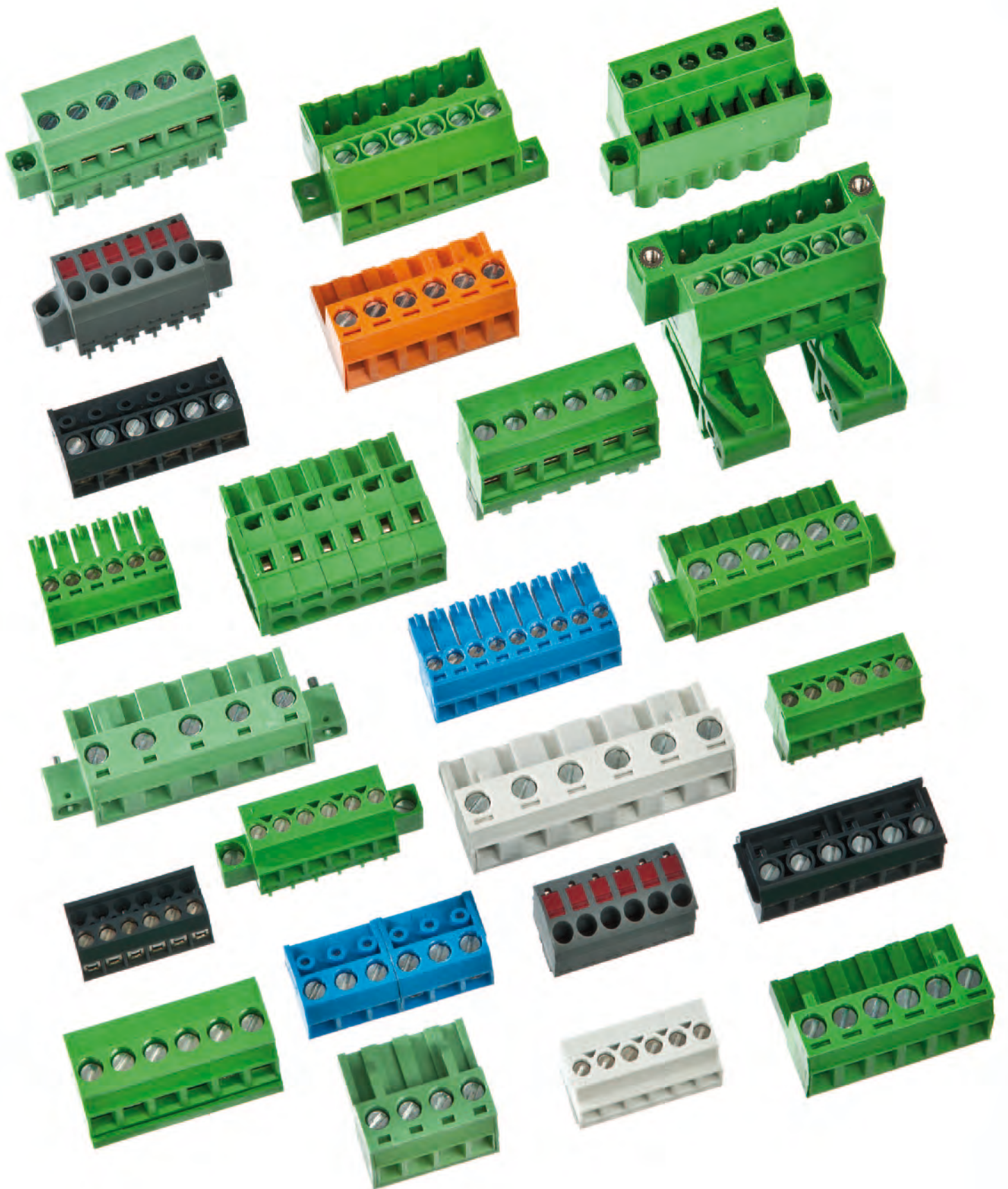
Poles	Width (mm)	Article Designation	Article Number	PU
2	17.90	AK3001/2FD-10.0-PEBBLE GREY	53001020061E	100
3	27.90	AK3001/3FD-10.0-PEBBLE GREY	53001030061E	100
4	37.90	AK3001/4FD-10.0-PEBBLE GREY	53001040061E	100
5	47.90	AK3001/5FD-10.0-PEBBLE GREY	53001050061E	100
6	57.90	AK3001/6FD-10.0-PEBBLE GREY	53001060061D	50
7	67.90	AK3001/7FD-10.0-PEBBLE GREY	53001070061D	50
8	77.90	AK3001/8FD-10.0-PEBBLE GREY	53001080061D	50
9	87.90	AK3001/9FD-10.0-PEBBLE GREY	53001090061D	50
10	97.90	AK3001/10FD-10.0-PEBBLE GREY	53001100061D	50
11	107.90	AK3001/11FD-10.0-PEBBLE GREY	53001110061D	50
12	117.90	AK3001/12FD-10.0-PEBBLE GREY	53001120061D	50
13	127.90	AK3001/13FD-10.0-PEBBLE GREY	53001130061D	50
14	137.90	AK3001/14FD-10.0-PEBBLE GREY	53001140061D	50
15	147.90	AK3001/15FD-10.0-PEBBLE GREY	53001150061D	50
16	157.90	AK3001/16FD-10.0-PEBBLE GREY	53001160061D	50
17	167.90	AK3001/17FD-10.0-PEBBLE GREY	53001170061D	50
18	177.90	AK3001/18FD-10.0-PEBBLE GREY	53001180061D	50
19	187.90	AK3001/19FD-10.0-PEBBLE GREY	53001190061D	50
20	197.90	AK3001/20FD-10.0-PEBBLE GREY	53001200061D	50
21	207.90	AK3001/21FD-10.0-PEBBLE GREY	53001210061D	50
22	217.90	AK3001/22FD-10.0-PEBBLE GREY	53001220061D	50
23	227.90	AK3001/23FD-10.0-PEBBLE GREY	53001230061D	50
24	237.90	AK3001/24FD-10.0-PEBBLE GREY	53001240061D	50



Ratings



Usegroup	B	C	D		
Rated Voltage	300 V	300 V	-	1000 V	
Rated Current	15 A	15 A	-	24 A	
Rated Wire Size				min	max
	solid	AWG 28-14	AWG 28-14	0.5 mm ²	2.5 mm ²
	stranded	AWG 28-14	AWG 28-14	0.5 mm ²	2.5 mm ²
Test Voltage	1.6 kV	1.6 kV	-	3.5 kV	



Multi Connector Systems

A multi-connector system consists of a pin strip which is fastened onto the PCB and the relevant terminal block (also known as a socket terminal strip or connector). The terminal blocks are divided into two groups: **a) screw terminal blocks**, and **b) spring terminal blocks**.

Three connection types are available for the **screw terminal blocks** – the **wire guard**, the **lift**, and the **excenter type**. Normally, screw terminal blocks for multi-connector systems are manufactured as a block design and are available using the different connection types with spacing from 3.5 mm to 15.24 mm, metric or inches, and in various colours.

The group of **spring terminal blocks** is divided into terminal blocks using the **push-in design** (leg spring technology) and the **tension spring design**. Terminal blocks which use the push-in design are manufactured in **blocks**, and the terminal blocks which use the tension spring design are manufactured in **layers**. Spring terminal blocks using both connection types are available with spacing from 3.5 mm to 5.08 mm, metric or inches. Many series in the multi-connector systems are available in different colours.

All multi-connector systems are multi-connectors without breaking capacity (COC), and when used as intended, must not be connected or disconnected when under load or live. Wiring has to be done when multi-connectors are unplugged. If there are combinations with different ratings, the lower value is valid.

AK1350/..DS-3.5-GREY



Technical Data

Wire Size		Insulating Material	
Solid min	0.08 mm ²	Material	PA 6.6
Solid max	1.5 mm ²	Flammability Class	UL 94 V-0
Stranded (flexible) min	0.08 mm ²	Temperatures	
Stranded (flexible) max	1.5 mm ²	Operating Temperature	-30 °C - 105 °C
Stranded with Ferrule min	0.14 mm ²	Wave Soldering Process	
Stranded with Ferrule max	0.5 mm ²	Soldering Temperature, recommended	-
Dimensions		Peak Soldering Time, recommended	-
Stripped Length	5.0 mm	Reflow Process	
Materials		Soldering Temperature, recommended	-
Clamp	Brass	Peak Soldering Time, recommended	-
Wire Guard	Stainless Steel		
Screw	Bronze		
Contact Spring	Bronze		

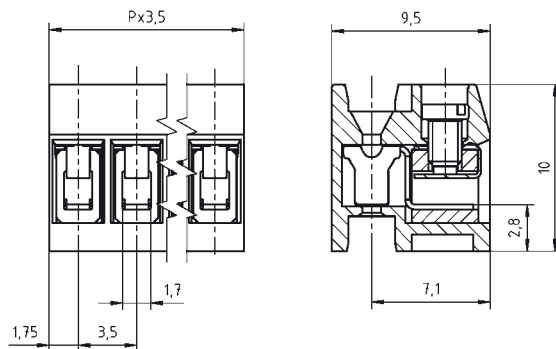
Colours

■ GREY, RAL 7016 ■ LIGHT GREEN, similar RAL 6018

Colours according to RAL, there may be variations on colour due to production conditions. Special colours on request.

Counterparts (Spacing 3.5 mm)

Pin Strip
STL1350



Order Data (Spacing 3.5 mm)

Poles	Width (mm)	Article Designation	Article Number	PU
2	7.00	AK1350/2DS-3.5-GREY	51350020001G	250
3	10.50	AK1350/3DS-3.5-GREY	51350030001G	250
4	14.00	AK1350/4DS-3.5-GREY	51350040001G	250
5	17.50	AK1350/5DS-3.5-GREY	51350050001G	250
6	21.00	AK1350/6DS-3.5-GREY	51350060001G	250
7	24.50	AK1350/7DS-3.5-GREY	51350070001G	250
8	28.00	AK1350/8DS-3.5-GREY	51350080001E	100
9	31.50	AK1350/9DS-3.5-GREY	51350090001E	100
10	35.00	AK1350/10DS-3.5-GREY	51350100001E	100
11	38.50	AK1350/11DS-3.5-GREY	51350110001E	100
12	42.00	AK1350/12DS-3.5-GREY	51350120001E	100

Accessories

Figure	Designation	Article Number
	Bridge, 2-pole, BR/2-3.5/3.81-L4.7	50000000013
	Bridge, 3-pole, BR/3-3.5/3.81-L4.7	50000000014
	Bridge, 2-pole, insulated, BR/2-7.0/7.62-L7.5-LIGHT GREY	50000000018
	Coding Cover, CC-AK1350-GREY	51350000000

See pages 214/215 for details and general accessories, and see pages 8/9 concerning services.

Ratings

Usegroup	cULus		VDE		
	B	C	D		
Rated Voltage	150 V	-	150 V	125 V	
Rated Current	9 A	-	9 A	8 A	
Overvoltage Category				III	
Rated Wire Size			min max		
	solid	AWG 28-16	-	AWG 28-16	0.2 mm ² (4 A) 1.5 mm ² (8 A)
	stranded	AWG 28-16	-	AWG 28-16	0.2 mm ² (4 A) 1.5 mm ² (8 A)
Torque	0.25 Nm		0.25 Nm		0.25 Nm
Screw Size	M2		M2		M2
Test Voltage	1.3 kV		1.3 kV		2.5 kV
Pollution Degree					3

AK1350/..DS-3.5-GREY-CP



Technical Data

Wire Size		Insulating Material	
Solid min	0.08 mm ²	Material	PA 6.6
Solid max	1.5 mm ²	Flammability Class	UL 94 V-0
Stranded (flexible) min		Temperatures	
Stranded (flexible) max	1.5 mm ²	Operating Temperature	-30 °C - 105 °C
Stranded with Ferrule min		Wave Soldering Process	
Stranded with Ferrule max	0.14 mm ²	Soldering Temperature, recommended	-
Stranded with Ferrule max		Peak Soldering Time, recommended	-
Dimensions		Reflow Process	
Stripped Length	5.0 mm	Soldering Temperature, recommended	-
Materials		Peak Soldering Time, recommended	-
Clamp	Brass		
Wire Guard	Stainless Steel		
Screw	Bronze		
Contact Spring	Bronze		

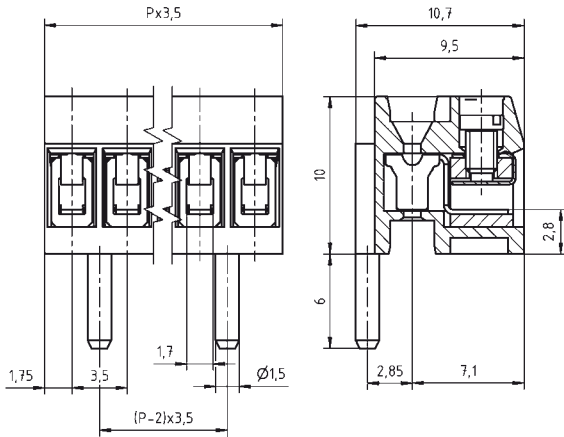
Colours

■ GREY, RAL 7016

Colours according to RAL, there may be variations on colour due to production conditions. Special colours on request.

Counterparts (Spacing 3.5 mm)




Pin Strip
STL1350



Order Data (Spacing 3.5 mm)

Poles	Width (mm)	Article Designation	Article Number	PU
2	7.00	AK1350/2DS-3.5-GREY-CP	51350020121G	250
3	10.50	AK1350/3DS-3.5-GREY-CP	51350030121G	250
4	14.00	AK1350/4DS-3.5-GREY-CP	51350040121G	250
5	17.50	AK1350/5DS-3.5-GREY-CP	51350050121G	250
6	21.00	AK1350/6DS-3.5-GREY-CP	51350060121G	250
7	24.50	AK1350/7DS-3.5-GREY-CP	51350070121G	250
8	28.00	AK1350/8DS-3.5-GREY-CP	51350080121E	100
9	31.50	AK1350/9DS-3.5-GREY-CP	51350090121E	100
10	35.00	AK1350/10DS-3.5-GREY-CP	51350100121E	100
11	38.50	AK1350/11DS-3.5-GREY-CP	51350110121E	100
12	42.00	AK1350/12DS-3.5-GREY-CP	51350120121E	100

Accessories

Figure	Designation	Article Number
	Bridge, 2-pole, BR/2-3.5/3.81-L4.7	50000000013
	Bridge, 3-pole, BR/3-3.5/3.81-L4.7	50000000014
	Bridge, 2-pole, insulated, BR/2-7.0/7.62-L7.5-LIGHT GREY	50000000018

See pages 214/215 for details and general accessories, and see pages 8/9 concerning services.

Ratings



Usegroup	B	C	D		
Rated Voltage	150 V	-	150 V	125 V	
Rated Current	9 A	-	9 A	8 A	
Overvoltage Category				III	
Rated Wire Size				min	max
solid	AWG 28-16	-	AWG 28-16	0.2 mm ² (4 A)	1.5 mm ² (8 A)
stranded	AWG 28-16	-	AWG 28-16	0.2 mm ² (4 A)	1.5 mm ² (8 A)
Torque	0.25 Nm		0.25 Nm	0.25 Nm	
Screw Size	M2		M2	M2	
Test Voltage	1.3 kV		1.3 kV	2.5 kV	
Pollution Degree	3				

AK130/..-5.0-GREY



Technical Data

Wire Size		Insulating Material	
Solid min	0.14 mm ²	Material	PA 6.6
Solid max	2.5 mm ²	Flammability Class	UL 94 V-0
Stranded (flexible) min	0.14 mm ²	Temperatures	
Stranded (flexible) max	1.5 mm ²	Operating Temperature	-30 °C - 105 °C
Stranded with Ferrule min	0.14 mm ²	Wave Soldering Process	
Stranded with Ferrule max	1.5 mm ²	Soldering Temperature, recommended	-
Dimensions		Peak Soldering Time, recommended	-
Stripped Length	6.0 mm	Reflow Process	
Materials		Soldering Temperature, recommended	-
Clamp	Brass	Peak Soldering Time, recommended	-
Screw	Steel		
Contact Spring	Copper Alloy		

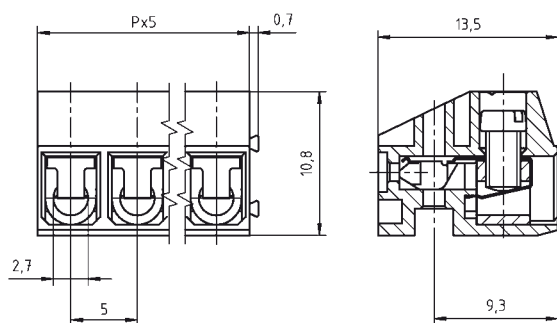
Colours

	GREY, RAL 7016		GREEN, RAL 6018
	BLUE, RAL 5015		LIGHT GREEN, similar RAL 6018

Colours according to RAL, there may be variations on colour due to production conditions. Special colours on request.

Counterparts (Spacing 5.0 mm)

Pin Strip		
STL130	STL140	STL132



Order Data (Spacing 5.0 mm)

Poles	Width (mm)	Article Designation	Article Number	PU
2	10.70	AK130/2-5.0-GREY	50130020001G	250
3	15.70	AK130/3-5.0-GREY	50130030001G	250
4	20.70	AK130/4-5.0-GREY	50130040001G	250
5	25.70	AK130/5-5.0-GREY	50130050001G	250
6	30.70	AK130/6-5.0-GREY	50130060001G	250
7	35.70	AK130/7-5.0-GREY	50130070001G	250
8	40.70	AK130/8-5.0-GREY	50130080001E	100
9	45.70	AK130/9-5.0-GREY	50130090001E	100
10	50.70	AK130/10-5.0-GREY	50130100001E	100
11	55.70	AK130/11-5.0-GREY	50130110001E	100
12	60.70	AK130/12-5.0-GREY	50130120001E	100

Accessories

Figure	Designation	Article Number
	Bridge, 2-pole, insulated, BRI/2-5.0/5.08-LIGHT GREY	50000000006
	Bridge, 3-pole, insulated, BRI/3-5.0/5.08-LIGHT GREY	50000000007
	Bridge, 2-pole, BR/2-5.0/5.08-L7.0	50000000008

See pages 214/215 for details and general accessories, and see pages 8/9 concerning services.

Ratings

Usegroup	UL US			VDE	
	B	C	D	III	
Rated Voltage	300 V	150 V	300 V	250 V	
Rated Current	8 A	8 A	8 A	7 A	
Overvoltage Category				III	
Rated Wire Size				min	max
	solid	AWG 22-12	AWG 22-12	AWG 22-12	0.5 mm ² (5 A) 2.5 mm ² (7 A)
	stranded	AWG 22-14	AWG 22-14	AWG 22-14	0.5 mm ² (5 A) 1.5 mm ² (7 A)
Torque	0.45 Nm	0.45 Nm	0.45 Nm	0.40 Nm	
Screw Size	M2.6	M2.6	M2.6	M2.6	
Test Voltage	1.6 kV	1.6 kV	1.6 kV	4.0 kV	
Pollution Degree				3	

AK130/..-5.0-GREY-BL AKZ130/..-5.08-GREY-BL



Technical Data

Wire Size		Insulating Material	
Solid min	0.14 mm ²	Material	PA 6.6
Solid max	2.5 mm ²	Flammability Class	UL 94 V-0
Stranded (flexible) min		Temperatures	
Stranded (flexible) min	0.14 mm ²	Operating Temperature	-30 °C - 105 °C
Stranded with Ferrule min		Wave Soldering Process	
Stranded with Ferrule min	0.14 mm ²	Soldering Temperature, recommended	-
Stranded with Ferrule max		Peak Soldering Time, recommended	-
Stranded with Ferrule max	1.5 mm ²	Reflow Process	
Dimensions		Soldering Temperature, recommended	-
Stripped Length	6.0 mm	Peak Soldering Time, recommended	-
Materials			
Clamp	Brass		
Screw	Steel		
Contact Spring	Copper Alloy		

Colours

■ GREY, RAL 7016

Colours according to RAL, there may be variations on colour due to production conditions. Special colours on request.

Counterparts (Spacing 5.0 mm)

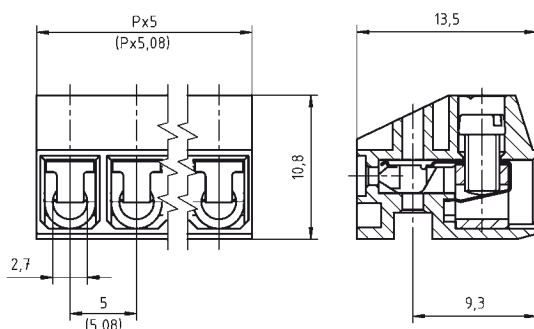
Pin Strip

STL130 STL140 STL132

Counterparts (Spacing 5.08 mm)

Pin Strip

STLZ130 STLZ140



Order Data (Spacing 5.0 mm)

Poles	Width (mm)	Article Designation	Article Number	PU
2	10.00	AK130/2-5.0-GREY-BL	50130022001G	250
3	15.00	AK130/3-5.0-GREY-BL	50130032001G	250
4	20.00	AK130/4-5.0-GREY-BL	50130042001G	250
5	25.00	AK130/5-5.0-GREY-BL	50130052001G	250
6	30.00	AK130/6-5.0-GREY-BL	50130062001G	250
7	35.00	AK130/7-5.0-GREY-BL	50130072001G	250
8	40.00	AK130/8-5.0-GREY-BL	50130082001E	100
9	45.00	AK130/9-5.0-GREY-BL	50130092001E	100
...
16	80.00	AK130/16-5.0-GREY-BL	50130162001D	50

Order Data (Spacing 5.08 mm)

Poles	Width (mm)	Article Designation	Article Number	PU
2	10.16	AKZ130/2-5.08-GREY-BL	50130022051G	250
3	15.24	AKZ130/3-5.08-GREY-BL	50130032051G	250
4	20.32	AKZ130/4-5.08-GREY-BL	50130042051G	250
5	25.40	AKZ130/5-5.08-GREY-BL	50130052051G	250
6	30.48	AKZ130/6-5.08-GREY-BL	50130062051G	250
7	35.56	AKZ130/7-5.08-GREY-BL	50130072051G	250
8	40.64	AKZ130/8-5.08-GREY-BL	50130082051E	100
9	45.72	AKZ130/9-5.08-GREY-BL	50130092051E	100
...
16	81.28	AKZ130/16-5.08-GREY-BL	50130162051D	50

Accessories

Figure	Designation	Article Number
	Bridge, 2-pole, insulated, BR/2-5.0/5.08-LIGHT GREY	50000000006
	Bridge, 3-pole, insulated, BR/3-5.0/5.08-LIGHT GREY	50000000007
	Bridge, 2-pole, BR/2-5.0/5.08-L7.0	50000000008

See pages 214/215 for details and general accessories, and see pages 8/9 concerning services.

Ratings

Usegroup	cULus			VDE	
	B	C	D	III	
Rated Voltage	300 V	150 V	300 V	250 V	
Rated Current	8 A	8 A	8 A	7 A	
Overvoltage Category				III	
Rated Wire Size			min		max
	solid	AWG 22-12	AWG 22-12	AWG 22-12	0.5 mm ² (5 A) 2.5 mm ² (7 A)
	stranded	AWG 22-14	AWG 22-14	AWG 22-14	0.5 mm ² (5 A) 1.5 mm ² (7 A)
Torque	0.45 Nm	0.45 Nm	0.45 Nm	0.40 Nm	
Screw Size	M2.6	M2.6	M2.6	M2.6	
Test Voltage	1.6 kV	1.6 kV	1.6 kV	4.0 kV	
Pollution Degree				3	

AK133/..DSLГ-5.0-GREY



Technical Data

Wire Size		Insulating Material	
Solid min	0.14 mm ²	Material	PA 6.6
Solid max	2.5 mm ²	Flammability Class	UL 94 V-0
Stranded (flexible) min	0.14 mm ²	Temperatures	
Stranded (flexible) max	1.5 mm ²	Operating Temperature	-30 °C - 105 °C
Stranded with Ferrule min	0.14 mm ²	Wave Soldering Process	
Stranded with Ferrule max	1.5 mm ²	Soldering Temperature, recommended	-
Dimensions		Peak Soldering Time, recommended	-
Stripped Length	6.0 mm	Reflow Process	
Materials		Soldering Temperature, recommended	-
Clamp	Brass	Peak Soldering Time, recommended	-
Screw	Steel		
Contact Spring	Copper Alloy		

Colours

■ GREY, RAL 7016

Colours according to RAL, there may be variations on colour due to production conditions. Special colours on request.




Counterparts (Spacing 5.0 mm)

Pin Strip
STL133

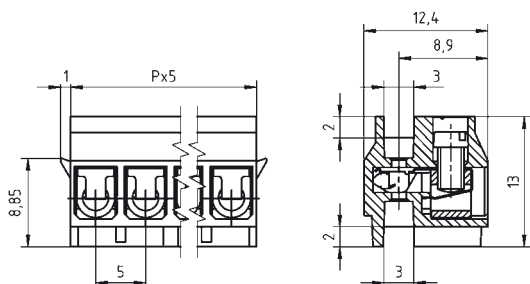
Order Data (Spacing 5.0 mm)

Poles	Width (mm)	Article Designation	Article Number	PU
2	12.00	AK133/2DSLГ-5.0-GREY	50133020001G	250
3	17.00	AK133/3DSLГ-5.0-GREY	50133030001G	250
4	22.00	AK133/4DSLГ-5.0-GREY	50133040001G	250
5	27.00	AK133/5DSLГ-5.0-GREY	50133050001G	250
6	32.00	AK133/6DSLГ-5.0-GREY	50133060001G	250
7	37.00	AK133/7DSLГ-5.0-GREY	50133070001G	250
8	42.00	AK133/8DSLГ-5.0-GREY	50133080001E	100
9	47.00	AK133/9DSLГ-5.0-GREY	50133090001E	100
10	52.00	AK133/10DSLГ-5.0-GREY	50133100001E	100
11	57.00	AK133/11DSLГ-5.0-GREY	50133110001E	100
12	62.00	AK133/12DSLГ-5.0-GREY	50133120001E	100

Accessories

Figure	Designation	Article Number
	Bridge, 2-pole, insulated, BR/2-5.0/5.08-LIGHT GREY	50000000006
	Bridge, 3-pole, insulated, BR/3-5.0/5.08-LIGHT GREY	50000000007
	Bridge, 2-pole, BR/2-5.0/5.08-L7.0	50000000008

See pages 214/215 for details and general accessories, and see pages 8/9 concerning services.



Ratings



Usegroup	B	C	D	III	
Rated Voltage	300 V	-	300 V	250 V	
Rated Current	8 A	-	8 A	7 A	
Overvoltage Category				III	
Rated Wire Size			min		max
	solid	AWG 22-12	-	AWG 22-12	0.5 mm ² (5 A) 2.5 mm ² (10 A)
	stranded	AWG 22-14	-	AWG 22-14	0.5 mm ² (5 A) 1.5 mm ² (10 A)
Torque	0.45 Nm	-	0.45 Nm	0.40 Nm	
Screw Size	M2.6	-	M2.6	M2.6	
Test Voltage	1.6 kV	-	1.6 kV	4.0 kV	
Pollution Degree				3	

* Approval Pending

AK130/..-10.0-GREY



Technical Data

Wire Size		Insulating Material	
Solid min	0.14 mm ²	Material	PA 6.6
Solid max	2.5 mm ²	Flammability Class	UL 94 V-0
Stranded (flexible) min	0.14 mm ²	Temperatures	
Stranded (flexible) max	1.5 mm ²	Operating Temperature	-30 °C - 105 °C
Stranded with Ferrule min	0.14 mm ²	Wave Soldering Process	
Stranded with Ferrule max	1.5 mm ²	Soldering Temperature, recommended	-
Dimensions		Peak Soldering Time, recommended	-
Stripped Length	6.0 mm	Reflow Process	
Materials		Soldering Temperature, recommended	-
Clamp	Brass	Peak Soldering Time, recommended	-
Screw	Steel		
Contact Spring	Copper Alloy		

Colours

	GREY, RAL 7016		GREEN, RAL 6018
	BLUE, RAL 5015		LIGHT GREEN, similar RAL 6018

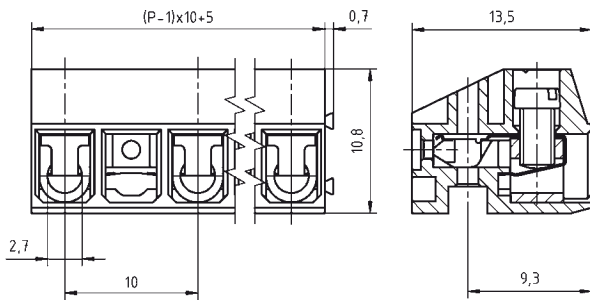
Colours according to RAL, there may be variations on colour due to production conditions. Special colours on request.

Counterparts (Spacing 10.0 mm)

Pin Strip			
STL130	STL140	STL132	

Order Data (Spacing 10.0 mm)

Poles	Width (mm)	Article Designation	Article Number	PU
2	15.70	AK130/2-10.0-GREY	50130020021G	250
3	25.70	AK130/3-10.0-GREY	50130030021G	250
4	35.70	AK130/4-10.0-GREY	50130040021G	250
5	45.70	AK130/5-10.0-GREY	50130050021E	100
6	55.70	AK130/6-10.0-GREY	50130060021E	100



Ratings

Usegroup	cULus			VDE	
	B	C	D	III	
Rated Voltage	300 V	150 V	300 V	630 V	
Rated Current	8 A	8 A	8 A	7 A	
Overvoltage Category				III	
Rated Wire Size				min	max
	solid	AWG 22-12	AWG 22-12	AWG 22-12	0.5 mm ² (5 A) / 2.5 mm ² (7 A)
	stranded	AWG 22-14	AWG 22-14	AWG 22-14	0.5 mm ² (5 A) / 1.5 mm ² (7 A)
Torque	0.45 Nm	0.45 Nm	0.45 Nm	0.40 Nm	
Screw Size	M2.6	M2.6	M2.6	M2.6	
Test Voltage	1.6 kV	1.6 kV	1.6 kV	6.0 kV	
Pollution Degree				3	

AK130/..-10.0-GREY-BL AKZ130/..-10.16-GREY-BL



Technical Data

Wire Size		Insulating Material	
Solid min	0.14 mm ²	Material	PA 6.6
Solid max	2.5 mm ²	Flammability Class	UL 94 V-0
Stranded (flexible) min	0.14 mm ²	Temperatures	
Stranded (flexible) max	1.5 mm ²	Operating Temperature	-30 °C - 105 °C
Stranded with Ferrule min	0.14 mm ²	Wave Soldering Process	
Stranded with Ferrule max	1.5 mm ²	Soldering Temperature, recommended	-
Dimensions		Peak Soldering Time, recommended	-
Stripped Length	6.0 mm	Reflow Process	
Materials		Soldering Temperature, recommended	-
Clamp	Brass	Peak Soldering Time, recommended	-
Screw	Steel		
Contact Spring	Copper Alloy		

Colours

■ GREY, RAL 7016

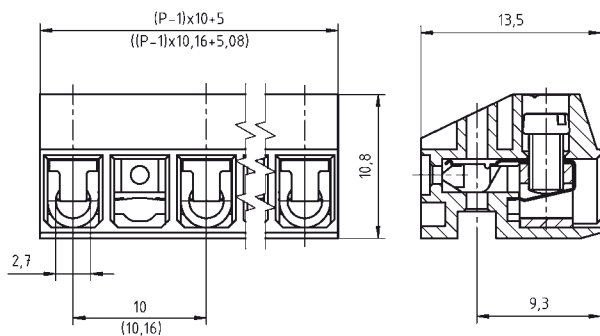
Colours according to RAL, there may be variations on colour due to production conditions. Special colours on request.

Counterparts (Spacing 10.0 mm)

Pin Strip		
STL130	STL140	STL132

Counterparts (Spacing 10.16 mm)

Pin Strip	
STLZ130	STLZ140



Order Data (Spacing 10.0 mm)

Poles	Width (mm)	Article Designation	Article Number	PU
2	15.00	AK130/2-10.0-GREY-BL	50130022021G	250
3	25.00	AK130/3-10.0-GREY-BL	50130032021G	250
4	35.00	AK130/4-10.0-GREY-BL	50130042021G	250
5	45.00	AK130/5-10.0-GREY-BL	50130052021E	100
6	55.00	AK130/6-10.0-GREY-BL	50130062021E	100

Order Data (Spacing 10.16 mm)

Poles	Width (mm)	Article Designation	Article Number	PU
2	15.24	AKZ130/2-10.16-GREY-BL	5013022071G	250
3	25.40	AKZ130/3-10.16-GREY-BL	5013032071G	250
4	35.56	AKZ130/4-10.16-GREY-BL	5013042071G	250
5	45.72	AKZ130/5-10.16-GREY-BL	5013052071E	100
6	55.88	AKZ130/6-10.16-GREY-BL	5013062071E	100

Ratings

Usegroup	cULus			VDE	
	B	C	D	III	
Rated Voltage	300 V	150 V	300 V	630 V	
Rated Current	8 A	8 A	8 A	7 A	
Overvoltage Category				III	
Rated Wire Size				min	max
	solid	AWG 22-12	AWG 22-12	AWG 22-12	0.5 mm ² (5 A) / 2.5 mm ² (7 A)
	stranded	AWG 22-14	AWG 22-14	AWG 22-14	0.5 mm ² (5 A) / 1.5 mm ² (7 A)
Torque		0.45 Nm	0.45 Nm	0.45 Nm	0.40 Nm
Screw Size		M2.6	M2.6	M2.6	M2.6
Test Voltage		1.6 kV	1.6 kV	1.6 kV	6.0 kV
Pollution Degree				3	

AK1550/..-3.5-GREEN AKZ1550/..-3.81-GREEN



Technical Data

Wire Size		Insulating Material	
Solid min	0.14 mm ²	Material	PA 6.6
Solid max	1.5 mm ²	Flammability Class	UL 94 V-0
Stranded (flexible) min		Temperatures	
Stranded (flexible) max	0.14 mm ²	Operating Temperature	-30 °C - 105 °C
Stranded with Ferrule min	1.5 mm ²	Wave Soldering Process	
Stranded with Ferrule max	0.25 mm ²	Soldering Temperature, recommended	-
Stranded with Ferrule max		Peak Soldering Time, recommended	-
Dimensions		Reflow Process	
Stripped Length	7.0 mm	Soldering Temperature, recommended	-
Materials		Peak Soldering Time, recommended	-
Clamp	Brass		
Screw	Bronze		
Contact Spring	Bronze		

Colours

	GREEN, RAL 6018		BLACK, RAL 9011
	BLUE, RAL 5015		LIGHT GREEN, similar RAL 6018

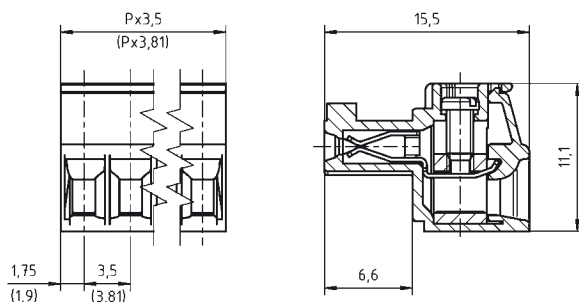
Colours according to RAL, there may be variations on colour due to production conditions. Special colours on request.

Counterparts (Spacing 3.5 mm)

Pin Strip
STL1550

Counterparts (Spacing 3.81 mm)

Pin Strip
STLZ1550 STLZ1590 STLZ1570



Order Data (Spacing 3.5 mm)

Poles	Width (mm)	Article Designation	Article Number	PU
2	7.00	AK1550/2-3.5-GREEN	51550020001F	200
3	10.50	AK1550/3-3.5-GREEN	51550030001F	200
4	14.00	AK1550/4-3.5-GREEN	51550040001F	200
5	17.50	AK1550/5-3.5-GREEN	51550050001F	200
6	21.00	AK1550/6-3.5-GREEN	51550060001E	100
7	24.50	AK1550/7-3.5-GREEN	51550070001E	100
8	28.00	AK1550/8-3.5-GREEN	51550080001D	50
9	31.50	AK1550/9-3.5-GREEN	51550090001D	50
...
20	70.00	AK1550/20-3.5-GREEN	51550200001D	50

Order Data (Spacing 3.81 mm)

Poles	Width (mm)	Article Designation	Article Number	PU
2	7.62	AKZ1550/2-3.81-GREEN	51550020025F	200
3	11.43	AKZ1550/3-3.81-GREEN	51550030025F	200
4	15.24	AKZ1550/4-3.81-GREEN	51550040025F	200
5	19.05	AKZ1550/5-3.81-GREEN	51550050025F	200
6	22.86	AKZ1550/6-3.81-GREEN	51550060025E	100
7	26.67	AKZ1550/7-3.81-GREEN	51550070025E	100
8	30.48	AKZ1550/8-3.81-GREEN	51550080025D	50
9	34.29	AKZ1550/9-3.81-GREEN	51550090025D	50
...
20	76.20	AKZ1550/20-3.81-GREEN	51550200025D	50

Accessories

Figure	Designation	Article Number
	Bridge, 2-pole, insulated, BRV2-7.0/7.62-L7.5-LIGHT GREY	50000000018
	Bridge, 2-pole, BRZ-3.5/3.81-L7.5	50000000015
	Bridge, 3-pole, BR3-3.5/3.81-L7.5	50000000016
	Series AK(Z)1550 with pull reliefs	on request

See pages 214/215 for details and general accessories, and see pages 8/9 concerning services.

Ratings

Usegroup	c			
	B	C	D	
Rated Voltage	300 V	-	300 V	160 V
Rated Current	8 A	-	8 A	9 A
Overvoltage Category				III
Rated Wire Size			min	max
	solid	AWG 28-16	-	AWG 28-16 0.5 mm ² (6 A) 1.5 mm ² (9 A)
	stranded	AWG 28-16	-	AWG 28-16 0.5 mm ² (6 A) 1.5 mm ² (9 A)
Torque	0.25 Nm		0.25 Nm 0.25 Nm	
Screw Size	M2		M2 M2	
Test Voltage	1.6 kV		1.6 kV 2.5 kV	
Pollution Degree	3			

AK1550/..F-3.5-GREEN AKZ1550/..F-3.81-GREEN



Technical Data

Wire Size		Insulating Material	
Solid min	0.14 mm ²	Material	PA 6.6
Solid max	1.5 mm ²	Flammability Class	UL 94 V-0
Stranded (flexible) min	0.14 mm ²	Temperatures	
Stranded (flexible) max	1.5 mm ²	Operating Temperature	-30 °C - 105 °C
Stranded with Ferrule min	0.25 mm ²	Wave Soldering Process	
Stranded with Ferrule max	1.0 mm ²	Soldering Temperature, recommended	-
Dimensions		Peak Soldering Time, recommended	-
Stripped Length	7.0 mm	Reflow Process	
Materials		Soldering Temperature, recommended	-
Clamp	Brass	Peak Soldering Time, recommended	-
Screw	Bronze		
Screw, Flange	Steel		
Contact Spring	Bronze		

Colours

- GREEN, RAL 6018
- BLACK, RAL 9011
- LIGHT GREEN, similar RAL 6018

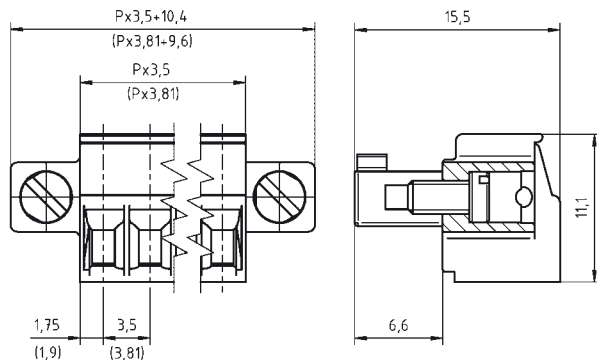
Colours according to RAL, there may be variations on colour due to production conditions. Special colours on request.

Counterparts (Spacing 3.5 mm)

Pin Strip	
STL1550	

Counterparts (Spacing 3.81 mm)

Pin Strip	
STLZ1550	STLZ1570







Order Data (Spacing 3.5 mm)

Poles	Width (mm)	Article Designation	Article Number	PU
2	17.40	AK1550/2F-3.5-GREEN	51550022001F	200
3	20.90	AK1550/3F-3.5-GREEN	51550032001F	200
4	24.40	AK1550/4F-3.5-GREEN	51550042001F	200
5	27.90	AK1550/5F-3.5-GREEN	51550052001F	200
6	31.40	AK1550/6F-3.5-GREEN	51550062001E	100
7	34.90	AK1550/7F-3.5-GREEN	51550072001D	50
8	38.40	AK1550/8F-3.5-GREEN	51550082001D	50
9	41.90	AK1550/9F-3.5-GREEN	51550092001D	50
...
20	80.40	AK1550/20F-3.5-GREEN	51550202001D	50

Order Data (Spacing 3.81 mm)

Poles	Width (mm)	Article Designation	Article Number	PU
2	17.22	AKZ1550/2F-3.81-GREEN	51550022025F	200
3	21.03	AKZ1550/3F-3.81-GREEN	51550032025F	200
4	24.84	AKZ1550/4F-3.81-GREEN	51550042025F	200
5	28.65	AKZ1550/5F-3.81-GREEN	51550052025F	200
6	32.46	AKZ1550/6F-3.81-GREEN	51550062025E	100
7	36.27	AKZ1550/7F-3.81-GREEN	51550072025D	50
8	40.08	AKZ1550/8F-3.81-GREEN	51550082025D	50
9	43.89	AKZ1550/9F-3.81-GREEN	51550092025D	50
...
20	85.80	AKZ1550/20F-3.81-GREEN	51550202025D	50

Accessories

Figure	Designation	Article Number
	Bridge, 2-pole, insulated, BR/2-7.0/7.62-L7.5-LIGHT GREY	50000000018
	Bridge, 2-pole, BR/2-3.5/3.81-L7.5	50000000015
	Bridge, 3-pole, BR/3-3.5/3.81-L7.5	50000000016
	Series AK(Z)1550 with pull reliefs	on request

See pages 214/215 for details and general accessories, and see pages 8/9 concerning services.

Ratings

Usegroup	cULus		VDE		
	B	C	D		
Rated Voltage	300 V	-	300 V	160 V	
Rated Current	8 A	-	8 A	9 A	
Overvoltage Category				III	
Rated Wire Size			min		max
	solid	AWG 28-16	-	AWG 28-16	0.5 mm ² (6 A) 1.5 mm ² (9 A)
	stranded	AWG 28-16	-	AWG 28-16	0.5 mm ² (6 A) 1.5 mm ² (9 A)
Torque	0.25 Nm		0.25 Nm		0.25 Nm
Screw Size	M2		M2		M2
Test Voltage	1.6 kV		1.6 kV		2.5 kV
Pollution Degree					3

AK1700/..-3.5-GREEN AKZ1700/..-3.81-GREEN



Technical Data

Wire Size		Insulating Material	
Solid min	0.14 mm ²	Material	PA 6.6
Solid max	1.5 mm ²	Flammability Class	UL 94 V-0
Stranded (flexible) min		Temperatures	
Stranded (flexible) max	0.14 mm ²	Operating Temperature	-30 °C - 105 °C
Stranded with Ferrule min		Wave Soldering Process	
Stranded with Ferrule max	0.25 mm ²	Soldering Temperature, recommended	-
Stranded with Ferrule max		Peak Soldering Time, recommended	-
Dimensions		Reflow Process	
Stripped Length	7.0 mm	Soldering Temperature, recommended	-
Materials		Peak Soldering Time, recommended	-
Clamp	Brass		
Screw	Bronze		
Contact Spring	Bronze		

Colours

- GREEN, RAL 6018
- LIGHT GREY, RAL 7035
- LIGHT GREEN, similar RAL 6018

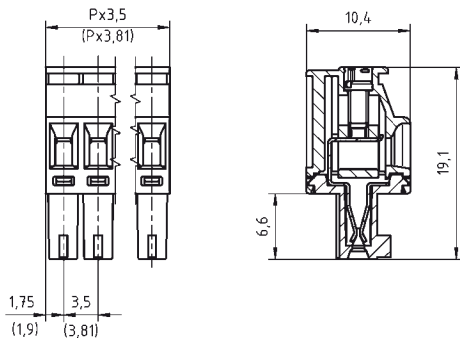
Colours according to RAL, there may be variations on colour due to production conditions. Special colours on request.

Counterparts (Spacing 3.5 mm)

Pin Strip	
STL1550	

Counterparts (Spacing 3.81 mm)

Pin Strip			
STLZ1550	STLZ1590	STLZ1570	







Order Data (Spacing 3.5 mm)

Poles	Width (mm)	Article Designation	Article Number	PU
2	7.00	AK1700/2-3.5-GREEN	51700020001 F	200
3	10.50	AK1700/3-3.5-GREEN	51700030001 F	200
4	14.00	AK1700/4-3.5-GREEN	51700040001 F	200
5	17.50	AK1700/5-3.5-GREEN	51700050001 F	200
6	21.00	AK1700/6-3.5-GREEN	51700060001 E	100
7	24.50	AK1700/7-3.5-GREEN	51700070001 E	100
8	28.00	AK1700/8-3.5-GREEN	51700080001 D	50
9	31.50	AK1700/9-3.5-GREEN	51700090001 D	50
...
20	70.00	AK1700/20-3.5-GREEN	51700200001 D	50

Order Data (Spacing 3.81 mm)

Poles	Width (mm)	Article Designation	Article Number	PU
2	7.62	AKZ1700/2-3.81-GREEN	51700020021F	200
3	11.43	AKZ1700/3-3.81-GREEN	51700030021F	200
4	15.24	AKZ1700/4-3.81-GREEN	51700040021F	200
5	19.05	AKZ1700/5-3.81-GREEN	51700050021F	200
6	22.86	AKZ1700/6-3.81-GREEN	51700060021E	100
7	26.67	AKZ1700/7-3.81-GREEN	51700070021E	100
8	30.48	AKZ1700/8-3.81-GREEN	51700080021D	50
9	34.29	AKZ1700/9-3.81-GREEN	51700090021D	50
...
20	76.20	AKZ1700/20-3.81-GREEN	51700200021D	50

Accessories

Figure	Designation	Article Number
	Bridge, 2-pole, insulated, BRV2-7.0/7.62-L7.5-LIGHT GREY	50000000018
	Bridge, 2-pole, BRV2-3.5/3.81-L7.5	50000000015
	Bridge, 3-pole, BRV3-3.5/3.81-L7.5	50000000016
	Series AK(Z)1700 with pull reliefs	on request

See pages 214/215 for details and general accessories, and see pages 8/9 concerning services.

Ratings

Usegroup	UL ¹		VDE ²	
	B	C	D	
Rated Voltage	300 V	-	300 V	160 V
Rated Current	8 A	-	8 A	9 A
Overvoltage Category				III
Rated Wire Size			min	max
	solid	AWG 28-16	-	AWG 28-16
	stranded	AWG 28-16	-	AWG 28-16
Torque	0.25 Nm		0.25 Nm	
Screw Size	M2		M2	
Test Voltage	1.6 kV		1.6 kV	
Pollution Degree	3			

* Approval Pending

AK1700/..F-3.5-GREEN AKZ1700/..F-3.81-GREEN



Technical Data

Wire Size		Insulating Material	
Solid min	0.14 mm ²	Material	PA 6.6
Solid max	1.5 mm ²	Flammability Class	UL 94 V-0
Stranded (flexible) min	0.14 mm ²	Temperatures	
Stranded (flexible) max	1.5 mm ²	Operating Temperature	-30 °C - 105 °C
Stranded with Ferrule min	0.25 mm ²	Wave Soldering Process	
Stranded with Ferrule max	1.0 mm ²	Soldering Temperature, recommended	-
Dimensions		Peak Soldering Time, recommended	-
Stripped Length	7.0 mm	Reflow Process	
Materials		Soldering Temperature, recommended	-
Clamp	Brass	Peak Soldering Time, recommended	-
Screw	Bronze		
Screw, Flange	Steel		
Contact Spring	Bronze		

Colours

- GREEN, RAL 6018
- LIGHT GREY, RAL 7035
- LIGHT GREEN, similar RAL 6018

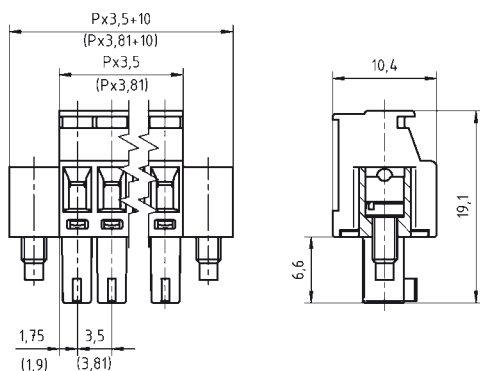
Colours according to RAL, there may be variations on colour due to production conditions. Special colours on request.

Counterparts (Spacing 3.5 mm)

Pin Strip	
STL1550	

Counterparts (Spacing 3.81 mm)

Pin Strip	
STLZ1550	STLZ1570







Order Data (Spacing 3.5 mm)

Poles	Width (mm)	Article Designation	Article Number	PU
2	17.00	AK1700/2F-3.5-GREEN	51700022001 F	200
3	20.50	AK1700/3F-3.5-GREEN	51700032001 F	200
4	24.00	AK1700/4F-3.5-GREEN	51700042001 F	200
5	27.50	AK1700/5F-3.5-GREEN	51700052001 E	100
6	31.00	AK1700/6F-3.5-GREEN	51700062001 E	100
7	34.50	AK1700/7F-3.5-GREEN	51700072001 D	50
8	38.00	AK1700/8F-3.5-GREEN	51700082001 D	50
9	41.50	AK1700/9F-3.5-GREEN	51700092001 D	50
...
20	80.00	AK1700/20F-3.5-GREEN	51700202001 D	50

Order Data (Spacing 3.81 mm)

Poles	Width (mm)	Article Designation	Article Number	PU
2	17.62	AKZ1700/2F-3.81-GREEN	51700022021F	200
3	21.43	AKZ1700/3F-3.81-GREEN	51700032021F	200
4	25.24	AKZ1700/4F-3.81-GREEN	51700042021F	200
5	29.05	AKZ1700/5F-3.81-GREEN	51700052021E	100
6	32.86	AKZ1700/6F-3.81-GREEN	51700062021E	100
7	36.67	AKZ1700/7F-3.81-GREEN	51700072021D	50
8	40.48	AKZ1700/8F-3.81-GREEN	51700082021D	50
9	44.29	AKZ1700/9F-3.81-GREEN	51700092021D	50
...
20	86.20	AKZ1700/20F-3.81-GREEN	51700202021D	50

Accessories

Figure	Designation	Article Number
	Bridge, 2-pole, insulated, BR/2-7.0/7.62-L7.5-LIGHT GREY	50000000018
	Bridge, 2-pole, BR/2-3.5/3.81-L7.5	50000000015
	Bridge, 3-pole, BR/3-3.5/3.81-L7.5	50000000016
	Series AK(Z)1700 with pull reliefs	on request

See pages 214/215 for details and general accessories, and see pages 8/9 concerning services.

Ratings

Usegroup	UL [®]		VDE [®]		
	B	C	D		
Rated Voltage	300 V	-	300 V	160 V	
Rated Current	8 A	-	8 A	9 A	
Overvoltage Category				III	
Rated Wire Size			min		max
	solid	AWG 28-16	-	AWG 28-16	0.5 mm ² (6 A) 1.5 mm ² (9 A)
	stranded	AWG 28-16	-	AWG 28-16	0.5 mm ² (6 A) 1.5 mm ² (9 A)
Torque	0.25 Nm		0.25 Nm		0.25 Nm
Screw Size	M2		M2		M2
Test Voltage	1.6 kV		1.6 kV		2.5 kV
Pollution Degree					3

* Approval Pending

AK1710/..-3.5-GREEN AKZ1710/..-3.81-GREEN



Technical Data

Wire Size		Insulating Material	
Solid min	0.14 mm ²	Material	PA 6.6
Solid max	1.5 mm ²	Flammability Class	UL 94 V-0
Stranded (flexible) min		Temperatures	
Stranded (flexible) max	0.14 mm ²	Operating Temperature	-30 °C - 105 °C
Stranded with Ferrule min		Wave Soldering Process	
Stranded with Ferrule max	0.25 mm ²	Soldering Temperature, recommended	-
Stranded with Ferrule max		Peak Soldering Time, recommended	-
Dimensions		Reflow Process	
Stripped Length	7.0 mm	Soldering Temperature, recommended	-
Materials		Peak Soldering Time, recommended	-
Clamp	Brass		
Screw	Bronze		
Contact Spring	Bronze		

Colours

- GREEN, RAL 6018
- LIGHT GREY, RAL 7035
- LIGHT GREEN, similar RAL 6018

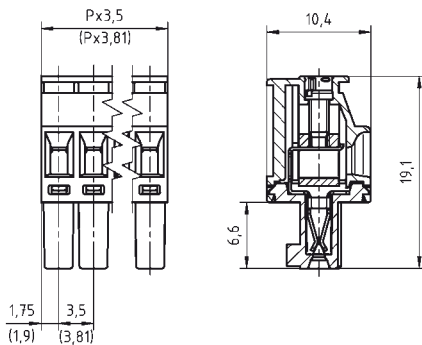
Colours according to RAL, there may be variations on colour due to production conditions. Special colours on request.

Counterparts (Spacing 3.5 mm)

Pin Strip
STL1550

Counterparts (Spacing 3.81 mm)

Pin Strip
STLZ1550 STLZ1590 STLZ1570







Order Data (Spacing 3.5 mm)

Poles	Width (mm)	Article Designation	Article Number	PU
2	7.00	AK1710/2-3.5-GREEN	51710020001 F	200
3	10.50	AK1710/3-3.5-GREEN	51710030001 F	200
4	14.00	AK1710/4-3.5-GREEN	51710040001 F	200
5	17.50	AK1710/5-3.5-GREEN	51710050001 F	200
6	21.00	AK1710/6-3.5-GREEN	51710060001 E	100
7	24.50	AK1710/7-3.5-GREEN	51710070001 E	100
8	28.00	AK1710/8-3.5-GREEN	51710080001 D	50
9	31.50	AK1710/9-3.5-GREEN	51710090001 D	50
...
20	70.00	AK1710/20-3.5-GREEN	51710200001 D	50

Order Data (Spacing 3.81 mm)

Poles	Width (mm)	Article Designation	Article Number	PU
2	7.62	AKZ1710/2-3.81-GREEN	51710020021F	200
3	11.43	AKZ1710/3-3.81-GREEN	51710030021F	200
4	15.24	AKZ1710/4-3.81-GREEN	51710040021F	200
5	19.05	AKZ1710/5-3.81-GREEN	51710050021F	200
6	22.86	AKZ1710/6-3.81-GREEN	51710060021E	100
7	26.67	AKZ1710/7-3.81-GREEN	51710070021E	100
8	30.48	AKZ1710/8-3.81-GREEN	51710080021D	50
9	34.29	AKZ1710/9-3.81-GREEN	51710090021D	50
...
20	76.20	AKZ1710/20-3.81-GREEN	51710200021D	50

Accessories

Figure	Designation	Article Number
	Bridge, 2-pole, insulated, BRV2-7.0/7.62-L7.5-LIGHT GREY	50000000018
	Bridge, 2-pole, BRV2-3.5/3.81-L7.5	50000000015
	Bridge, 3-pole, BRV3-3.5/3.81-L7.5	50000000016
	Series AK(Z)1710 with pull reliefs	on request

See pages 214/215 for details and general accessories, and see pages 8/9 concerning services.

Ratings

Usegroup	UL ¹		VDE ²	
	B	C	D	
Rated Voltage	300 V	-	300 V	160 V
Rated Current	8 A	-	8 A	9 A
Overvoltage Category				III
Rated Wire Size			min	max
	solid	AWG 28-16	-	AWG 28-16
	stranded	AWG 28-16	-	AWG 28-16
Torque	0.25 Nm		0.25 Nm	
Screw Size	M2		M2	
Test Voltage	1.6 kV		1.6 kV	
Pollution Degree			3	

* Approval Pending

AK1710/..F-3.5-GREEN AKZ1710/..F-3.81-GREEN



Technical Data

Wire Size		Insulating Material	
Solid min	0.14 mm ²	Material	PA 6.6
Solid max	1.5 mm ²	Flammability Class	UL 94 V-0
Stranded (flexible) min		Temperatures	
Stranded (flexible) max	0.14 mm ²	Operating Temperature	-30 °C - 105 °C
Stranded with Ferrule min		Wave Soldering Process	
Stranded with Ferrule max	0.25 mm ²	Soldering Temperature, recommended	-
Stranded with Ferrule max		Peak Soldering Time, recommended	-
Dimensions		Reflow Process	
Stripped Length	7.0 mm	Soldering Temperature, recommended	-
Materials		Peak Soldering Time, recommended	-
Clamp	Brass		
Screw	Bronze		
Screw, Flange	Steel		
Contact Spring	Bronze		

Colours

- GREEN, RAL 6018
- LIGHT GREY, RAL 7035
- LIGHT GREEN, similar RAL 6018

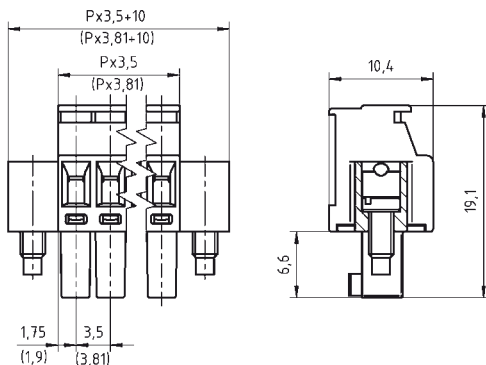
Colours according to RAL, there may be variations on colour due to production conditions. Special colours on request.

Counterparts (Spacing 3.5 mm)

Pin Strip	
STL1550	

Counterparts (Spacing 3.81 mm)

Pin Strip	
STL1550	STL1570







Order Data (Spacing 3.5 mm)

Poles	Width (mm)	Article Designation	Article Number	PU
2	17.00	AK1710/2F-3.5-GREEN	51710022001 F	200
3	20.50	AK1710/3F-3.5-GREEN	51710032001 F	200
4	24.00	AK1710/4F-3.5-GREEN	51710042001 F	200
5	27.50	AK1710/5F-3.5-GREEN	51710052001 E	100
6	31.00	AK1710/6F-3.5-GREEN	51710062001 E	100
7	34.50	AK1710/7F-3.5-GREEN	51710072001 D	50
8	38.00	AK1710/8F-3.5-GREEN	51710082001 D	50
9	41.50	AK1710/9F-3.5-GREEN	51710092001 D	50
...
20	80.00	AK1710/20F-3.5-GREEN	51710202001 D	50

Order Data (Spacing 3.81 mm)

Poles	Width (mm)	Article Designation	Article Number	PU
2	17.62	AKZ1710/2F-3.81-GREEN	51710022021F	200
3	21.43	AKZ1710/3F-3.81-GREEN	51710032021F	200
4	25.24	AKZ1710/4F-3.81-GREEN	51710042021F	200
5	29.05	AKZ1710/5F-3.81-GREEN	51710052021E	100
6	32.86	AKZ1710/6F-3.81-GREEN	51710062021E	100
7	36.67	AKZ1710/7F-3.81-GREEN	51710072021D	50
8	40.48	AKZ1710/8F-3.81-GREEN	51710082021D	50
9	44.29	AKZ1710/9F-3.81-GREEN	51710092021D	50
...
20	86.20	AKZ1710/20F-3.81-GREEN	51710202021D	50

Accessories

Figure	Designation	Article Number
	Bridge, 2-pole, insulated, BR/2-7.0/7.62-L7.5-LIGHT GREY	5000000018
	Bridge, 2-pole, BR/2-3.5/3.81-L7.5	5000000015
	Bridge, 3-pole, BR/3-3.5/3.81-L7.5	5000000016
	Series AK(Z)1710 with pull reliefs	on request

See pages 214/215 for details and general accessories, and see pages 8/9 concerning services.

Ratings

Usegroup	UL [®]		VDE [®]		
	B	C	D		
Rated Voltage	300 V	-	300 V	160 V	
Rated Current	8 A	-	8 A	9 A	
Overvoltage Category				III	
Rated Wire Size			min		max
	solid	AWG 28-16	-	AWG 28-16	0.5 mm ² (6 A) 1.5 mm ² (9 A)
	stranded	AWG 28-16	-	AWG 28-16	0.5 mm ² (6 A) 1.5 mm ² (9 A)
Torque	0.25 Nm		0.25 Nm		0.25 Nm
Screw Size	M2		M2		M2
Test Voltage	1.6 kV		1.6 kV		2.5 kV
Pollution Degree					3

* Approval Pending

AK950/..-5.0-GREEN AKZ950/..-5.08-GREEN



Technical Data

Wire Size		Insulating Material	
Solid min	0.2 mm ²	Material	PA 6.6
Solid max	4.0 mm ²	Flammability Class	UL 94 V-0
Stranded (flexible) min		Temperatures	
Stranded (flexible) max	0.2 mm ²	Operating Temperature	-30 °C - 105 °C
Stranded with Ferrule min	0.25 mm ²	Wave Soldering Process	
Stranded with Ferrule max	2.5 mm ²	Soldering Temperature, recommended	-
Dimensions		Peak Soldering Time, recommended	-
Stripped Length	6.0 mm	Reflow Process	
Materials		Soldering Temperature, recommended	-
Clamp	Brass	Peak Soldering Time, recommended	-
Screw	Steel		
Contact Spring	Bronze		

Colours

	GREEN, RAL 6018		BLACK, RAL 9011
	PEBBLE GREY, RAL 7032		LIGHT GREEN, similar RAL 6018

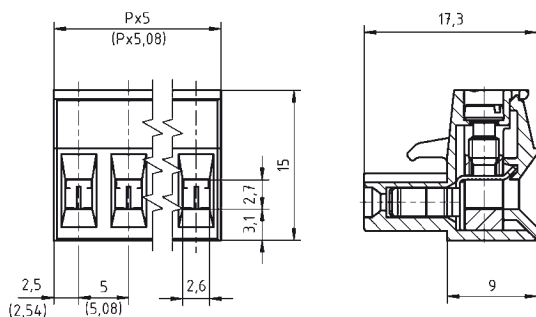
Colours according to RAL, there may be variations on colour due to production conditions. Special colours on request.

Counterparts (Spacing 5.0 mm)

Pin Strip		
STL950	STL975	STL955

Counterparts (Spacing 5.08 mm)

Terminal Block/ Pin Strip			
AKZ950-INV	STLZ950	STLZ970	STLZ990



Order Data (Spacing 5.0 mm)

Poles	Width (mm)	Article Designation	Article Number	PU
2	10.00	AK950/2-5.0-GREEN	50950020001F	200
3	15.00	AK950/3-5.0-GREEN	50950030001F	200
4	20.00	AK950/4-5.0-GREEN	50950040001F	200
5	25.00	AK950/5-5.0-GREEN	50950050001E	100
6	30.00	AK950/6-5.0-GREEN	50950060001E	100
7	35.00	AK950/7-5.0-GREEN	50950070001E	100
8	40.00	AK950/8-5.0-GREEN	50950080001D	50
9	45.00	AK950/9-5.0-GREEN	50950090001D	50
...
24	120.00	AK950/24-5.0-GREEN	50950240001D	50

Order Data (Spacing 5.08 mm)

Poles	Width (mm)	Article Designation	Article Number	PU
2	10.16	AKZ950/2-5.08-GREEN	50950020021F	200
3	15.24	AKZ950/3-5.08-GREEN	50950030021F	200
4	20.32	AKZ950/4-5.08-GREEN	50950040021F	200
5	25.40	AKZ950/5-5.08-GREEN	50950050021E	100
6	30.48	AKZ950/6-5.08-GREEN	50950060021E	100
7	35.56	AKZ950/7-5.08-GREEN	50950070021E	100
8	40.64	AKZ950/8-5.08-GREEN	50950080021D	50
9	45.72	AKZ950/9-5.08-GREEN	50950090021D	50
...
24	121.92	AKZ950/24-5.08-GREEN	50950240021D	50

Accessories

Figure	Designation	Article Number
	Bridge, 2-pole, insulated, BR/2-5.0/5.08-LIGHT GREY	50000000006
	Bridge, 3-pole, insulated, BR/3-5.0/5.08-LIGHT GREY	50000000007
	Bridge, 2-pole, BR/2-5.0/5.08-L7.0	50000000008
	Coding Star CS1-5.0/5.08-RED	50000000021
	Series AK(Z)950 with separating element	on request
	Series AK(Z)950 with pull reliefs	on request

See pages 214/215 for details and general accessories, and see pages 8/9 concerning services.

Ratings

Usegroup	cULus			VDE	
	B	C	D	III	
Rated Voltage	300 V	150 V	300 V	250 V	
Rated Current	15 A	15 A	10 A	12 A	
Overvoltage Category				III	
Rated Wire Size			min		max
	solid	AWG 22-12	AWG 22-12	AWG 22-12	0.5 mm ² (5 A) 2.5 mm ² (12 A)
	stranded	AWG 22-12	AWG 22-12	AWG 22-12	0.5 mm ² (5 A) 2.5 mm ² (12 A)
Torque	0.50 Nm	0.50 Nm	0.50 Nm	0.50 Nm	
Screw Size	M3	M3	M3	M3	
Test Voltage	1.6 kV	1.6 kV	1.6 kV	4.0 kV	
Pollution Degree				3	

AK950/..-5.0-GREEN-HC AKZ950/..-5.08-GREEN-HC



Technical Data

Wire Size		Insulating Material	
Solid min	0.2 mm ²	Material	PA 6.6
Solid max	4.0 mm ²	Flammability Class	UL 94 V-0
Stranded (flexible) min		Temperatures	
Stranded (flexible) max	0.2 mm ²	Operating Temperature	-30 °C - 105 °C
Stranded with Ferrule min	0.25 mm ²	Wave Soldering Process	
Stranded with Ferrule max	0.25 mm ²	Soldering Temperature, recommended	-
Dimensions		Peak Soldering Time, recommended	-
Stripped Length	6.0 mm	Reflow Process	
Materials		Soldering Temperature, recommended	-
Clamp	Brass	Peak Soldering Time, recommended	-
Screw	Steel		
Contact Spring	Copper Alloy		

Colours

	GREEN, RAL 6018		BLACK, RAL 9011
	PEBBLE GREY, RAL 7032		LIGHT GREEN, similar RAL 6018

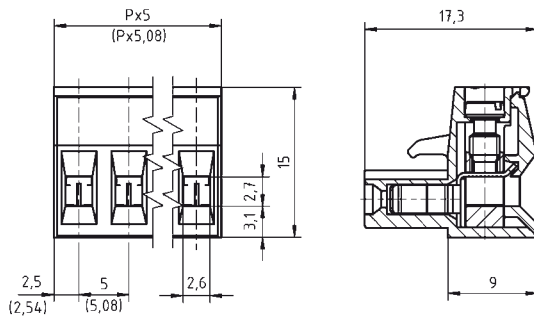
Colours according to RAL, there may be variations on colour due to production conditions. Special colours on request.

Counterparts (Spacing 5.0 mm)

Pin Strip	
STL950HC	

Counterparts (Spacing 5.08 mm)

Pin Strip	
STLZ950HC	



Order Data (Spacing 5.0 mm)

Poles	Width (mm)	Article Designation	Article Number	PU
2	10.00	AK950/2-5.0-GREEN-HC	50950020009F	200
3	15.00	AK950/3-5.0-GREEN-HC	50950030009F	200
4	20.00	AK950/4-5.0-GREEN-HC	50950040009F	200
5	25.00	AK950/5-5.0-GREEN-HC	50950050009E	100
6	30.00	AK950/6-5.0-GREEN-HC	50950060009E	100
7	35.00	AK950/7-5.0-GREEN-HC	50950070009E	100
8	40.00	AK950/8-5.0-GREEN-HC	50950080009D	50
9	45.00	AK950/9-5.0-GREEN-HC	50950090009D	50
...
12	60.00	AK950/12-5.0-GREEN-HC	50950120009D	50

Order Data (Spacing 5.08 mm)

Poles	Width (mm)	Article Designation	Article Number	PU
2	10.16	AKZ950/2-5.08-GREEN-HC	50950020029F	200
3	15.24	AKZ950/3-5.08-GREEN-HC	50950030029F	200
4	20.32	AKZ950/4-5.08-GREEN-HC	50950040029F	200
5	25.40	AKZ950/5-5.08-GREEN-HC	50950050029E	100
6	30.48	AKZ950/6-5.08-GREEN-HC	50950060029E	100
7	35.56	AKZ950/7-5.08-GREEN-HC	50950070029E	100
8	40.64	AKZ950/8-5.08-GREEN-HC	50950080029D	50
9	45.72	AKZ950/9-5.08-GREEN-HC	50950090029D	50
...
12	60.96	AKZ950/12-5.08-GREEN-HC	50950120029D	50

Accessories

Figure	Designation	Article Number
	Bridge, 2-pole, insulated, BR/2-5.0/5.08-LIGHT GREY	50000000006
	Bridge, 3-pole, insulated, BR/3-5.0/5.08-LIGHT GREY	50000000007
	Bridge, 2-pole, BR/2-5.0/5.08-L7.0	50000000008
	Coding Star CS1-5.0/5.08-RED	50000000021
	Series AK(Z)950 with separating element	on request
	Series AK(Z)950 with pull reliefs	on request

See pages 214/215 for details and general accessories, and see pages 8/9 concerning services.

Ratings

Usegroup	cULus			VDE	
	B	C	D	III	
Rated Voltage	300 V	150 V	300 V	250 V	
Rated Current	16 A	16 A	10 A	16 A	
Overvoltage Category				III	
Rated Wire Size			min		max
	solid	AWG 22-12	AWG 22-12	0.5 mm ² (5 A)	2.5 mm ² (16 A)
	stranded	AWG 22-12	AWG 22-12	0.5 mm ² (5 A)	2.5 mm ² (16 A)
Torque	0.50 Nm	0.50 Nm	0.50 Nm	0.50 Nm	
Screw Size	M3	M3	M3	M3	
Test Voltage	1.6 kV	1.6 kV	1.6 kV	4.0 kV	
Pollution Degree				3	

AK950/..F-5.0-GREEN AKZ950/..F-5.08-GREEN



Technical Data

Wire Size		Insulating Material	
Solid min	0.2 mm ²	Material	PA 6.6
Solid max	4.0 mm ²	Flammability Class	UL 94 V-0
Temperatures		Operating Temperature	
Stranded (flexible) min	0.2 mm ²	-30 °C - 105 °C	
Stranded (flexible) max	2.5 mm ²	Wave Soldering Process	
Stranded with Ferrule min	0.25 mm ²	Soldering Temperature, recommended	-
Stranded with Ferrule max	2.5 mm ²	Peak Soldering Time, recommended	-
Dimensions		Reflow Process	
Stripped Length	6.0 mm	Soldering Temperature, recommended	-
Materials		Peak Soldering Time, recommended	-
Clamp	Brass		
Screw	Steel		
Screw, Flange	Steel		
Contact Spring	Bronze		

Colours

- GREEN, RAL 6018
- LIGHT GREEN, similar RAL 6018

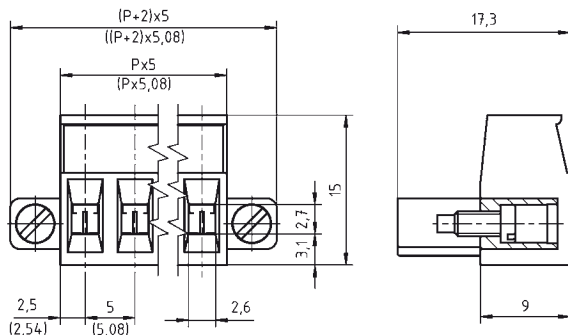
Colours according to RAL, there may be variations on colour due to production conditions. Special colours on request.

Counterparts (Spacing 5.0 mm)

Pin Strip	
STL950	

Counterparts (Spacing 5.08 mm)

Terminal Block/ Pin Strip		
AKZS950	STLZ970	STLZ950



Order Data (Spacing 5.0 mm)

Poles	Width (mm)	Article Designation	Article Number	PU
2	20.00	AK950/2F-5.0-GREEN	50950022001F	200
3	25.00	AK950/3F-5.0-GREEN	50950032001F	200
4	30.00	AK950/4F-5.0-GREEN	50950042001F	200
5	35.00	AK950/5F-5.0-GREEN	50950052001E	100
6	40.00	AK950/6F-5.0-GREEN	50950062001E	100
7	45.00	AK950/7F-5.0-GREEN	50950072001E	100
8	50.00	AK950/8F-5.0-GREEN	50950082001D	50
9	55.00	AK950/9F-5.0-GREEN	50950092001D	50
...
24	130.00	AK950/24F-5.0-GREEN	50950242001D	50

Order Data (Spacing 5.08 mm)

Poles	Width (mm)	Article Designation	Article Number	PU
2	20.32	AKZ950/2F-5.08-GREEN	50950022021F	200
3	25.40	AKZ950/3F-5.08-GREEN	50950032021F	200
4	30.48	AKZ950/4F-5.08-GREEN	50950042021F	200
5	35.56	AKZ950/5F-5.08-GREEN	50950052021E	100
6	40.64	AKZ950/6F-5.08-GREEN	50950062021E	100
7	45.72	AKZ950/7F-5.08-GREEN	50950072021E	100
8	50.80	AKZ950/8F-5.08-GREEN	50950082021D	50
9	55.88	AKZ950/9F-5.08-GREEN	50950092021D	50
...
24	132.08	AKZ950/24F-5.08-GREEN	50950242021D	50

Accessories

Figure	Designation	Article Number
	Bridge, 2-pole, insulated, BR/2-5.0/5.08-LIGHT GREY	50000000006
	Bridge, 3-pole, insulated, BR/3-5.0/5.08-LIGHT GREY	50000000007
	Bridge, 2-pole, BR/2-5.0/5.08-L7.0	50000000008
	Coding Star CS1-5.0/5.08-RED	50000000021
	Series AK(Z)950 with separating element	on request
	Series AK(Z)950 with pull reliefs	on request

See pages 214/215 for details and general accessories, and see pages 8/9 concerning services.

Ratings

Usegroup	UL US			VDE	
	B	C	D	III	
Rated Voltage	300 V	150 V	300 V	250 V	
Rated Current	15 A	15 A	10 A	12 A	
Overvoltage Category				III	
Rated Wire Size			min		max
	solid	AWG 22-12	AWG 22-12	AWG 22-12	0.5 mm ² (5 A) 2.5 mm ² (12 A)
	stranded	AWG 22-12	AWG 22-12	AWG 22-12	0.5 mm ² (5 A) 2.5 mm ² (12 A)
Torque	0.50 Nm		0.50 Nm	0.50 Nm	
Screw Size	M3		M3	M3	
Test Voltage	1.6 kV		1.6 kV	4.0 kV	
Pollution Degree				3	

AK950/..F-5.0-GREEN-HC AKZ950/..F-5.08-GREEN-HC



Technical Data

Wire Size		Insulating Material	
Solid min	0.2 mm ²	Material	PA 6.6
Solid max	4.0 mm ²	Flammability Class	UL 94 V-0
Stranded (flexible) min		Temperatures	
Stranded (flexible) max	2.5 mm ²	Operating Temperature	-30 °C - 105 °C
Stranded with Ferrule min		Wave Soldering Process	
Stranded with Ferrule max	2.5 mm ²	Soldering Temperature, recommended	-
Dimensions		Peak Soldering Time, recommended	-
Stripped Length	6.0 mm	Reflow Process	
Materials		Soldering Temperature, recommended	-
Clamp	Brass	Peak Soldering Time, recommended	-
Screw	Steel		
Screw, Flange	Steel		
Contact Spring	Copper Alloy		

Colours

- GREEN, RAL 6018
- LIGHT GREEN, similar RAL 6018

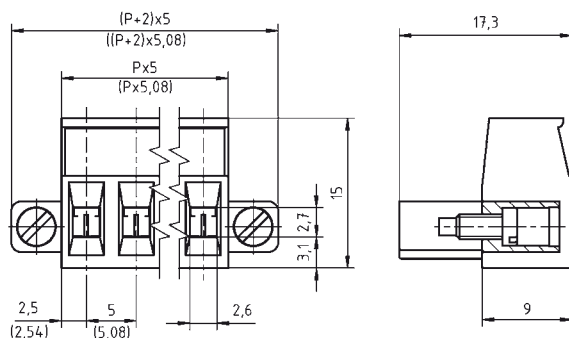
Colours according to RAL, there may be variations on colour due to production conditions. Special colours on request.

Counterparts (Spacing 5.0 mm)

Pin Strip
STL950

Counterparts (Spacing 5.08 mm)

Pin Strip
STLZ950



Order Data (Spacing 5.0 mm)

Poles	Width (mm)	Article Designation	Article Number	PU
2	20.00	AK950/2F-5.0-GREEN-HC	50950022009F	200
3	25.00	AK950/3F-5.0-GREEN-HC	50950032009F	200
4	30.00	AK950/4F-5.0-GREEN-HC	50950042009F	200
5	35.00	AK950/5F-5.0-GREEN-HC	50950052009E	100
6	40.00	AK950/6F-5.0-GREEN-HC	50950062009E	100
7	45.00	AK950/7F-5.0-GREEN-HC	50950072009E	100
8	50.00	AK950/8F-5.0-GREEN-HC	50950082009D	50
9	55.00	AK950/9F-5.0-GREEN-HC	50950092009D	50
...
12	70.00	AK950/12F-5.0-GREEN-HC	50950122009D	50

Order Data (Spacing 5.08 mm)

Poles	Width (mm)	Article Designation	Article Number	PU
2	20.32	AKZ950/2F-5.08-GREEN-HC	50950022029F	200
3	25.40	AKZ950/3F-5.08-GREEN-HC	50950032029F	200
4	30.48	AKZ950/4F-5.08-GREEN-HC	50950042029F	200
5	35.56	AKZ950/5F-5.08-GREEN-HC	50950052029E	100
6	40.64	AKZ950/6F-5.08-GREEN-HC	50950062029E	100
7	45.72	AKZ950/7F-5.08-GREEN-HC	50950072029E	100
8	50.80	AKZ950/8F-5.08-GREEN-HC	50950082029D	50
9	55.88	AKZ950/9F-5.08-GREEN-HC	50950092029D	50
...
12	71.12	AKZ950/12F-5.08-GREEN-HC	50950122029D	50

Accessories

Figure	Designation	Article Number
	Bridge, 2-pole, insulated, BR/2-5.0/5.08-LIGHT GREY	50000000006
	Bridge, 3-pole, insulated, BR/3-5.0/5.08-LIGHT GREY	50000000007
	Bridge, 2-pole, BR/2-5.0/5.08-L7.0	50000000008
	Coding Star CS1-5.0/5.08-RED	50000000021
	Series AK(Z)950 with separating element	on request
	Series AK(Z)950 with pull reliefs	on request

See pages 214/215 for details and general accessories, and see pages 8/9 concerning services.

Ratings

Usegroup	UL			VDE	
	B	C	D	III	
Rated Voltage	300 V	150 V	300 V	250 V	
Rated Current	16 A	16 A	10 A	16 A	
Overvoltage Category				III	
Rated Wire Size			min		max
	solid	AWG 22-12	AWG 22-12	0.5 mm ² (5 A)	2.5 mm ² (16 A)
	stranded	AWG 22-12	AWG 22-12	0.5 mm ² (5 A)	2.5 mm ² (16 A)
Torque	0.50 Nm	0.50 Nm	0.50 Nm	0.50 Nm	
Screw Size	M3	M3	M3	M3	
Test Voltage	1.6 kV	1.6 kV	1.6 kV	4.0 kV	
Pollution Degree				3	

AK955/..-5.0-GREEN AKZ955/..-5.08-GREEN



Technical Data

Wire Size		Insulating Material	
Solid min	0.2 mm ²	Material	PA 6.6
Solid max	4.0 mm ²	Flammability Class	UL 94 V-0
Stranded (flexible) min		Temperatures	
Stranded (flexible) max	0.2 mm ²	Operating Temperature	-30 °C - 105 °C
Stranded with Ferrule min	0.25 mm ²	Wave Soldering Process	
Stranded with Ferrule max	2.5 mm ²	Soldering Temperature, recommended	-
Dimensions		Peak Soldering Time, recommended	-
Stripped Length	7.0 mm	Reflow Process	
Materials		Soldering Temperature, recommended	-
Clamp	Brass	Peak Soldering Time, recommended	-
Screw	Steel		
Contact Spring	Bronze		

Colours

	GREEN, RAL 6018		BLACK, RAL 9011
	LIGHT GREY, RAL 7035		LIGHT GREEN, similar RAL 6018

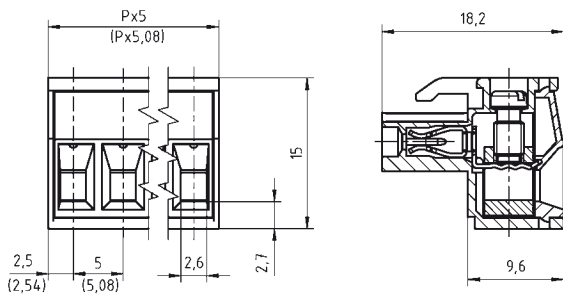
Colours according to RAL, there may be variations on colour due to production conditions. Special colours on request.

Counterparts (Spacing 5.0 mm)

Pin Strip		
STL950	STL975	STL955

Counterparts (Spacing 5.08 mm)

Terminal Block/ Pin Strip			
AKZ950-INV	STLZ990	STLZ970	STLZ950



Order Data (Spacing 5.0 mm)

Poles	Width (mm)	Article Designation	Article Number	PU
2	10.00	AK955/2-5.0-GREEN	50955020001F	200
3	15.00	AK955/3-5.0-GREEN	50955030001F	200
4	20.00	AK955/4-5.0-GREEN	50955040001F	200
5	25.00	AK955/5-5.0-GREEN	50955050001E	100
6	30.00	AK955/6-5.0-GREEN	50955060001E	100
7	35.00	AK955/7-5.0-GREEN	50955070001E	100
8	40.00	AK955/8-5.0-GREEN	50955080001D	50
9	45.00	AK955/9-5.0-GREEN	50955090001D	50
...
24	120.00	AK955/24-5.0-GREEN	50955240001D	50

Order Data (Spacing 5.08 mm)

Poles	Width (mm)	Article Designation	Article Number	PU
2	10.16	AKZ955/2-5.08-GREEN	50955020021F	200
3	15.24	AKZ955/3-5.08-GREEN	50955030021F	200
4	20.32	AKZ955/4-5.08-GREEN	50955040021F	200
5	25.40	AKZ955/5-5.08-GREEN	50955050021E	100
6	30.48	AKZ955/6-5.08-GREEN	50955060021E	100
7	35.56	AKZ955/7-5.08-GREEN	50955070021E	100
8	40.64	AKZ955/8-5.08-GREEN	50955080021D	50
9	45.72	AKZ955/9-5.08-GREEN	50955090021D	50
...
24	121.92	AKZ955/24-5.08-GREEN	50955240021D	50

Accessories

Figure	Designation	Article Number
	Bridge, 2-pole, insulated, BR/2-5.0/5.08-LIGHT GREY	50000000006
	Bridge, 3-pole, insulated, BR/3-5.0/5.08-LIGHT GREY	50000000007
	Bridge, 2-pole, BR/2-5.0/5.08-L7.0	50000000008
	Coding Star CS1-5.0/5.08-RED	50000000021

See pages 214/215 for details and general accessories, and see pages 8/9 concerning services.

Ratings

Usegroup	UL US		VDE	
	B	C	D	
Rated Voltage	300 V	-	300 V	250 V
Rated Current	10 A	-	10 A	9 A
Overvoltage Category				III
Rated Wire Size			min	max
	solid	AWG 28-12	-	AWG 28-12
	stranded	AWG 28-12	-	AWG 28-12
Torque	0.50 Nm		0.50 Nm	
Screw Size	M3		M3	
Test Voltage	1.6 kV		1.6 kV	
Pollution Degree	3			

* Approval Pending

AKZ950/..-5.08-GREEN-INV



Technical Data

Wire Size		Insulating Material	
Solid min	0.2 mm ²	Material	PA 6.6
Solid max	4.0 mm ²	Flammability Class	UL 94 V-0
Stranded (flexible) min		Temperatures	
Stranded (flexible) max	4.0 mm ²	Operating Temperature	-30 °C - 105 °C
Stranded with Ferrule min		Wave Soldering Process	
Stranded with Ferrule max	0.25 mm ²	Soldering Temperature, recommended	-
Stranded with Ferrule max		Peak Soldering Time, recommended	-
Dimensions		Reflow Process	
Stripped Length	7.0 mm	Soldering Temperature, recommended	-
Materials		Peak Soldering Time, recommended	-
Clamp	Brass		
Screw	Steel		
Kontaktstift	Brass		

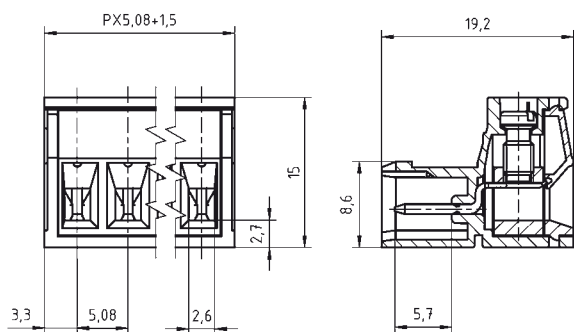
Colours

- GREEN, RAL 6018
- LIGHT GREEN, similar RAL 6018

Colours according to RAL, there may be variations on colour due to production conditions. Special colours on request.

Counterparts (Spacing 5.08 mm)




Terminal Block/ Pin Strip					
AKZ950	AKZ1100	AKZ1110	AKZ1200	AKZ4951	STLZ950-INV



Order Data (Spacing 5.08 mm)

Poles	Width (mm)	Article Designation	Article Number	PU
2	11.66	AKZ950/2-5.08-GREEN-INV	50950027028F	200
3	16.74	AKZ950/3-5.08-GREEN-INV	50950037028F	200
4	21.82	AKZ950/4-5.08-GREEN-INV	50950047028F	200
5	26.90	AKZ950/5-5.08-GREEN-INV	50950057028E	100
6	31.98	AKZ950/6-5.08-GREEN-INV	50950067028E	100
7	37.06	AKZ950/7-5.08-GREEN-INV	50950077028E	100
8	42.14	AKZ950/8-5.08-GREEN-INV	50950087028D	50
9	47.22	AKZ950/9-5.08-GREEN-INV	50950097028D	50
10	52.30	AKZ950/10-5.08-GREEN-INV	50950107028D	50
11	57.38	AKZ950/11-5.08-GREEN-INV	50950117028D	50
12	62.46	AKZ950/12-5.08-GREEN-INV	50950127028D	50
13	67.54	AKZ950/13-5.08-GREEN-INV	50950137028D	50
14	72.62	AKZ950/14-5.08-GREEN-INV	50950147028D	50
15	77.70	AKZ950/15-5.08-GREEN-INV	50950157028D	50
16	82.78	AKZ950/16-5.08-GREEN-INV	50950167028D	50
17	87.86	AKZ950/17-5.08-GREEN-INV	50950177028D	50
18	92.94	AKZ950/18-5.08-GREEN-INV	50950187028D	50
19	98.02	AKZ950/19-5.08-GREEN-INV	50950197028D	50
20	103.10	AKZ950/20-5.08-GREEN-INV	50950207028D	50
21	108.18	AKZ950/21-5.08-GREEN-INV	50950217028D	50
22	113.26	AKZ950/22-5.08-GREEN-INV	50950227028D	50
23	118.34	AKZ950/23-5.08-GREEN-INV	50950237028D	50
24	123.42	AKZ950/24-5.08-GREEN-INV	50950247028D	50

Accessories

Figure	Designation	Article Number
	Bridge, 2-pole, insulated, BRI/2-5.0/5.08-LIGHT GREY	50000000006
	Bridge, 3-pole, insulated, BRI/3-5.0/5.08-LIGHT GREY	50000000007
	Coding Star CS3-5.0/5.08-RED	50000000025

See pages 214/215 for details and general accessories, and see pages 8/9 concerning services.

Ratings

Usegroup	cULus		VDE		
	B	C	D		
Rated Voltage	300 V	-	300 V	250 V	
Rated Current	10 A	-	10 A	10 A	
Overvoltage Category				III	
Rated Wire Size			min max		
	solid	AWG 28-12	-	AWG 28-12	0.2 mm ² (4 A) 2.5 mm ² (10 A)
	stranded	AWG 28-12	-	AWG 28-12	0.2 mm ² (4 A) 2.5 mm ² (10 A)
Torque	0.50 Nm		0.50 Nm		0.50 Nm
Screw Size	M3		M3		M3
Test Voltage	1.6 kV		1.6 kV		4.0 kV
Pollution Degree					3

* Approval Pending

AK1100/..-5.0-GREEN AKZ1100/..-5.08-GREEN



Technical Data

Wire Size		Insulating Material	
Solid min	0.2 mm ²	Material	PA 6.6
Solid max	4.0 mm ²	Flammability Class	UL 94 V-0
Stranded (flexible) min		Temperatures	
Stranded (flexible) min	0.2 mm ²	Operating Temperature	-30 °C - 105 °C
Stranded (flexible) max	2.5 mm ²	Wave Soldering Process	
Stranded with Ferrule min	0.25 mm ²	Soldering Temperature, recommended	-
Stranded with Ferrule max	2.5 mm ²	Peak Soldering Time, recommended	-
Dimensions		Reflow Process	
Stripped Length	7.0 mm	Soldering Temperature, recommended	-
Materials		Peak Soldering Time, recommended	-
Clamp	Brass	Soldering Process	
Screw	Steel	Soldering Temperature, recommended	-
Contact Spring	Bronze	Peak Soldering Time, recommended	-

Colours

- GREEN, RAL 6018
- LIGHT GREY, RAL 7035
- LIGHT GREEN, similar RAL 6018

Colours according to RAL, there may be variations on colour due to production conditions. Special colours on request.

Counterparts (Spacing 5.0 mm)

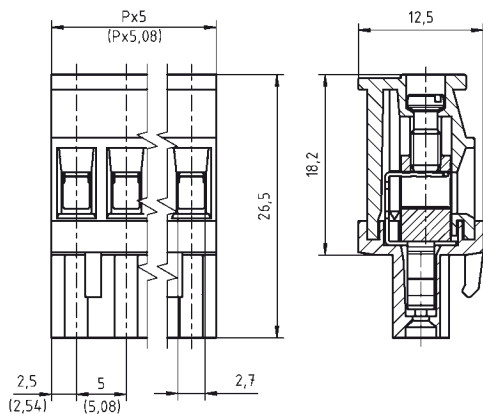
Pin Strip

STL950 STL975 STL955

Counterparts (Spacing 5.08 mm)

Terminal Block/ Pin Strip

STLZ970 STLZ990 AKZ950-INV STLZ950 AKZS950








Order Data (Spacing 5.0 mm)

Poles	Width (mm)	Article Designation	Article Number	PU
2	10.00	AK1100/2-5.0-GREEN	51100020021F	200
3	15.00	AK1100/3-5.0-GREEN	51100030021F	200
4	20.00	AK1100/4-5.0-GREEN	51100040021E	100
5	25.00	AK1100/5-5.0-GREEN	51100050021E	100
6	30.00	AK1100/6-5.0-GREEN	51100060021E	100
7	35.00	AK1100/7-5.0-GREEN	51100070021E	100
8	40.00	AK1100/8-5.0-GREEN	51100080021D	50
9	45.00	AK1100/9-5.0-GREEN	51100090021D	50
...
20	100.00	AK1100/20-5.0-GREEN	51100200021D	50

Order Data (Spacing 5.08 mm)

Poles	Width (mm)	Article Designation	Article Number	PU
2	10.16	AKZ1100/2-5.08-GREEN	51100020001F	200
3	15.24	AKZ1100/3-5.08-GREEN	51100030001F	200
4	20.32	AKZ1100/4-5.08-GREEN	51100040001E	100
5	25.40	AKZ1100/5-5.08-GREEN	51100050001E	100
6	30.48	AKZ1100/6-5.08-GREEN	51100060001E	100
7	35.56	AKZ1100/7-5.08-GREEN	51100070001E	100
8	40.64	AKZ1100/8-5.08-GREEN	51100080001D	50
9	45.72	AKZ1100/9-5.08-GREEN	51100090001D	50
...
16	81.28	AKZ1100/16-5.08-GREEN	51100160001D	50

Accessories

Figure	Designation	Article Number
	Bridge, 2-pole, insulated, BR/2-5.0/5.08-LIGHT GREY	50000000006
	Bridge, 3-pole, insulated, BR/3-5.0/5.08-LIGHT GREY	50000000007
	Bridge, 2-pole, BR/2-5.0/5.08-L7.0	50000000008
	Coding Star CS1-5.0/5.08-RED	50000000021
	Series AK(Z)1100 with separating element	on request
	Series AK(Z)1100 with pull reliefs	on request

See pages 214/215 for details and general accessories, and see pages 8/9 concerning services.

Ratings

Usegroup	UL US			VDE	
	B	C	D	III	
Rated Voltage	300 V	150 V	300 V	250 V	
Rated Current	15 A	15 A	10 A	10 A	
Overvoltage Category				III	
Rated Wire Size			min		max
	solid	AWG 22-10	AWG 22-10	AWG 22-10	0.5 mm ² 2.5 mm ² (10 A)
	stranded	AWG 22-10	AWG 22-10	AWG 22-10	0.5 mm ² 2.5 mm ² (10 A)
Torque	0.50 Nm	0.50 Nm	0.50 Nm	0.50 Nm	
Screw Size	M3	M3	M3	M3	
Test Voltage	1.6 kV	1.6 kV	1.6 kV	4.0 kV	
Pollution Degree				3	

AKZ1100/..FS-5.08-GREEN



Technical Data

Wire Size		Insulating Material	
Solid min	0.2 mm ²	Material	PA 6.6
Solid max	4.0 mm ²	Flammability Class	UL 94 V-0
Stranded (flexible) min		Temperatures	
Stranded (flexible) max	4.0 mm ²	Operating Temperature	-30 °C - 105 °C
Stranded with Ferrule min		Wave Soldering Process	
Stranded with Ferrule max	0.25 mm ²	Soldering Temperature, recommended	-
Stripped Length		Peak Soldering Time, recommended	-
Dimensions		Reflow Process	
Stripped Length	7.0 mm	Soldering Temperature, recommended	-
Materials		Peak Soldering Time, recommended	-
Clamp	Brass		
Screw	Steel		
Contact Spring	Bronze		

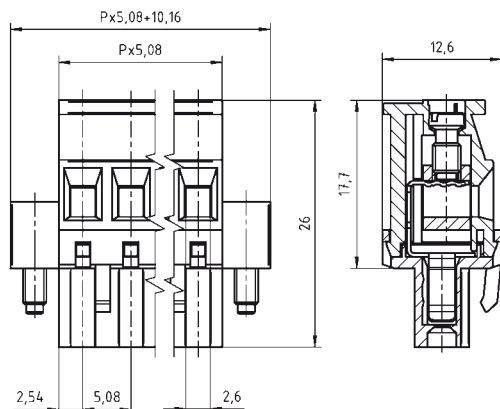
Colours

- GREEN, RAL 6018
- LIGHT GREEN, similar RAL 6018

Colours according to RAL, there may be variations on colour due to production conditions. Special colours on request.

Counterparts (Spacing 5.8 mm)




Terminal Block/ Pin Strip		
AKZS950	STLZ970	STLZ950



Order Data (Spacing 5.08 mm)

Poles	Width (mm)	Article Designation	Article Number	PU
2	20.32	AKZ1100/2FS-5.08-GREEN	51100022001F	200
3	25.40	AKZ1100/3FS-5.08-GREEN	51100032001F	200
4	30.48	AKZ1100/4FS-5.08-GREEN	51100042001E	100
5	35.56	AKZ1100/5FS-5.08-GREEN	51100052001E	100
6	40.64	AKZ1100/6FS-5.08-GREEN	51100062001E	100
7	45.72	AKZ1100/7FS-5.08-GREEN	51100072001E	100
8	50.80	AKZ1100/8FS-5.08-GREEN	51100082001E	100
9	55.88	AKZ1100/9FS-5.08-GREEN	51100092001D	50
10	60.96	AKZ1100/10FS-5.08-GREEN	51100102001D	50
11	66.04	AKZ1100/11FS-5.08-GREEN	51100112001D	50
12	71.12	AKZ1100/12FS-5.08-GREEN	51100122001D	50
13	76.20	AKZ1100/13FS-5.08-GREEN	51100132001D	50
14	81.28	AKZ1100/14FS-5.08-GREEN	51100142001D	50
15	86.36	AKZ1100/15FS-5.08-GREEN	51100152001D	50
16	91.44	AKZ1100/16FS-5.08-GREEN	51100162001D	50
17	96.52	AKZ1100/17FS-5.08-GREEN	51100172001D	50
18	101.60	AKZ1100/18FS-5.08-GREEN	51100182001D	50
19	106.68	AKZ1100/19FS-5.08-GREEN	51100192001D	50
20	111.76	AKZ1100/20FS-5.08-GREEN	51100202001D	50
21	116.84	AKZ1100/21FS-5.08-GREEN	51100212001D	50
22	121.92	AKZ1100/22FS-5.08-GREEN	51100222001D	50
23	127.00	AKZ1100/23FS-5.08-GREEN	51100232001D	50
24	132.08	AKZ1100/24FS-5.08-GREEN	51100242001D	50

Accessories

Figure	Designation	Article Number
	Bridge, 2-pole, insulated, BRI/2-5.0/5.08-LIGHT GREY	50000000006
	Bridge, 3-pole, insulated, BRI/3-5.0/5.08-LIGHT GREY	50000000007
	Coding Star CS4-5.0/5.08-RED	50000000026

See pages 214/215 for details and general accessories, and see pages 8/9 concerning services.

Ratings

Usegroup	UL US		VDE	
	B	C	D	
Rated Voltage	300 V	-	300 V	250 V
Rated Current	11 A	-	10A	12 A
Overvoltage Category				III
Rated Wire Size			min	max
	solid	AWG 28-12	-	AWG 28-12
	stranded	AWG 28-12	-	AWG 28-12
Torque	0.50 Nm		0.50 Nm	
Screw Size	M3		M3	
Test Voltage	1.6 kV		1.6 kV	
Pollution Degree	3			

* Approval Pending

AK1110/..-5.0-GREEN AKZ1110/..-5.08-GREEN



Technical Data

Wire Size		Insulating Material	
Solid min	0.2 mm ²	Material	PA 6.6
Solid max	4.0 mm ²	Flammability Class	UL 94 V-0
Stranded (flexible) min		Temperatures	
Stranded (flexible) max	0.2 mm ²	Operating Temperature	-30 °C - 105 °C
Stranded with Ferrule min	2.5 mm ²	Wave Soldering Process	
Stranded with Ferrule max	0.25 mm ²	Soldering Temperature, recommended	-
Stranded with Ferrule max		Peak Soldering Time, recommended	-
Dimensions		Reflow Process	
Stripped Length	7.0 mm	Soldering Temperature, recommended	-
Materials		Peak Soldering Time, recommended	-
Clamp	Brass		
Screw	Steel		
Contact Spring	Bronze		

Colours

- GREEN, RAL 6018
- LIGHT GREY, RAL 7035
- LIGHT GREEN, similar RAL 6018

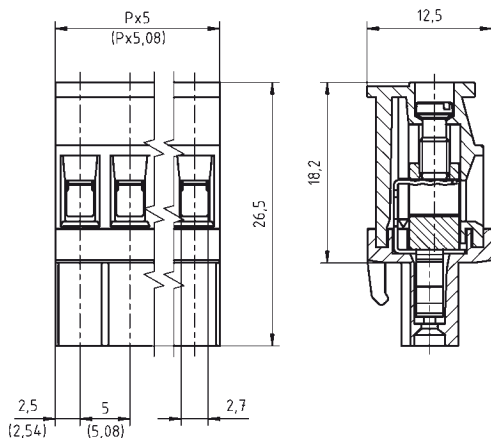
Colours according to RAL, there may be variations on colour due to production conditions. Special colours on request.

Counterparts (Spacing 5.0 mm)

Pin Strip		
STL950	STL975	STL955

Counterparts (Spacing 5.08 mm)

Terminal Block/ Pin Strip				
STLZ970	STLZ990	AKZ950-INV	STLZ950	AKZS950









Order Data (Spacing 5.0 mm)

Poles	Width (mm)	Article Designation	Article Number	PU
2	10.00	AK1110/2-5.0-GREEN	51110020021F	200
3	15.00	AK1110/3-5.0-GREEN	51110030021F	200
4	20.00	AK1110/4-5.0-GREEN	51110040021E	100
5	25.00	AK1110/5-5.0-GREEN	51110050021E	100
6	30.00	AK1110/6-5.0-GREEN	51110060021E	100
7	35.00	AK1110/7-5.0-GREEN	51110070021E	100
8	40.00	AK1110/8-5.0-GREEN	51110080021D	50
9	45.00	AK1110/9-5.0-GREEN	51110090021D	50
...
20	100.00	AK1110/20-5.0-GREEN	51110200021D	50

Order Data (Spacing 5.08 mm)

Poles	Width (mm)	Article Designation	Article Number	PU
2	10.16	AKZ1110/2-5.08-GREEN	51110020001F	200
3	15.24	AKZ1110/3-5.08-GREEN	51110030001F	200
4	20.32	AKZ1110/4-5.08-GREEN	51110040001E	100
5	25.40	AKZ1110/5-5.08-GREEN	51110050001E	100
6	30.48	AKZ1110/6-5.08-GREEN	51110060001E	100
7	35.56	AKZ1110/7-5.08-GREEN	51110070001E	100
8	40.64	AKZ1110/8-5.08-GREEN	51110080001D	50
9	45.72	AKZ1110/9-5.08-GREEN	51110090001D	50
...
15	76.20	AKZ1110/15-5.08-GREEN	51110150001D	50

Accessories

Figure	Designation	Article Number
	Bridge, 2-pole, insulated, BR/2-5.0/5.08-LIGHT GREY	50000000006
	Bridge, 3-pole, insulated, BR/3-5.0/5.08-LIGHT GREY	50000000007
	Bridge, 2-pole, BR/2-5.0/5.08-L7.0	50000000008
	Coding Star CS1-5.0/5.08-RED	50000000021
	Series AK(Z)1110 with separating element	on request
	Series AK(Z)1110 with pull reliefs	on request

See pages 214/215 for details and general accessories, and see pages 8/9 concerning services.

Ratings

Usegroup	UL US			VDE	
	B	C	D		
Rated Voltage	300 V	150 V	300 V	250 V	
Rated Current	15 A	15 A	10 A	10 A	
Overvoltage Category				III	
Rated Wire Size			min		max
	solid	AWG 22-10	AWG 22-10	AWG 22-10	0.5 mm ² 2.5 mm ² (10 A)
	stranded	AWG 22-10	AWG 22-10	AWG 22-10	0.5 mm ² 2.5 mm ² (10 A)
Torque	0.50 Nm	0.50 Nm	0.50 Nm	0.50 Nm	
Screw Size	M3	M3	M3	M3	
Test Voltage	1.6 kV	1.6 kV	1.6 kV	4.0 kV	
Pollution Degree				3	

AKZ1110/..FS-5.08-GREEN



Technical Data

Wire Size		Insulating Material	
Solid min	0.2 mm ²	Material	PA 6.6
Solid max	4.0 mm ²	Flammability Class	UL 94 V-0
Stranded (flexible) min		Temperatures	
Stranded (flexible) min	0.2 mm ²	Operating Temperature	-30 °C - 105 °C
Stranded (flexible) max	4.0 mm ²	Wave Soldering Process	
Stranded with Ferrule min	0.25 mm ²	Soldering Temperature, recommended	-
Stranded with Ferrule max	2.5 mm ²	Peak Soldering Time, recommended	-
Dimensions		Reflow Process	
Stripped Length	7.0 mm	Soldering Temperature, recommended	-
Materials		Peak Soldering Time, recommended	-
Clamp	Brass		
Screw	Steel		
Contact Spring	Bronze		

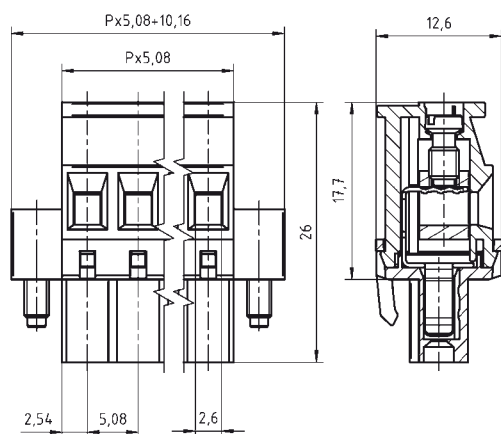
Colours

- GREEN, RAL 6018
- LIGHT GREEN, similar RAL 6018

Colours according to RAL, there may be variations on colour due to production conditions. Special colours on request.

Counterparts (Spacing 5.08 mm)





Terminal Block/ Pin Strip		
AKZS950	STLZ970	STLZ950



Order Data (Spacing 5.08 mm)

Poles	Width (mm)	Article Designation	Article Number	PU
2	20.32	AKZ1110/2FS-5.08-GREEN	51110022001F	200
3	25.40	AKZ1110/3FS-5.08-GREEN	51110032001F	200
4	30.48	AKZ1110/4FS-5.08-GREEN	51110042001E	100
5	35.56	AKZ1110/5FS-5.08-GREEN	51110052001E	100
6	40.64	AKZ1110/6FS-5.08-GREEN	51110062001E	100
7	45.72	AKZ1110/7FS-5.08-GREEN	51110072001E	100
8	50.80	AKZ1110/8FS-5.08-GREEN	51110082001E	100
9	55.88	AKZ1110/9FS-5.08-GREEN	51110092001D	50
10	60.96	AKZ1110/10FS-5.08-GREEN	51110102001D	50
11	66.04	AKZ1110/11FS-5.08-GREEN	51110112001D	50
12	71.12	AKZ1110/12FS-5.08-GREEN	51110122001D	50
13	76.20	AKZ1110/13FS-5.08-GREEN	51110132001D	50
14	81.28	AKZ1110/14FS-5.08-GREEN	51110142001D	50
15	86.36	AKZ1110/15FS-5.08-GREEN	51110152001D	50
16	91.44	AKZ1110/16FS-5.08-GREEN	51110162001D	50
17	96.52	AKZ1110/17FS-5.08-GREEN	51110172001D	50
18	101.60	AKZ1110/18FS-5.08-GREEN	51110182001D	50
19	106.68	AKZ1110/19FS-5.08-GREEN	51110192001D	50
20	111.76	AKZ1110/20FS-5.08-GREEN	51110202001D	50
21	116.84	AKZ1110/21FS-5.08-GREEN	51110212001D	50
22	121.92	AKZ1110/22FS-5.08-GREEN	51110222001D	50
23	127.00	AKZ1110/23FS-5.08-GREEN	51110232001D	50
24	132.08	AKZ1110/24FS-5.08-GREEN	51110242001D	50

Accessories

Figure	Designation	Article Number
	Bridge, 2-pole, insulated, BRI/2-5.0/5.08-LIGHT GREY	50000000006
	Bridge, 3-pole, insulated, BRI/3-5.0/5.08-LIGHT GREY	50000000007
	Bridge, 2-pole, BR/2-5.0/5.08-L7.0	50000000008
	Coding Star CS4-5.0/5.08-RED	50000000026

See pages 214/215 for details and general accessories, and see pages 8/9 concerning services.

Ratings

Usegroup	UL		VDE		
	B	C	D		
Rated Voltage	300 V	-	300 V	250 V	
Rated Current	11 A	-	10 A	12 A	
Overvoltage Category				III	
Rated Wire Size			min		max
	solid	AWG 28-12	-	AWG 28-12	0.5 mm ² 2.5 mm ² (12 A)
	stranded	AWG 28-12	-	AWG 28-12	0.5 mm ² 2.5 mm ² (12 A)
Torque	0.50 Nm		0.50 Nm		0.50 Nm
Screw Size	M3		M3		M3
Test Voltage	1.6 kV		1.6 kV		4.0 kV
Pollution Degree					3

* Approval Pending

AKZS950/..G-5.08-GREEN

TS 32/35, 19- to 24-poles on request



Technical Data

Wire Size		Insulating Material	
Solid min	0.2 mm ²	Material	PA 6.6
Solid max	4.0 mm ²	Flammability Class	UL 94 V-0
Stranded (flexible) min		Temperatures	
Stranded (flexible) min	0.2 mm ²	Operating Temperature	-30 °C - 105 °C
Stranded (flexible) max	2.5 mm ²	Wave Soldering Process	
Stranded with Ferrule min	0.25 mm ²	Soldering Temperature, recommended	-
Stranded with Ferrule max	2.5 mm ²	Peak Soldering Time, recommended	-
Dimensions		Reflow Process	
Stripped Length	6.0 mm	Soldering Temperature, recommended	-
Materials		Peak Soldering Time, recommended	-
Clamp	Brass		
Screw	Steel		
Contact Tag	Copper Alloy		

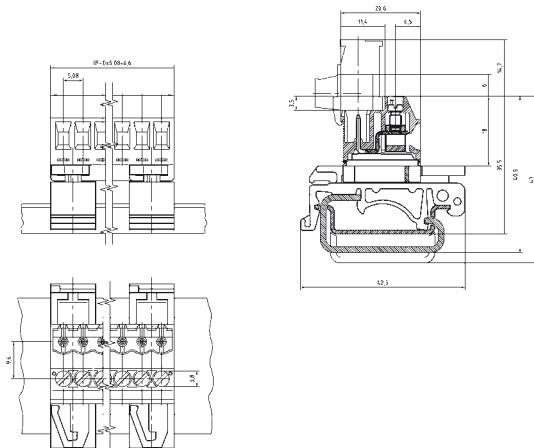
Colours

GREEN, RAL 6018 LIGHT GREEN, similar RAL 6018

Colours according to RAL, there may be variations on colour due to production conditions. Special colours on request.

Counterparts (Spacing 5.08 mm)

Terminal Block/ Pin Strip				
AKZ1200	STLZ950-INV	AKZ950	AKZ1100	AKZ1110



Order Data (Spacing 5.08 mm)

Poles	Width (mm)	Article Designation	Article Number	PU
2	11.68	AKZS950/2G-5.08-GREEN	50950027021E	100
3	16.76	AKZS950/3G-5.08-GREEN	50950037021E	100
4	21.84	AKZS950/4G-5.08-GREEN	50950047021E	100
5	26.92	AKZS950/5G-5.08-GREEN	50950057021E	100
6	32.00	AKZS950/6G-5.08-GREEN	50950067021D	50
7	37.08	AKZS950/7G-5.08-GREEN	50950077021D	50
8	42.16	AKZS950/8G-5.08-GREEN	50950087021D	50
9	47.24	AKZS950/9G-5.08-GREEN	50950097021D	50
10	52.32	AKZS950/10G-5.08-GREEN	50950107021D	50
11	57.40	AKZS950/11G-5.08-GREEN	50950117021D	50
12	62.48	AKZS950/12G-5.08-GREEN	50950127021D	50
13	67.56	AKZS950/13G-5.08-GREEN	50950137021D	50
14	72.64	AKZS950/14G-5.08-GREEN	50950147021D	50
15	77.72	AKZS950/15G-5.08-GREEN	50950157021D	50
16	82.80	AKZS950/16G-5.08-GREEN	50950167021D	50
17	87.88	AKZS950/17G-5.08-GREEN	50950177021D	50
18	92.96	AKZS950/18G-5.08-GREEN	50950187021D	50

Accessories

Figure	Designation	Article Number
	Bridge, 2-pole, insulated, BRI/2-5.0/5.08-LIGHT GREY	50000000006
	Bridge, 3-pole, insulated, BRI/3-5.0/5.08-LIGHT GREY	50000000007
	Bridge, 2-pole, BR/2-5.0/5.08-L7.0	50000000008
	Coding Star CS2-5.0/5.08-RED	50000000024
	Separating Element SE-STL950-GREEN	50950000002
	Mounting Rail Clip CLP-AKZS950-TS15/TS35	50950000005
	Mounting Rail Clip CLP-AKZS950-TS32/TS35	50950000006

See pages 214/215 for details and general accessories, and see pages 8/9 concerning services.

Ratings

Usegroup	UL US			VDE	
	B	C	D	III	
Rated Voltage	300 V	150 V	300 V	250 V	
Rated Current	15 A	15 A	10 A	12 A	
Overvoltage Category				III	
Rated Wire Size			min		max
	solid	AWG 28-12	AWG 28-12	AWG 28-12	0.5 mm ² (5 A) 2.5 mm ² (12 A)
	stranded	AWG 28-12	AWG 28-12	AWG 28-12	0.5 mm ² (5 A) 2.5 mm ² (12 A)
Torque	0.45 Nm	0.45 Nm	0.45 Nm	0.50 Nm	
Screw Size	M3	M3	M3	M3	
Test Voltage	1.6 kV	1.6 kV	1.6 kV	4.0 kV	
Pollution Degree				3	

AKZS950/..F-5.08-GREEN

TS 32/35, 19- to 24-poles on request



Technical Data

Wire Size		Insulating Material	
Solid min	0.2 mm ²	Material	PA 6.6
Solid max	4.0 mm ²	Flammability Class	UL 94 V-0
Stranded (flexible) min	0.2 mm ²	Temperatures	
Stranded (flexible) max	2.5 mm ²	Operating Temperature	-30 °C - 105 °C
Stranded with Ferrule min	0.25 mm ²	Wave Soldering Process	
Stranded with Ferrule max	2.5 mm ²	Soldering Temperature, recommended	-
Dimensions		Peak Soldering Time, recommended	-
Stripped Length	6.0 mm	Reflow Process	
Materials		Soldering Temperature, recommended	-
Clamp	Brass	Peak Soldering Time, recommended	-
Screw	Steel		
Thread Insert, Flange	Brass		
Contact Tag	Copper Alloy		

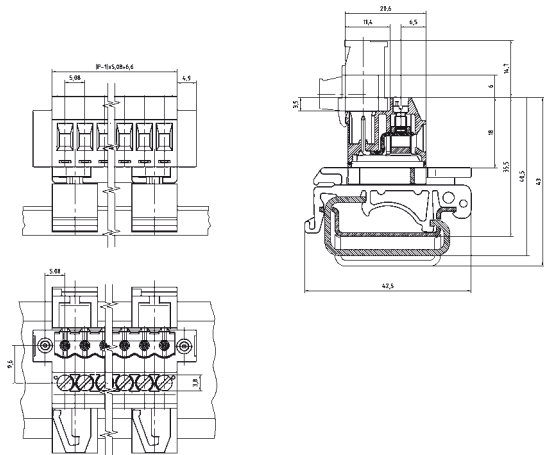
Colours

GREEN, RAL 6018 LIGHT GREEN, similar RAL 6018

Colours according to RAL, there may be variations on colour due to production conditions. Special colours on request.

Counterparts (Spacing 5.08 mm)

Terminal Block				
AKZ1200	AKZ950	AKZ1110	AKZ1100	AKZ4951



Order Data (Spacing 5.08 mm)

Poles	Width (mm)	Article Designation	Article Number	PU
2	21.48	AKZS950/2F-5.08-GREEN	50950027022E	100
3	26.56	AKZS950/3F-5.08-GREEN	50950037022E	100
4	31.64	AKZS950/4F-5.08-GREEN	50950047022E	100
5	36.72	AKZS950/5F-5.08-GREEN	50950057022E	100
6	41.80	AKZS950/6F-5.08-GREEN	50950067022D	50
7	46.88	AKZS950/7F-5.08-GREEN	50950077022D	50
8	51.96	AKZS950/8F-5.08-GREEN	50950087022D	50
9	57.04	AKZS950/9F-5.08-GREEN	50950097022D	50
10	62.12	AKZS950/10F-5.08-GREEN	50950107022D	50
11	67.20	AKZS950/11F-5.08-GREEN	50950117022D	50
12	72.28	AKZS950/12F-5.08-GREEN	50950127022D	50
13	77.36	AKZS950/13F-5.08-GREEN	50950137022D	50
14	82.44	AKZS950/14F-5.08-GREEN	50950147022D	50
15	87.52	AKZS950/15F-5.08-GREEN	50950157022D	50
16	92.60	AKZS950/16F-5.08-GREEN	50950167022D	50
17	97.68	AKZS950/17F-5.08-GREEN	50950177022D	50
18	102.76	AKZS950/18F-5.08-GREEN	50950187022D	50

Accessories

Figure	Designation	Article Number
	Bridge, 2-pole, insulated, BRI/2-5.0/5.08-LIGHT GREY	50000000006
	Bridge, 3-pole, insulated, BRI/3-5.0/5.08-LIGHT GREY	50000000007
	Bridge, 2-pole, BR/2-5.0/5.08-L7.0	50000000008
	Coding Star CS2-5.0/5.08-RED	50000000024
	Separating Element SE-STL950-GREEN	50950000002
	Mounting Rail Clip CLP-AKZS950-TS15/TS35	50950000005
	Mounting Rail Clip CLP-AKZS950-TS32/TS35	50950000006

See pages 214/215 for details and general accessories, and see pages 8/9 concerning services.

Ratings

Usegroup	UL US			VDE	
	B	C	D	III	
Rated Voltage	300 V	150 V	300 V	250 V	
Rated Current	15 A	15 A	10 A	12 A	
Overvoltage Category				III	
Rated Wire Size				min	max
	solid	AWG 28-12	AWG 28-12	AWG 28-12	0.5 mm ² (5 A)
	stranded	AWG 28-12	AWG 28-12	AWG 28-12	0.5 mm ² (5 A)
Torque	0.45 Nm	0.45 Nm	0.45 Nm	0.50 Nm	
Screw Size	M3	M3	M3	M3	
Test Voltage	1.6 kV	1.6 kV	1.6 kV	4.0 kV	
Pollution Degree				3	

AKZS950/..GMB-5.08-GREEN

13- to 24-poles on request



Technical Data

Wire Size		Insulating Material	
Solid min	0.2 mm ²	Material	PA 6.6
Solid max	4.0 mm ²	Flammability Class	UL 94 V-0
Stranded (flexible) min		Temperatures	
Stranded (flexible) max	0.2 mm ²	Operating Temperature	-30 °C - 105 °C
Stranded with Ferrule min	0.25 mm ²	Wave Soldering Process	
Stranded with Ferrule max	2.5 mm ²	Soldering Temperature, recommended	-
Dimensions		Peak Soldering Time, recommended	-
Stripped Length	6.0 mm	Reflow Process	
Materials		Soldering Temperature, recommended	-
Clamp	Brass	Peak Soldering Time, recommended	-
Screw	Steel		
Contact Tag	Copper Alloy		

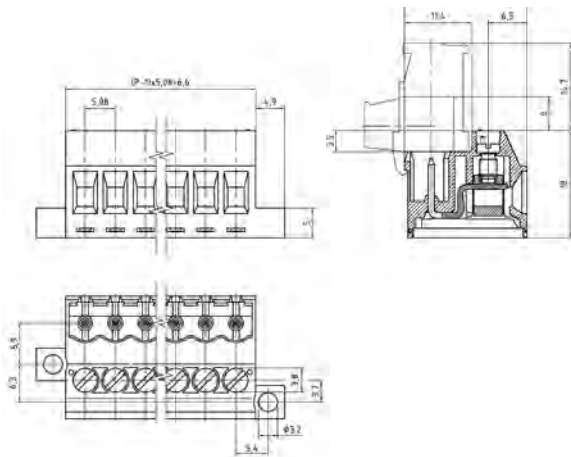
Colours

 GREEN, RAL 6018  LIGHT GREEN, similar RAL 6018

Colours according to RAL, there may be variations on colour due to production conditions. Special colours on request.

Counterparts (Spacing 5.08 mm)






Terminal Block/ Pin Strip					
AKZ1200	STLZ950-INV	AKZ950	AKZ1100	AKZ1110	AKZ4951



Order Data (Spacing 5.08 mm)

Poles	Width (mm)	Article Designation	Article Number	PU
2	21.48	AKZS950/2GMB-5.08-GREEN	50950027041D	50
3	26.56	AKZS950/3GMB-5.08-GREEN	50950037041D	50
4	31.64	AKZS950/4GMB-5.08-GREEN	50950047041D	50
5	36.72	AKZS950/5GMB-5.08-GREEN	50950057041D	50
6	41.80	AKZS950/6GMB-5.08-GREEN	50950067041D	50
7	46.88	AKZS950/7GMB-5.08-GREEN	50950077041D	50
8	51.96	AKZS950/8GMB-5.08-GREEN	50950087041D	50
9	57.04	AKZS950/9GMB-5.08-GREEN	50950097041D	50
10	62.12	AKZS950/10GMB-5.08-GREEN	50950107041D	50
11	67.20	AKZS950/11GMB-5.08-GREEN	50950117041D	50
12	72.28	AKZS950/12GMB-5.08-GREEN	50950127041D	50

Accessories

Figure	Designation	Article Number
	Bridge, 2-pole, insulated, BR/2-5.0/5.08-LIGHT GREY	50000000006
	Bridge, 3-pole, insulated, BR/3-5.0/5.08-LIGHT GREY	50000000007
	Bridge, 2-pole, BR/2-5.0/5.08-L7.0	50000000008
	Separating Element SE-STL950-GREEN	50950000002
	Coding Star CS2-5.0/5.08-RED	50000000024

See pages 214/215 for details and general accessories, and see pages 8/9 concerning services.

Ratings

Usegroup	UL US			VDE	
	B	C	D	III	
Rated Voltage	300 V	150 V	300 V	250 V	
Rated Current	15 A	15 A	10 A	12 A	
Overvoltage Category				III	
Rated Wire Size			min		max
	solid	AWG 28-12	AWG 28-12	AWG 28-12	0.5 mm ² (5 A) 2.5 mm ² (12 A)
	stranded	AWG 28-12	AWG 28-12	AWG 28-12	0.5 mm ² (5 A) 2.5 mm ² (12 A)
Torque	0.45 Nm		0.45 Nm	0.45 Nm 0.50 Nm	
Screw Size	M3		M3	M3	
Test Voltage	1.6 kV		1.6 kV	1.6 kV 4.0 kV	
Pollution Degree	3				

AKZ960/..-7.62-GREEN



Technical Data

Wire Size		Insulating Material	
Solid min	0.2 mm ²	Material	PA 6.6
Solid max	4.0 mm ²	Flammability Class	UL 94 V-0
Stranded (flexible) min	0.2 mm ²	Temperatures	
Stranded (flexible) max	2.5 mm ²	Operating Temperature	-30 °C - 105 °C
Stranded with Ferrule min	0.25 mm ²	Wave Soldering Process	
Stranded with Ferrule max	2.5 mm ²	Soldering Temperature, recommended	-
Dimensions		Peak Soldering Time, recommended	-
Stripped Length	6.0 mm	Reflow Process	
Materials		Soldering Temperature, recommended	-
Clamp	Brass	Peak Soldering Time, recommended	-
Screw	Steel		
Contact Spring	Bronze		

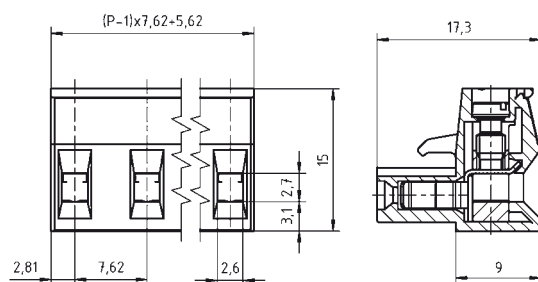
Colours

	GREEN, RAL 6018		LIGHT GREY, RAL 7035
	LIGHT GREEN, similar RAL 6018		

Colours according to RAL, there may be variations on colour due to production conditions. Special colours on request.

Counterparts (Spacing 7.62 mm)

Pin Strip	
STLZ960	



Order Data (Spacing 7.62 mm)

Poles	Width (mm)	Article Designation	Article Number	PU
2	13.24	AKZ960/2-7.62-GREEN	50960020021E	100
3	20.86	AKZ960/3-7.62-GREEN	50960030021E	100
4	28.48	AKZ960/4-7.62-GREEN	50960040021E	100
5	36.10	AKZ960/5-7.62-GREEN	50960050021E	100
6	43.72	AKZ960/6-7.62-GREEN	50960060021D	50
7	51.34	AKZ960/7-7.62-GREEN	50960070021D	50
8	58.96	AKZ960/8-7.62-GREEN	50960080021D	50
9	66.58	AKZ960/9-7.62-GREEN	50960090021D	50
10	74.20	AKZ960/10-7.62-GREEN	50960100021D	50
11	81.82	AKZ960/11-7.62-GREEN	50960110021D	50
12	89.44	AKZ960/12-7.62-GREEN	50960120021D	50
13	97.06	AKZ960/13-7.62-GREEN	50960130021D	50
14	104.68	AKZ960/14-7.62-GREEN	50960140021D	50
15	112.30	AKZ960/15-7.62-GREEN	50960150021D	50
16	119.92	AKZ960/16-7.62-GREEN	50960160021D	50

Accessories

Figure	Designation	Article Number
	Bridge, 2-pole, insulated, BRI/2-7.5-7.62-L8.2-LIGHT GREY	50000000017
	Coding Star CS1-5.0/5.08-RED	50000000021
	Series AKZ960 with separating element	on request
	Series AKZ960 with pull reliefs	on request

See pages 214/215 for details and general accessories, and see pages 8/9 concerning services.

Ratings

Usegroup	UL US			VDE	
	B	C	D	III	
Rated Voltage	300 V	150 V	300 V	400 V	
Rated Current	15 A	15 A	10 A	12 A	
Overvoltage Category				III	
Rated Wire Size				min	max
	solid	AWG 22-12	AWG 22-12	AWG 22-12	0.5 mm ² (5 A)
	stranded	AWG 22-12	AWG 22-12	AWG 22-12	0.5 mm ² (5 A)
Torque	0.80 Nm	0.80 Nm	0.80 Nm	0.50 Nm	
Screw Size	M3	M3	M3	M3	
Test Voltage	1.6 kV	1.6 kV	1.6 kV	6.0 kV	
Pollution Degree				3	

AKZ965/..F-7.62-GREEN



Technical Data

Wire Size		Insulating Material	
Solid min	0.08 mm ²	Material	PA 6.6
Solid max	4.0 mm ²	Flammability Class	UL 94 V-0
Stranded (flexible) min		Temperatures	
Stranded (flexible) max	4.0 mm ²	Operating Temperature	-30 °C - 105 °C
Stranded with Ferrule min		Wave Soldering Process	
Stranded with Ferrule max	0.25 mm ²	Soldering Temperature, recommended	-
Stripped Length		Peak Soldering Time, recommended	-
Stripped Length		Reflow Process	
Stripped Length		Soldering Temperature, recommended	-
Stripped Length		Peak Soldering Time, recommended	-
Dimensions		Materials	
Stripped Length	7.0 mm	Clamp	Brass
Materials		Screw	Steel
Clamp	Brass	Contact Spring	Bronze

Colours

- GREEN, RAL 6018
- LIGHT GREEN, similar RAL 6018

Colours according to RAL, there may be variations on colour due to production conditions. Special colours on request.



Counterparts (Spacing 7.62 mm)

Pin Strip	
STLZ965	

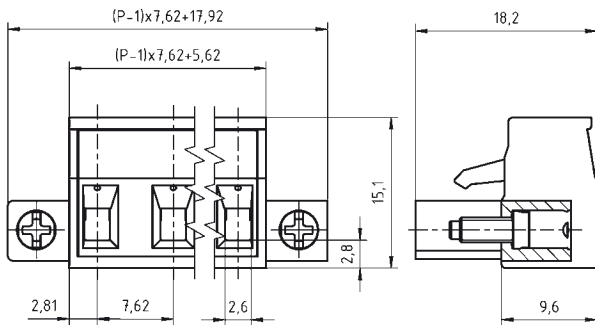
Order Data (Spacing 7.62 mm)

Poles	Width (mm)	Article Designation	Article Number	PU
2	25.54	AKZ965/2F-7.62-GREEN	50965022021E	100
3	33.16	AKZ965/3F-7.62-GREEN	50965032021E	100
4	40.78	AKZ965/4F-7.62-GREEN	50965042021D	50
5	48.40	AKZ965/5F-7.62-GREEN	50965052021D	50
6	56.02	AKZ965/6F-7.62-GREEN	50965062021D	50
7	63.64	AKZ965/7F-7.62-GREEN	50965072021D	50
8	71.26	AKZ965/8F-7.62-GREEN	50965082021D	50
9	78.88	AKZ965/9F-7.62-GREEN	50965092021D	50
10	86.50	AKZ965/10F-7.62-GREEN	50965102021D	50
11	94.12	AKZ965/11F-7.62-GREEN	50965112021D	50
12	101.74	AKZ965/12F-7.62-GREEN	50965122021D	50
13	109.36	AKZ965/13F-7.62-GREEN	50965132021D	50
14	116.98	AKZ965/14F-7.62-GREEN	50965142021D	50
15	124.60	AKZ965/15F-7.62-GREEN	50965152021D	50
16	132.22	AKZ965/16F-7.62-GREEN	50965162021D	50

Accessories

Figure	Designation	Article Number
	Bridge, 2-pole, insulated, BRV2-7.5-7.62-L8.2-LIGHT GREY	50000000017
	Coding Star CS4-5.0/5.08-RED	50000000026

See pages 214/215 for details and general accessories, and see pages 8/9 concerning services.



Ratings

Usegroup	cULus		VDE	
	B	C	D	
Rated Voltage	300 V	-	300 V	400 V
Rated Current	10 A	-	10 A	12 A
Overvoltage Category				III
Rated Wire Size			min	max
	solid	AWG 28-12	-	AWG 28-12
	stranded	AWG 28-12	-	AWG 28-12
Torque	0.50 Nm		0.50 Nm	
Screw Size	M3		M3	
Test Voltage	1.6 kV		1.6 kV	
Pollution Degree			3	

* Approval Pending

AKZ1200/..-5.08-GREEN



Technical Data

Wire Size		Insulating Material	
Solid min	0.2 mm ²	Material	PA 6.6
Solid max	4.0 mm ²	Flammability Class	UL 94 V-0
Stranded (flexible) min		Temperatures	
Stranded (flexible) min	0.2 mm ²	Operating Temperature	-30 °C - 105 °C
Stranded (flexible) max	2.5 mm ²	Wave Soldering Process	
Stranded with Ferrule min	0.25 mm ²	Soldering Temperature, recommended	-
Stranded with Ferrule max	2.5 mm ²	Peak Soldering Time, recommended	-
Dimensions		Reflow Process	
Stripped Length	10.0 mm	Soldering Temperature, recommended	-
Materials		Peak Soldering Time, recommended	-
Screw	Steel		
Contact Spring	Bronze		
Clamp Cage	Steel		
Excenter	Steel		

Colours

- GREEN, RAL 6018
- PEBBLE GREY, RAL 7032
- LIGHT GREEN, similar RAL 6018

Colours according to RAL, there may be variations on colour due to production conditions. Special colours on request.



Counterparts (Spacing 5.08 mm)

Terminal Block/ Pin Strip				
AKZ950-INV	AKZS950	STLZ950	STLZ970	STLZ990

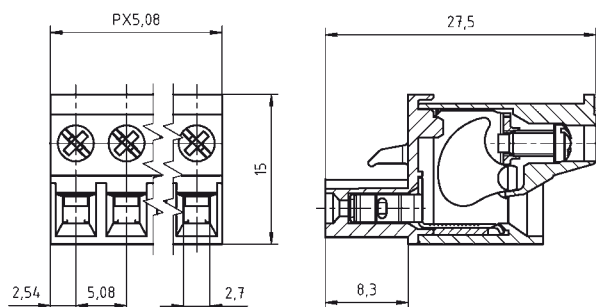
Order Data (Spacing 5.08 mm)

Poles	Width (mm)	Article Designation	Article Number	PU
2	10.16	AKZ1200/2-5.08-GREEN	51200020021D	50
3	15.24	AKZ1200/3-5.08-GREEN	51200030021D	50
4	20.32	AKZ1200/4-5.08-GREEN	51200040021D	50
5	25.40	AKZ1200/5-5.08-GREEN	51200050021D	50
6	30.48	AKZ1200/6-5.08-GREEN	51200060021D	50
7	35.56	AKZ1200/7-5.08-GREEN	51200070021D	50
8	40.64	AKZ1200/8-5.08-GREEN	51200080021D	50
9	45.72	AKZ1200/9-5.08-GREEN	51200090021D	50
10	50.80	AKZ1200/10-5.08-GREEN	51200100021D	50
11	55.88	AKZ1200/11-5.08-GREEN	51200110021D	50
12	60.96	AKZ1200/12-5.08-GREEN	51200120021D	50
13	66.04	AKZ1200/13-5.08-GREEN	51200130021D	50
14	71.12	AKZ1200/14-5.08-GREEN	51200140021D	50
15	76.20	AKZ1200/15-5.08-GREEN	51200150021D	50
16	81.28	AKZ1200/16-5.08-GREEN	51200160021D	50
17	86.36	AKZ1200/17-5.08-GREEN	51200170021D	50
18	91.44	AKZ1200/18-5.08-GREEN	51200180021D	50
19	96.52	AKZ1200/19-5.08-GREEN	51200190021D	50
20	101.60	AKZ1200/20-5.08-GREEN	51200200021D	50
21	106.68	AKZ1200/21-5.08-GREEN	51200210021D	50
22	111.76	AKZ1200/22-5.08-GREEN	51200220021D	50
23	116.84	AKZ1200/23-5.08-GREEN	51200230021D	50
24	121.92	AKZ1200/24-5.08-GREEN	51200240021D	50

Accessories

Figure	Designation	Article Number
	Coding Star CS1-5.0/5.08-RED	50000000021
	Series AKZ1200 with pull reliefs	on request

See pages 214/215 for details and general accessories, and see pages 8/9 concerning services.



Ratings

Usegroup	cULus			VDE	
	B	C	D	III	
Rated Voltage	300 V	150 V	300 V	250 V	
Rated Current	15 A	15 A	10 A	12 A	
Overvoltage Category				III	
Rated Wire Size				min	max
	solid	AWG 22-12	AWG 22-12	AWG 22-12	0.5 mm ² (5 A)
	stranded	AWG 22-12	AWG 22-12	AWG 22-12	0.5 mm ² (5 A)
Torque	0.80 Nm	0.80 Nm	0.80 Nm	0.50 Nm	
Screw Size	M2.5	M2.5	M2.5	M2.5	
Test Voltage	1.6 kV	1.6 kV	1.6 kV	4.0 kV	
Pollution Degree				3	

AKZ1200/..F-5.08-GREEN



21- 24-poles on request



Technical Data

Wire Size		Insulating Material	
Solid min	0.2 mm ²	Material	PA 6.6
Solid max	4.0 mm ²	Flammability Class	UL 94 V-0
Stranded (flexible) min		Temperatures	
Stranded (flexible) min	0.2 mm ²	Operating Temperature	-30 °C - 105 °C
Stranded (flexible) max	2.5 mm ²	Wave Soldering Process	
Stranded with Ferrule min	0.25 mm ²	Soldering Temperature, recommended	-
Stranded with Ferrule max	2.5 mm ²	Peak Soldering Time, recommended	-
Dimensions		Reflow Process	
Stripped Length	10.0 mm	Soldering Temperature, recommended	-
Materials		Peak Soldering Time, recommended	-
Screw	Steel	Soldering Temperature, recommended	-
Screw, Flange	Steel	Peak Soldering Time, recommended	-
Contact Spring	Bronze		
Clamp Cage	Steel		
Excenter	Steel		

Colours

	GREEN, RAL 6018		PEBBLE GREY, RAL 7032
	LIGHT GREEN, similar RAL 6018		

Colours according to RAL, there may be variations on colour due to production conditions. Special colours on request.



Counterparts (Spacing 5.08 mm)

Terminal Block/ Pin Strip		
STLZ950	STLZ970	AKZS950

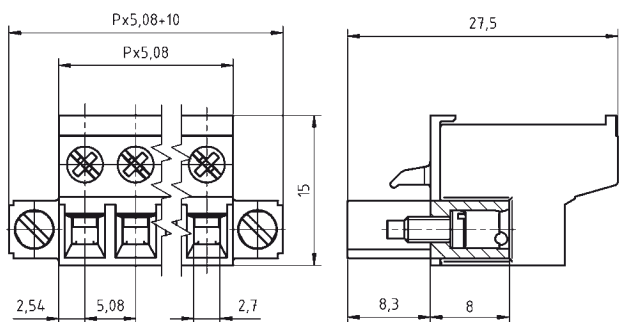
Order Data (Spacing 5.08 mm)

Poles	Width (mm)	Article Designation	Article Number	PU
2	20.16	AKZ1200/2F-5.08-GREEN	51200022021D	50
3	25.24	AKZ1200/3F-5.08-GREEN	51200032021D	50
4	30.32	AKZ1200/4F-5.08-GREEN	51200042021D	50
5	35.40	AKZ1200/5F-5.08-GREEN	51200052021D	50
6	40.48	AKZ1200/6F-5.08-GREEN	51200062021D	50
7	45.56	AKZ1200/7F-5.08-GREEN	51200072021D	50
8	50.64	AKZ1200/8F-5.08-GREEN	51200082021D	50
9	55.72	AKZ1200/9F-5.08-GREEN	51200092021D	50
10	60.80	AKZ1200/10F-5.08-GREEN	51200102021D	50
11	65.88	AKZ1200/11F-5.08-GREEN	51200112021D	50
12	70.96	AKZ1200/12F-5.08-GREEN	51200122021D	50
13	76.04	AKZ1200/13F-5.08-GREEN	51200132021D	50
14	81.12	AKZ1200/14F-5.08-GREEN	51200142021D	50
15	86.20	AKZ1200/15F-5.08-GREEN	51200152021D	50
16	91.28	AKZ1200/16F-5.08-GREEN	51200162021D	50
17	96.36	AKZ1200/17F-5.08-GREEN	51200172021D	50
18	101.44	AKZ1200/18F-5.08-GREEN	51200182021D	50
19	106.52	AKZ1200/19F-5.08-GREEN	51200192021D	50
20	111.60	AKZ1200/20F-5.08-GREEN	51200202021D	50

Accessories

Figure	Designation	Article Number
	Coding Star CS1-5.0/5.08-RED	50000000021
	Series AKZ1200 with pull reliefs	on request

See pages 214/215 for details and general accessories, and see pages 8/9 concerning services.



Ratings

Usegroup	UL US			VDE	
	B	C	D	III	
Rated Voltage	300 V	150 V	300 V	250 V	
Rated Current	15 A	15 A	10 A	12 A	
Overvoltage Category				III	
Rated Wire Size				min	max
	solid	AWG 22-12	AWG 22-12	AWG 22-12	0.5 mm ² (5 A) / 2.5 mm ² (12 A)
	stranded	AWG 22-12	AWG 22-12	AWG 22-12	0.5 mm ² (5 A) / 2.5 mm ² (12 A)
Torque	0.80 Nm		0.80 Nm	0.80 Nm / 0.50 Nm	
Screw Size	M2.5		M2.5	M2.5	
Test Voltage	1.6 kV		1.6 kV	1.6 kV / 4.0 kV	
Pollution Degree	3				

AK4350/..G-3.5-GREEN



Technical Data

Wire Size		Insulating Material	
Solid min	0.34 mm ²	Material	PA 6.6
Solid max	0.5 mm ²	Flammability Class	UL 94 V-0
Stranded (flexible) min	-	Temperatures	
Stranded (flexible) max	-	Operating Temperature	-30 °C - 105 °C
Stranded with Ferrule min	-	Wave Soldering Process	
Stranded with Ferrule max	-	Soldering Temperature, recommended	-
Dimensions		Peak Soldering Time, recommended	-
Stripped Length	8.5 mm	Reflow Process	
Materials		Soldering Temperature, recommended	-
Contact Spring	Copper Alloy	Peak Soldering Time, recommended	-
Clamp Spring	Stainless Steel		

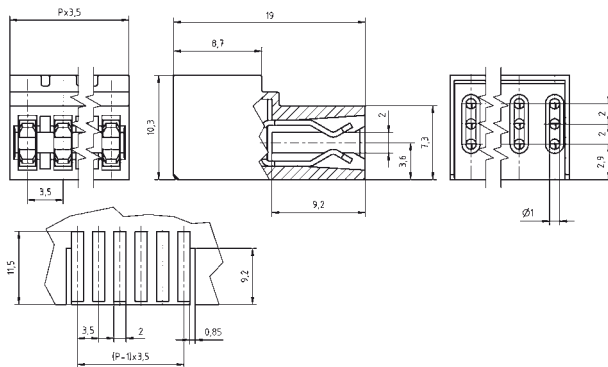
Colours

GREEN, RAL 6018

Colours according to RAL, there may be variations on colour due to production conditions. Special colours on request.

Order Data (Spacing 3.5 mm)

Poles	Width (mm)	Article Designation	Article Number	PU
2	7.00	AK4350/2G-3.5-GREEN	54350020001F	200
3	10.50	AK4350/3G-3.5-GREEN	54350030001F	200
4	14.00	AK4350/4G-3.5-GREEN	54350040001E	100
5	17.50	AK4350/5G-3.5-GREEN	54350050001E	100
6	21.00	AK4350/6G-3.5-GREEN	54350060001D	50
7	24.50	AK4350/7G-3.5-GREEN	54350070001D	50
8	28.00	AK4350/8G-3.5-GREEN	54350080001D	50
9	31.50	AK4350/9G-3.5-GREEN	54350090001D	50
10	35.00	AK4350/10G-3.5-GREEN	54350100001D	50
11	38.50	AK4350/11G-3.5-GREEN	54350110001D	50
12	42.00	AK4350/12G-3.5-GREEN	54350120001D	50



Ratings



*

Usegroup	B	C	D		
Rated Voltage	150 V	-	300 V	160 V	
Rated Current	5 A	-	5 A	6 A	
Overvoltage Category				III	
Rated Wire Size			min		max
solid	AWG 22-20	-	AWG 22-20	-	0.5 mm ² (6 A)
stranded	-	-	-	-	-
Test Voltage	1.3 kV	-	1.3 kV	2.5 kV	
Pollution Degree				3	
* leaned to DIN EN 61984					

AK4551/..KD-3.5-BASALT GREY AKZ4551/..KD-3.81-BASALT GREY



Technical Data

Wire Size		Insulating Material	
Solid min	0.14 mm ²	Material	PA 6.6
Solid max	2.5 mm ²	Flammability Class	UL 94 V-0
Stranded (flexible) min	0.14 mm ²	Temperatures	
Stranded (flexible) max	1.5 mm ²	Operating Temperature	-30 °C - 105 °C
Stranded with Ferrule min	0.25 mm ²	Wave Soldering Process	
Stranded with Ferrule max	1.0 mm ²	Soldering Temperature, recommended	-
Dimensions		Peak Soldering Time, recommended	-
Stripped Length	11.0 mm	Reflow Process	
Materials		Soldering Temperature, recommended	-
Contact Spring	Copper Alloy	Peak Soldering Time, recommended	-
Clamp Spring	Stainless Steel		

Colours

- BASALT GREY, RAL 7012
- GREEN, RAL 6018
- LIGHT GREEN, similar RAL 6018

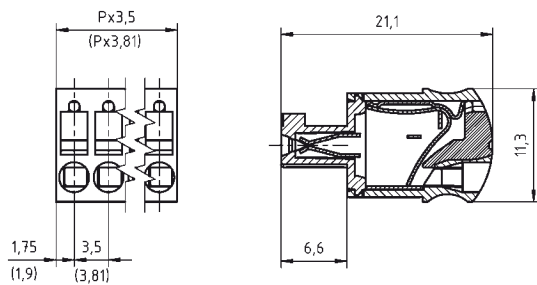
Colours according to RAL, there may be variations on colour due to production conditions. Special colours on request.

Counterparts (Spacing 3.5 mm)

Pin Strip
STL1550

Counterparts (Spacing 3.81 mm)

Pin Strip
STLZ1550 STLZ1590 STLZ1570




Order Data (Spacing 3.5 mm)

Poles	Width (mm)	Article Designation	Article Number	PU
2	7.00	AK4551/2KD-3.5-BASALT GREY	54551020401F	200
3	10.50	AK4551/3KD-3.5-BASALT GREY	54551030401F	200
4	14.00	AK4551/4KD-3.5-BASALT GREY	54551040401F	200
5	17.50	AK4551/5KD-3.5-BASALT GREY	54551050401F	200
6	21.00	AK4551/6KD-3.5-BASALT GREY	54551060401E	100
7	24.50	AK4551/7KD-3.5-BASALT GREY	54551070401E	100
8	28.00	AK4551/8KD-3.5-BASALT GREY	54551080401D	50
9	31.50	AK4551/9KD-3.5-BASALT GREY	54551090401D	50
...
20	70.00	AK4551/20KD-3.5-BASALT GREY	54551200401D	50

Order Data (Spacing 3.81 mm)

Poles	Width (mm)	Article Designation	Article Number	PU
2	7.62	AKZ4551/2KD-3.81-BASALT GREY	54551020421F	200
3	11.43	AKZ4551/3KD-3.81-BASALT GREY	54551030421F	200
4	15.24	AKZ4551/4KD-3.81-BASALT GREY	54551040421F	200
5	19.05	AKZ4551/5KD-3.81-BASALT GREY	54551050421F	200
6	22.86	AKZ4551/6KD-3.81-BASALT GREY	54551060421E	100
7	26.67	AKZ4551/7KD-3.81-BASALT GREY	54551070421E	100
8	30.48	AKZ4551/8KD-3.81-BASALT GREY	54551080421D	50
9	34.29	AKZ4551/9KD-3.81-BASALT GREY	54551090421D	50
...
20	76.20	AKZ4551/20KD-3.81-BASALT GREY	54551200421D	50

Accessories

Figure	Designation	Article Number
	Series AK(Z)4551 with pull reliefs	on request

See pages 214/215 for details and general accessories, and see pages 8/9 concerning services.

Ratings

Usegroup	cULus		VDE	
	B	C	D	
Rated Voltage	300 V	-	300 V	160 V
Rated Current	10 A	-	10 A	10 A
Overvoltage Category				III
Rated Wire Size			min	max
	solid	AWG 26-16	-	AWG 26-16 0.14 mm ² (3 A) 2.5 mm ² (10 A)
	stranded	AWG 26-16	-	AWG 26-16 0.14 mm ² (3 A) 1.5 mm ² (10 A)
Test Voltage	1.6 kV	-	1.6 kV	2.5 kV
Pollution Degree				3

AK4551/..FKD-3.5-BASALT GREY AKZ4551/..FKD-3.81-BASALT GREY



Technical Data

Wire Size		Insulating Material	
Solid min	0.14 mm ²	Material	PA 6.6
Solid max	2.5 mm ²	Flammability Class	UL 94 V-0
Stranded (flexible) min	0.14 mm ²	Temperatures	
Stranded (flexible) max	1.5 mm ²	Operating Temperature	-30 °C - 105 °C
Stranded with Ferrule min	0.25 mm ²	Wave Soldering Process	
Stranded with Ferrule max	1.0 mm ²	Soldering Temperature, recommended	-
Dimensions		Peak Soldering Time, recommended	-
Stripped Length	11.0 mm	Reflow Process	
Materials		Soldering Temperature, recommended	-
Screw, Flange	Steel	Peak Soldering Time, recommended	-
Contact Spring	Copper Alloy		
Clamp Spring	Stainless Steel		

Colours

- BASALT GREY, RAL 7012
- GREEN, RAL 6018
- LIGHT GREEN, similar RAL 6018

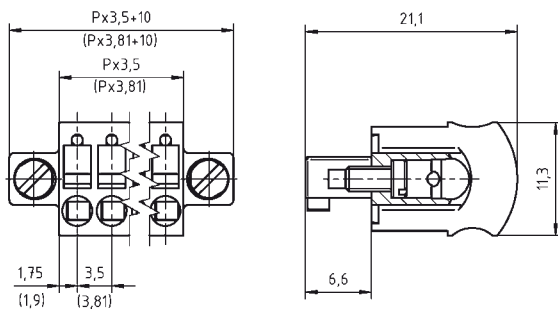
Colours according to RAL, there may be variations on colour due to production conditions. Special colours on request.

Counterparts (Spacing 3.5 mm)

Pin Strip	
STL1550	

Counterparts (Spacing 3.81 mm)

Pin Strip		
STLZ1550	STLZ1570	STLZ1590




Order Data (Spacing 3.5 mm)

Poles	Width (mm)	Article Designation	Article Number	PU
2	17.00	AK4551/2FKD-3.5-BASALT GREY	54551022401F	200
3	20.50	AK4551/3FKD-3.5-BASALT GREY	54551032401F	200
4	24.00	AK4551/4FKD-3.5-BASALT GREY	54551042401F	200
5	27.50	AK4551/5FKD-3.5-BASALT GREY	54551052401F	200
6	31.00	AK4551/6FKD-3.5-BASALT GREY	54551062401E	100
7	34.50	AK4551/7FKD-3.5-BASALT GREY	54551072401E	100
8	38.00	AK4551/8FKD-3.5-BASALT GREY	54551082401D	50
9	41.50	AK4551/9FKD-3.5-BASALT GREY	54551092401D	50
...
20	80.00	AK4551/20FKD-3.5-BASALT GREY	54551202401D	50

Order Data (Spacing 3.81 mm)



Poles	Width (mm)	Article Designation	Article Number	PU
2	17.62	AKZ4551/2FKD-3.81-BASALT GREY	54551022421F	200
3	21.43	AKZ4551/3FKD-3.81-BASALT GREY	54551032421F	200
4	25.24	AKZ4551/4FKD-3.81-BASALT GREY	54551042421F	200
5	29.05	AKZ4551/5FKD-3.81-BASALT GREY	54551052421F	200
6	32.86	AKZ4551/6FKD-3.81-BASALT GREY	54551062421E	100
7	36.67	AKZ4551/7FKD-3.81-BASALT GREY	54551072421E	100
8	40.48	AKZ4551/8FKD-3.81-BASALT GREY	54551082421D	50
9	44.29	AKZ4551/9FKD-3.81-BASALT GREY	54551092421D	50
...
20	86.20	AKZ4551/20FKD-3.81-BASALT GREY	54551202421D	50

Accessories

Figure	Designation	Article Number
	Series AK(Z)4551 with pull reliefs	on request

See pages 214/215 for details and general accessories, and see pages 8/9 concerning services.

Ratings

Usegroup	C 		D 			
	B	C	D			
Rated Voltage	300 V	-	300 V	160 V		
Rated Current	10 A	-	10 A	10 A		
Overvoltage Category				III		
Rated Wire Size			min	max		
	solid	AWG 26-16	-	AWG 26-16	0.14 mm ² (3 A)	2.5 mm ² (10 A)
	stranded	AWG 26-16	-	AWG 26-16	0.14 mm ² (3 A)	1.5 mm ² (10 A)
Test Voltage	1.6 kV		-	1.6 kV	2.5 kV	
Pollution Degree	3					

Push-In | Spacing 3.5 mm/ 3.81 mm

AK4561/..KD-3.5-BASALT GREY AKZ4561/..KD-3.81-BASALT GREY



Technical Data

Wire Size		Insulating Material	
Solid min	0.14 mm ²	Material	PA 6.6
Solid max	2.5 mm ²	Flammability Class	UL 94 V-0
Stranded (flexible) min		Temperatures	
Stranded (flexible) min	0.14 mm ²	Operating Temperature	-30 °C - 105 °C
Stranded (flexible) max	1.5 mm ²	Wave Soldering Process	
Stranded with Ferrule min	0.25 mm ²	Soldering Temperature, recommended	-
Stranded with Ferrule max	1.0 mm ²	Peak Soldering Time, recommended	-
Dimensions		Reflow Process	
Stripped Length	11.0 mm	Soldering Temperature, recommended	-
Materials		Peak Soldering Time, recommended	-
Contact Spring	Copper Alloy		
Clamp Spring	Stainless Steel		

Colours

- BASALT GREY, RAL 7012
- GREEN, RAL 6018
- LIGHT GREEN, similar RAL 6018

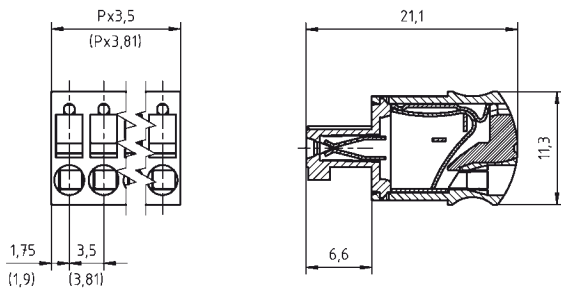
Colours according to RAL, there may be variations on colour due to production conditions. Special colours on request.

Counterparts (Spacing 3.5 mm)

Pin Strip	
STL1550	

Counterparts (Spacing 3.81 mm)

Terminal Block/ Pin Strip				
AKZS950	AKZ950-INV	STLZ1590	STLZ1550	STLZ1570



Order Data (Spacing 3.5 mm)

Poles	Width (mm)	Article Designation	Article Number	PU
2	7.00	AK4561/2KD-3.5-BASALT GREY	54561020401F	200
3	10.50	AK4561/3KD-3.5-BASALT GREY	54561030401F	200
4	14.00	AK4561/4KD-3.5-BASALT GREY	54561040401F	200
5	17.50	AK4561/5KD-3.5-BASALT GREY	54561050401F	200
6	21.00	AK4561/6KD-3.5-BASALT GREY	54561060401E	100
7	24.50	AK4561/7KD-3.5-BASALT GREY	54561070401E	100
8	28.00	AK4561/8KD-3.5-BASALT GREY	54561080401D	50
9	31.50	AK4561/9KD-3.5-BASALT GREY	54561090401D	50
...
20	70.00	AK4561/20KD-3.5-BASALT GREY	54561200401D	50

Order Data (Spacing 3.81 mm)

Poles	Width (mm)	Article Designation	Article Number	PU
2	7.62	AKZ4561/2KD-3.81-BASALT GREY	54561020421 F	200
3	11.43	AKZ4561/3KD-3.81-BASALT GREY	54561030421 F	200
4	15.24	AKZ4561/4KD-3.81-BASALT GREY	54561040421 F	200
5	19.05	AKZ4561/5KD-3.81-BASALT GREY	54561050421 F	200
6	22.86	AKZ4561/6KD-3.81-BASALT GREY	54561060421 E	100
7	26.67	AKZ4561/7KD-3.81-BASALT GREY	54561070421 E	100
8	30.48	AKZ4561/8KD-3.81-BASALT GREY	54561080421 D	50
9	34.29	AKZ4561/9KD-3.81-BASALT GREY	54561090421 D	50
...
20	76.20	AKZ4561/20KD-3.81-BASALT GREY	54561200421 D	50

Accessories

Figure	Designation	Article Number
	Series AK(Z)4561 with pull reliefs	on request

See pages 214/215 for details and general accessories, and see pages 8/9 concerning services.

Ratings

Usegroup	UL US		VDE	
	B	C	D	
Rated Voltage	300 V	-	300 V	160 V
Rated Current	10 A	-	10 A	10 A
Overvoltage Category				III
Rated Wire Size			min	max
	solid	AWG 26-16	-	AWG 26-16
	stranded	AWG 26-16	-	AWG 26-16
Test Voltage	1.6 kV		1.6 kV	
Pollution Degree	3			

AK4561/..FKD-3.5-BASALT GREY AKZ4561/..FKD-3.81-BASALT GREY



Technical Data

Wire Size		Insulating Material	
Solid min	0.14 mm ²	Material	PA 6.6
Solid max	2.5 mm ²	Flammability Class	UL 94 V-0
Stranded (flexible) min	0.14 mm ²	Temperatures	
Stranded (flexible) max	1.5 mm ²	Operating Temperature	-30 °C - 105 °C
Stranded with Ferrule min	0.25 mm ²	Wave Soldering Process	
Stranded with Ferrule max	1.0 mm ²	Soldering Temperature, recommended	-
Dimensions		Peak Soldering Time, recommended	-
Stripped Length	11.0 mm	Reflow Process	
Materials		Soldering Temperature, recommended	-
Screw, Flange	Steel	Peak Soldering Time, recommended	-
Contact Spring	Copper Alloy		
Clamp Spring	Stainless Steel		

Colours

■ BASALT GREY, RAL 7012

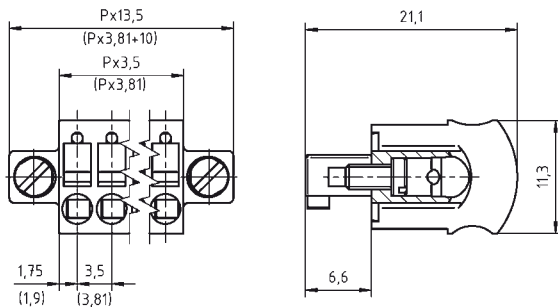
Colours according to RAL, there may be variations on colour due to production conditions. Special colours on request.

Counterparts (Spacing 3.5 mm)

Pin Strip	
STL1550	

Counterparts (Spacing 3.81 mm)

Pin Strip	
STLZ1550	STLZ1570



Order Data (Spacing 3.5 mm)

Poles	Width (mm)	Article Designation	Article Number	PU
2	17.00	AK4561/2FKD-3.5-BASALT GREY	54561022401F	200
3	20.50	AK4561/3FKD-3.5-BASALT GREY	54561032401F	200
4	24.00	AK4561/4FKD-3.5-BASALT GREY	54561042401F	200
5	27.50	AK4561/5FKD-3.5-BASALT GREY	54561052401F	200
6	31.00	AK4561/6FKD-3.5-BASALT GREY	54561062401E	100
7	34.50	AK4561/7FKD-3.5-BASALT GREY	54561072401E	100
8	38.00	AK4561/8FKD-3.5-BASALT GREY	54561082401D	50
9	41.50	AK4561/9FKD-3.5-BASALT GREY	54561092401D	50
...
20	80.00	AK4561/20FKD-3.5-BASALT GREY	54561202401D	50

Order Data (Spacing 3.81 mm)


Poles	Width (mm)	Article Designation	Article Number	PU
2	17.62	AKZ4561/2FKD-3.81-BASALT GREY	54561022421F	200
3	21.43	AKZ4561/3FKD-3.81-BASALT GREY	54561032421F	200
4	25.24	AKZ4561/4FKD-3.81-BASALT GREY	54561042421F	200
5	29.05	AKZ4561/5FKD-3.81-BASALT GREY	54561052421F	200
6	32.86	AKZ4561/6FKD-3.81-BASALT GREY	54561062421E	100
7	36.67	AKZ4561/7FKD-3.81-BASALT GREY	54561072421E	100
8	40.48	AKZ4561/8FKD-3.81-BASALT GREY	54561082421D	50
9	44.29	AKZ4561/9FKD-3.81-BASALT GREY	54561092421D	50
...
20	86.20	AKZ4561/20FKD-3.81-BASALT GREY	54561202421D	50

Accessories

Figure	Designation	Article Number
	Series AK(Z)4561 with pull reliefs	on request

See pages 214/215 for details and general accessories, and see pages 8/9 concerning services.

Ratings

Usegroup	C 		D 			
	B	C	D			
Rated Voltage	300 V	-	300 V	160 V		
Rated Current	10 A	-	10 A	10 A		
Overvoltage Category				III		
Rated Wire Size			min	max		
	solid	AWG 26-16	-	AWG 26-16	0.14 mm ² (3 A)	2.5 mm ² (10 A)
	stranded	AWG 26-16	-	AWG 26-16	0.14 mm ² (3 A)	1.5 mm ² (10 A)
Test Voltage	1.6 kV		-	1.6 kV	2.5 kV	
Pollution Degree	3					

Push-In | Spacing 5.0 mm/ 5.08 mm

AK4951/..KD-5.0-BASALT GREY AKZ4951/..KD-5.08-BASALT GREY



Technical Data

Wire Size		Insulating Material	
Solid min	0.2 mm ²	Material	PA 6.6
Solid max	2.5 mm ²	Flammability Class	UL 94 V-0
Stranded (flexible) min	0.2 mm ²	Temperatures	
Stranded (flexible) max	2.5 mm ²	Operating Temperature	-30 °C - 105 °C
Stranded with Ferrule min	0.25 mm ²	Wave Soldering Process	
Stranded with Ferrule max	2.5 mm ²	Soldering Temperature, recommended	-
Dimensions		Peak Soldering Time, recommended	-
Stripped Length	12 mm	Reflow Process	
Materials		Soldering Temperature, recommended	-
Contact Spring	Copper Alloy	Peak Soldering Time, recommended	-
Clamp Spring	Stainless Steel		

Colours

- BASALT GREY, RAL 7012
- GREEN, RAL 6018
- LIGHT GREEN, similar RAL 6018

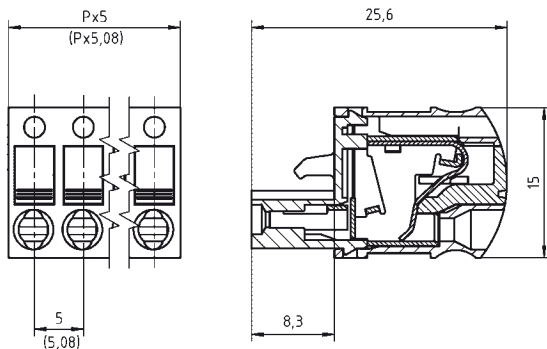
Colours according to RAL, there may be variations on colour due to production conditions. Special colours on request.

Counterparts (Spacing 5.0 mm)

Pin Strip		
STL950	STL975	STL955

Counterparts (Spacing 5.08 mm)

Pin Strip		
STLZ950	STLZ990	STLZ970





Order Data (Spacing 5.0 mm)

Poles	Width (mm)	Article Designation	Article Number	PU
2	10.00	AK4951/2KD-5.0-BASALT GREY	54951020401D	50
3	15.00	AK4951/3KD-5.0-BASALT GREY	54951030401D	50
4	20.00	AK4951/4KD-5.0-BASALT GREY	54951040401D	50
5	25.00	AK4951/5KD-5.0-BASALT GREY	54951050401D	50
6	30.00	AK4951/6KD-5.0-BASALT GREY	54951060401D	50
7	35.00	AK4951/7KD-5.0-BASALT GREY	54951070401D	50
8	40.00	AK4951/8KD-5.0-BASALT GREY	54951080401D	50
9	45.00	AK4951/9KD-5.0-BASALT GREY	54951090401D	50
...
24	120.00	AK4951/24KD-5.0-BASALT GREY	54951240401D	50

Order Data (Spacing 5.08 mm)

Poles	Width (mm)	Article Designation	Article Number	PU
2	10.16	AKZ4951/2KD-5.08-BASALT GREY	54951020421D	50
3	15.24	AKZ4951/3KD-5.08-BASALT GREY	54951030421D	50
4	20.32	AKZ4951/4KD-5.08-BASALT GREY	54951040421D	50
5	25.40	AKZ4951/5KD-5.08-BASALT GREY	54951050421D	50
6	30.48	AKZ4951/6KD-5.08-BASALT GREY	54951060421D	50
7	35.56	AKZ4951/7KD-5.08-BASALT GREY	54951070421D	50
8	40.64	AKZ4951/8KD-5.08-BASALT GREY	54951080421D	50
9	45.72	AKZ4951/9KD-5.08-BASALT GREY	54951090421D	50
...
24	121.92	AKZ4951/24KD-5.08-BASALT GREY	54951240421D	50

Accessories

Figure	Designation	Article Number
	Coding Star CS1-5.0/5.08-RED	50000000021
	Series AK(Z)4951 with pull reliefs	on request

See pages 214/215 for details and general accessories, and see pages 8/9 concerning services.

Ratings

Usegroup	UL [®]		VDE [®]	
	B	C	D	
Rated Voltage	300 V	-	300 V	250 V
Rated Current	10 A	-	10 A	12 A
Overvoltage Category				III
Rated Wire Size			min	max
	solid	AWG 26-12	-	AWG 26-12
	stranded	AWG 26-12	-	AWG 26-12
Test Voltage	1.6 kV		1.6 kV	
Pollution Degree	3			

* Approval Pending

AK4951/..FKD-5.0-BASALT GREY AKZ4951/..FKD-5.08-BASALT GREY



Technical Data

Wire Size		Insulating Material	
Solid min	0.2 mm ²	Material	PA 6.6
Solid max	2.5 mm ²	Flammability Class	UL 94 V-0
Stranded (flexible) min		Temperatures	
Stranded (flexible) max	0.2 mm ²	Operating Temperature	-30 °C - 105 °C
Stranded with Ferrule min		Wave Soldering Process	
Stranded with Ferrule max	0.25 mm ²	Soldering Temperature, recommended	-
Stranded with Ferrule max		Peak Soldering Time, recommended	-
Dimensions		Reflow Process	
Stripped Length	12 mm	Soldering Temperature, recommended	-
Materials		Peak Soldering Time, recommended	-
Screw, Flange	Steel		
Contact Spring	Copper Alloy		
Clamp Spring	Stainless Steel		

Colours

- BASALT GREY, RAL 7012
- GREEN, RAL 6018
- LIGHT GREEN, similar RAL 6018

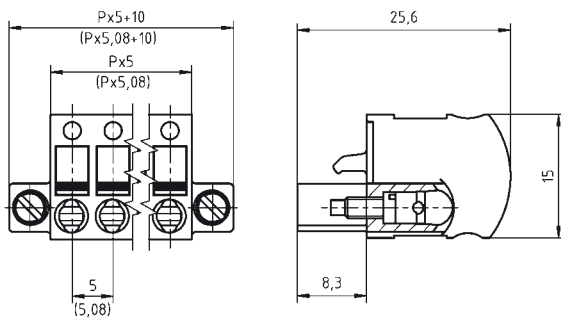
Colours according to RAL, there may be variations on colour due to production conditions. Special colours on request.

Counterparts (Spacing 5.0 mm)

Pin Strip	
STL950	

Counterparts (Spacing 5.08 mm)

Pin Strip	
STLZ950	STLZ970





Order Data (Spacing 5.0 mm)

Poles	Width (mm)	Article Designation	Article Number	PU
2	20.00	AK4951/2FKD-5.0-BASALT GREY	54951022401D	50
3	25.00	AK4951/3FKD-5.0-BASALT GREY	54951032401D	50
4	30.00	AK4951/4FKD-5.0-BASALT GREY	54951042401D	50
5	35.00	AK4951/5FKD-5.0-BASALT GREY	54951052401D	50
6	40.00	AK4951/6FKD-5.0-BASALT GREY	54951062401D	50
7	45.00	AK4951/7FKD-5.0-BASALT GREY	54951072401D	50
8	50.00	AK4951/8FKD-5.0-BASALT GREY	54951082401D	50
9	55.00	AK4951/9FKD-5.0-BASALT GREY	54951092401D	50
...
24	130.00	AK4951/24FKD-5.0-BASALT GREY	54951242401D	50

Order Data (Spacing 5.08 mm)

Poles	Width (mm)	Article Designation	Article Number	PU
2	20.16	AKZ4951/2FKD-5.08-BASALT GREY	54951022421D	50
3	25.24	AKZ4951/3FKD-5.08-BASALT GREY	54951032421D	50
4	30.32	AKZ4951/4FKD-5.08-BASALT GREY	54951042421D	50
5	35.40	AKZ4951/5FKD-5.08-BASALT GREY	54951052421D	50
6	40.48	AKZ4951/6FKD-5.08-BASALT GREY	54951062421D	50
7	45.56	AKZ4951/7FKD-5.08-BASALT GREY	54951072421D	50
8	50.64	AKZ4951/8FKD-5.08-BASALT GREY	54951082421D	50
9	55.72	AKZ4951/9FKD-5.08-BASALT GREY	54951092421D	50
...
24	131.92	AKZ4951/24FKD-5.08-BASALT GREY	54951242421D	50

Accessories

Figure	Designation	Article Number
	Coding Star CS1-5.0/5.08-RED	50000000021
	Series AK(Z)4951 with pull reliefs	on request

See pages 214/215 for details and general accessories, and see pages 8/9 concerning services.

Ratings

Usegroup	UL [®]		VDE [®]	
	B	C	D	
Rated Voltage	300 V	-	300 V	250 V
Rated Current	10 A	-	10 A	12 A
Overvoltage Category				III
Rated Wire Size			min	max
	solid	AWG 26-12	-	AWG 26-12
	stranded	AWG 26-12	-	AWG 26-12
Test Voltage	1.6 kV		1.6 kV	
Pollution Degree	3			

* Approval Pending

Tension Spring | Spacing 5.0 mm

AK3950/..-5.0-GREEN



Technical Data

Wire Size		Insulating Material	
Solid min	0.08 mm ²	Material	PA 6.6
Solid max	2.5 mm ²	Flammability Class	UL 94 V-0
Stranded (flexible) min		Temperatures	
Stranded (flexible) max	2.5 mm ²	Operating Temperature	-30 °C - 105 °C
Stranded with Ferrule min		Wave Soldering Process	
Stranded with Ferrule max	0.14 mm ²	Soldering Temperature, recommended	-
Stranded with Ferrule max		Peak Soldering Time, recommended	-
Dimensions		Reflow Process	
Stripped Length	8.5 mm	Soldering Temperature, recommended	-
Materials		Peak Soldering Time, recommended	-
Contact Spring	Copper Alloy		
Tension Spring	Stainless Steel		

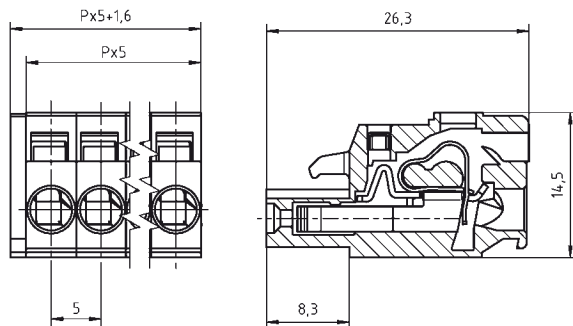
Colours

■ GREEN, RAL 6018 ■ PEBBLE GREY, RAL 7032

Colours according to RAL, there may be variations on colour due to production conditions. Special colours on request.

Counterparts (Spacing 5.0 mm)

Pin Strip		
STL950	STL955	STL975



Order Data (Spacing 5.0 mm)

Poles	Width (mm)	Article Designation	Article Number	PU
2	11.60	AK3950/2-5.0-GREEN	53950020001D	50
3	16.60	AK3950/3-5.0-GREEN	53950030001D	50
4	21.60	AK3950/4-5.0-GREEN	53950040001D	50
5	26.60	AK3950/5-5.0-GREEN	53950050001D	50
6	31.60	AK3950/6-5.0-GREEN	53950060001D	50
7	36.60	AK3950/7-5.0-GREEN	53950070001D	50
8	41.60	AK3950/8-5.0-GREEN	53950080001D	50
9	46.60	AK3950/9-5.0-GREEN	53950090001D	50
10	51.60	AK3950/10-5.0-GREEN	53950100001D	50
11	56.60	AK3950/11-5.0-GREEN	53950110001D	50
12	61.60	AK3950/12-5.0-GREEN	53950120001D	50
13	66.60	AK3950/13-5.0-GREEN	53950130001D	50
14	71.60	AK3950/14-5.0-GREEN	53950140001D	50
15	76.60	AK3950/15-5.0-GREEN	53950150001D	50
16	81.60	AK3950/16-5.0-GREEN	53950160001D	50
17	86.60	AK3950/17-5.0-GREEN	53950170001D	50
18	91.60	AK3950/18-5.0-GREEN	53950180001D	50
19	96.60	AK3950/19-5.0-GREEN	53950190001D	50
20	101.60	AK3950/20-5.0-GREEN	53950200001D	50
21	106.60	AK3950/21-5.0-GREEN	53950210001D	50
22	111.60	AK3950/22-5.0-GREEN	53950220001D	50
23	116.60	AK3950/23-5.0-GREEN	53950230001D	50
24	121.60	AK3950/24-5.0-GREEN	53950240001D	50

Accessories

Figure	Designation	Article Number
	Bridge, 2-pole, insulated, BR/2-5.0/5.08-LIGHT GREY	50000000006
	Bridge, 3-pole, insulated, BR/3-5.0/5.08-LIGHT GREY	50000000007
	Coding Star CS1-5.0/5.08-RED	50000000021

See pages 214/215 for details and general accessories, and see pages 8/9 concerning services.

Ratings

Usegroup	UL US		VDE			
	B	C	D			
Rated Voltage	300 V	-	300 V	250 V		
Rated Current	15 A	-	10 A	12 A		
Overvoltage Category				III		
Rated Wire Size	min				max	
	solid	AWG 28-12	-	AWG 28-12	0.5 mm ² (5 A)	2.5 mm ² (12 A)
	stranded	AWG 28-12	-	AWG 28-12	0.5 mm ² (5 A)	2.5 mm ² (12 A)
Test Voltage	1.6 kV		1.6 kV		4.0 kV	
Pollution Degree						3

STL1350/..-3.5-V-BLACK



Technical Data

Wire Size		Insulating Material	
Solid min	-	Material	PA 6.6
Solid max	-	Flammability Class	UL 94 V-0
Stranded (flexible) min		Temperatures	
Stranded (flexible) max	-	Operating Temperature	-30 °C - 105 °C
Stranded with Ferrule min		Wave Soldering Process	
Stranded with Ferrule max	-	Soldering Temperature, recommended	265 °C
		Peak Soldering Time, recommended	3-4 s
Dimensions		Reflow Process	
PCB Hole Diameter	1.3 mm	Soldering Temperature, recommended	-
Materials		Peak Soldering Time, recommended	-
Contact Pin	Brass		

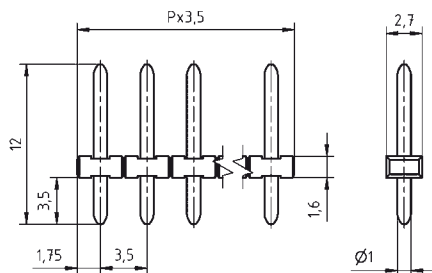
Colours

 BLACK, RAL 9011	 LIGHT GREY, RAL 7035
 GREEN, RAL 6018	 ORANGE, RAL 2011
 RED, RAL 3003	 BLUE, RAL 5015
 YELLOW, RAL 1018	

Colours according to RAL, there may be variations on colour due to production conditions. Special colours on request.

Counterparts (Spacing 3.5 mm)

Terminal Block
AK1350



Order Data (Spacing 3.5 mm)

Poles	Width (mm)	Article Designation	Article Number	PU
2	7.00	STL1350/2-3.5-V-BLACK	51350025001G	250
3	10.50	STL1350/3-3.5-V-BLACK	51350035001G	250
4	14.00	STL1350/4-3.5-V-BLACK	51350045001G	250
5	17.50	STL1350/5-3.5-V-BLACK	51350055001G	250
6	21.00	STL1350/6-3.5-V-BLACK	51350065001G	250
7	24.50	STL1350/7-3.5-V-BLACK	51350075001G	250
8	28.00	STL1350/8-3.5-V-BLACK	51350085001E	100
9	31.50	STL1350/9-3.5-V-BLACK	51350095001E	100
10	35.00	STL1350/10-3.5-V-BLACK	51350105001E	100
11	38.50	STL1350/11-3.5-V-BLACK	51350115001E	100
12	42.00	STL1350/12-3.5-V-BLACK	51350125001E	100
13	45.50	STL1350/13-3.5-V-BLACK	51350135001D	50
14	49.00	STL1350/14-3.5-V-BLACK	51350145001D	50
15	52.50	STL1350/15-3.5-V-BLACK	51350155001D	50
16	56.00	STL1350/16-3.5-V-BLACK	51350165001D	50
17	59.50	STL1350/17-3.5-V-BLACK	51350175001D	50
18	63.00	STL1350/18-3.5-V-BLACK	51350185001D	50
19	66.50	STL1350/19-3.5-V-BLACK	51350195001D	50
20	70.00	STL1350/20-3.5-V-BLACK	51350205001D	50
21	73.50	STL1350/21-3.5-V-BLACK	51350215001D	50
22	77.00	STL1350/22-3.5-V-BLACK	51350225001D	50
23	80.50	STL1350/23-3.5-V-BLACK	51350235001D	50
24	84.00	STL1350/24-3.5-V-BLACK	51350245001D	50

Colour: 2- to 12-poles available
Black: 2- to 24-poles available

Ratings

Usegroup				
	B	C	D	
Rated Voltage	150 V	-	-	125 V
Rated Current	9 A	-	-	8 A
Overvoltage Category				III
Test Voltage	1.3 kV	-	-	2.5 kV
Pollution Degree				3

STL1350/..-3.5-V-BLACK-HT



Technical Data

Wire Size		Insulating Material	
Solid min	-	Material	LCP
Solid max	-	Flammability Class	UL 94 V-0
Stranded (flexible) min		Temperatures	
Stranded (flexible) max	-	Operating Temperature	-30 °C - 105 °C
Stranded with Ferrule min		Wave Soldering Process	
Stranded with Ferrule max	-	Soldering Temperature, recommended	265 °C
		Peak Soldering Time, recommended	3-4 s
Dimensions		Reflow Process	
PCB Hole Diameter	1.3 mm	Soldering Temperature, recommended	217 °C - 245 °C
		Peak Soldering Time, recommended	60 s
Materials		Soldering Temperature, recommended	
Contact Pin	Brass	Peak Soldering Time, recommended	

Colours

■ BLACK, RAL 9011

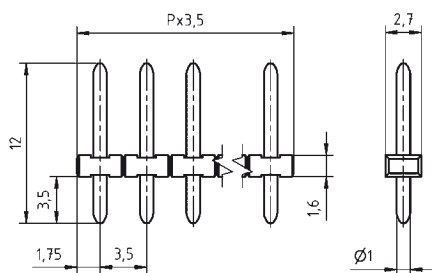
Colours according to RAL, there may be variations on colour due to production conditions.

Counterparts (Spacing 3.5 mm)

Terminal Block
AK1350

Order Data (Spacing 3.5 mm)

Poles	Width (mm)	Article Designation	Article Number	PU
2	7.00	STL1350/2-3.5-V-BLACK-HT	51350025031G	250
3	10.50	STL1350/3-3.5-V-BLACK-HT	51350035031G	250
4	14.00	STL1350/4-3.5-V-BLACK-HT	51350045031G	250
5	17.50	STL1350/5-3.5-V-BLACK-HT	51350055031G	250
6	21.00	STL1350/6-3.5-V-BLACK-HT	51350065031G	250
7	24.50	STL1350/7-3.5-V-BLACK-HT	51350075031G	250
8	28.00	STL1350/8-3.5-V-BLACK-HT	51350085031E	100
9	31.50	STL1350/9-3.5-V-BLACK-HT	51350095031E	100
10	35.00	STL1350/10-3.5-V-BLACK-HT	51350105031E	100
11	38.50	STL1350/11-3.5-V-BLACK-HT	51350115031E	100
12	42.00	STL1350/12-3.5-V-BLACK-HT	51350125031E	100
13	45.50	STL1350/13-3.5-V-BLACK-HT	51350135031D	50
14	49.00	STL1350/14-3.5-V-BLACK-HT	51350145031D	50
15	52.50	STL1350/15-3.5-V-BLACK-HT	51350155031D	50
16	56.00	STL1350/16-3.5-V-BLACK-HT	51350165031D	50
17	59.50	STL1350/17-3.5-V-BLACK-HT	51350175031D	50
18	63.00	STL1350/18-3.5-V-BLACK-HT	51350185031D	50
19	66.50	STL1350/19-3.5-V-BLACK-HT	51350195031D	50
20	70.00	STL1350/20-3.5-V-BLACK-HT	51350205031D	50



Ratings



Usegroup	B	C	D
Rated Voltage	150 V	-	-
Rated Current	9 A	-	-
Overvoltage Category			III
Test Voltage	1.3 kV	-	-
Pollution Degree			3

STL1350/..-3.5-H-BLACK



Technical Data

Wire Size		Insulating Material	
Solid min	-	Material	PA 6.6
Solid max	-	Flammability Class	UL 94 V-0
Stranded (flexible) min		Temperatures	
Stranded (flexible) max	-	Operating Temperature	-30 °C - 105 °C
Stranded with Ferrule min		Wave Soldering Process	
Stranded with Ferrule max	-	Soldering Temperature, recommended	265 °C
		Peak Soldering Time, recommended	3-4 s
Dimensions		Reflow Process	
PCB Hole Diameter	1.3 mm	Soldering Temperature, recommended	-
Materials		Peak Soldering Time, recommended	-
Contact Pin	Brass		

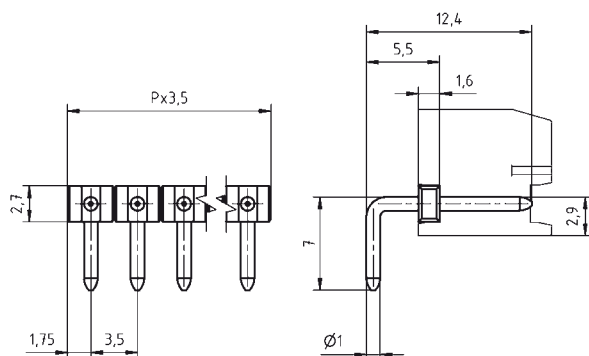
Colours

	BLACK, RAL 9011		LIGHT GREY, RAL 7035
	GREEN, RAL 6018		ORANGE, RAL 2011
	RED, RAL 3003		BLUE, RAL 5015
	YELLOW, RAL 1018		

Colours according to RAL, there may be variations on colour due to production conditions. Special colours on request.

Counterparts (Spacing 3.5 mm)

Terminal Block
AK1350





Order Data (Spacing 3.5 mm)

Poles	Width (mm)	Article Designation	Article Number	PU
2	7.00	STL1350/2-3.5-H-BLACK	51350025010E	100
3	10.50	STL1350/3-3.5-H-BLACK	51350035010E	100
4	14.00	STL1350/4-3.5-H-BLACK	51350045010E	100
5	17.50	STL1350/5-3.5-H-BLACK	51350055010D	50
6	21.00	STL1350/6-3.5-H-BLACK	51350065010D	50
7	24.50	STL1350/7-3.5-H-BLACK	51350075010D	50
8	28.00	STL1350/8-3.5-H-BLACK	51350085010D	50
9	31.50	STL1350/9-3.5-H-BLACK	51350095010D	50
10	35.00	STL1350/10-3.5-H-BLACK	51350105010D	50
11	38.50	STL1350/11-3.5-H-BLACK	51350115010D	50
12	42.00	STL1350/12-3.5-H-BLACK	51350125010D	50
13	45.50	STL1350/13-3.5-H-BLACK	51350135010D	50
14	49.00	STL1350/14-3.5-H-BLACK	51350145010D	50
15	52.50	STL1350/15-3.5-H-BLACK	51350155010D	50
16	56.00	STL1350/16-3.5-H-BLACK	51350165010D	50
17	59.50	STL1350/17-3.5-H-BLACK	51350175010D	50
18	63.00	STL1350/18-3.5-H-BLACK	51350185010D	50
19	66.50	STL1350/19-3.5-H-BLACK	51350195010D	50
20	70.00	STL1350/20-3.5-H-BLACK	51350205010D	50
21	73.50	STL1350/21-3.5-H-BLACK	51350215010D	50
22	77.00	STL1350/22-3.5-H-BLACK	51350225010D	50
23	80.50	STL1350/23-3.5-H-BLACK	51350235010D	50
24	84.00	STL1350/24-3.5-H-BLACK	51350245010D	50

Colour: 2- to 12-poles available
Black: 2- to 24-poles available

Ratings

Usegroup				
	B	C	D	
Rated Voltage	150 V	-	-	125 V
Rated Current	9 A	-	-	8 A
Overvoltage Category				III
Test Voltage	1.3 kV	-	-	2.5 kV
Pollution Degree				3

STL1350/..-3.5-H-BLACK-HT



Technical Data

Wire Size		Insulating Material	
Solid min	-	Material	LCP
Solid max	-	Flammability Class	UL 94 V-0
Stranded (flexible) min		Temperatures	
Stranded (flexible) max	-	Operating Temperature	-30 °C - 105 °C
Stranded with Ferrule min		Wave Soldering Process	
Stranded with Ferrule max	-	Soldering Temperature, recommended	265 °C
Dimensions		Peak Soldering Time, recommended	3-4 s
PCB Hole Diameter	1.3 mm	Reflow Process	
Materials		Soldering Temperature, recommended	217 °C - 245 °C
Contact Pin	Brass	Peak Soldering Time, recommended	60 s

Colours

■ BLACK, RAL 9011

Colours according to RAL, there may be variations on colour due to production conditions.

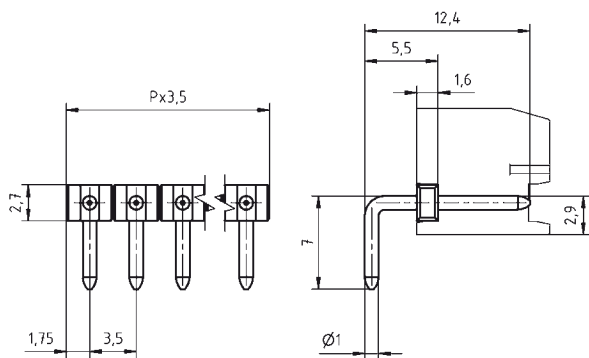
Counterparts (Spacing 5.0 mm)

Terminal Block

AK1350

Order Data (Spacing 3.5 mm)

Poles	Width (mm)	Article Designation	Article Number	PU
2	7.00	STL1350/2-3.5-H-BLACK-HT	51350025101E	100
3	10.50	STL1350/3-3.5-H-BLACK-HT	51350035101E	100
4	14.00	STL1350/4-3.5-H-BLACK-HT	51350045101E	100
5	17.50	STL1350/5-3.5-H-BLACK-HT	51350055101D	50
6	21.00	STL1350/6-3.5-H-BLACK-HT	51350065101D	50
7	24.50	STL1350/7-3.5-H-BLACK-HT	51350075101D	50
8	28.00	STL1350/8-3.5-H-BLACK-HT	51350085101D	50
9	31.50	STL1350/9-3.5-H-BLACK-HT	51350095101D	50
10	35.00	STL1350/10-3.5-H-BLACK-HT	51350105101D	50
11	38.50	STL1350/11-3.5-H-BLACK-HT	51350115101D	50
12	42.00	STL1350/12-3.5-H-BLACK-HT	51350125101D	50
13	45.50	STL1350/13-3.5-H-BLACK-HT	51350135101D	50
14	49.00	STL1350/14-3.5-H-BLACK-HT	51350145101D	50
15	52.50	STL1350/15-3.5-H-BLACK-HT	51350155101D	50
16	56.00	STL1350/16-3.5-H-BLACK-HT	51350165101D	50
17	59.50	STL1350/17-3.5-H-BLACK-HT	51350175101D	50
18	63.00	STL1350/18-3.5-H-BLACK-HT	51350185101D	50
19	66.50	STL1350/19-3.5-H-BLACK-HT	51350195101D	50
20	70.00	STL1350/20-3.5-H-BLACK-HT	51350205101D	50



Ratings



Usegroup	B	C	D
Rated Voltage	150 V	-	-
Rated Current	9 A	-	-
Overvoltage Category	III		
Test Voltage	1.3 kV	-	-
Pollution Degree	3		

STL1550/..G-3.5-V-GREEN STLZ1550/..G-3.81-V-GREEN



Technical Data

Wire Size		Insulating Material	
Solid min	-	Material	PA 6.6
Solid max	-	Flammability Class	UL 94 V-0
Stranded (flexible) min		Temperatures	
Stranded (flexible) max	-	Operating Temperature	-30 °C - 105 °C
Stranded with Ferrule min		Wave Soldering Process	
Stranded with Ferrule max	-	Soldering Temperature, recommended	265 °C
		Peak Soldering Time, recommended	3-4 s
Dimensions		Reflow Process	
PCB Hole Diameter	1.2 mm	Soldering Temperature, recommended	-
Materials		Peak Soldering Time, recommended	-
Contact Pin	Copper Alloy		

Colours

	GREEN, RAL 6018		BLACK, RAL 9011
	BASALT GREY, RAL 7012		LIGHT GREEN, similar RAL 6018

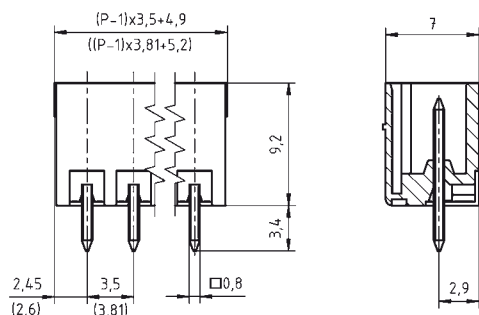
Colours according to RAL, there may be variations on colour due to production conditions. Special colours on request.

Counterparts (Spacing 3.5 mm)

Terminal Block			
AK1550	AK4551	AK1700	AK4561

Counterparts (Spacing 3.81 mm)

Terminal Block				
AKZ1550	AKZ1700	AKZ1710	AKZ4551	AKZ4561



Order Data (Spacing 3.5 mm)

Poles	Width (mm)	Article Designation	Article Number	PU
2	8.40	STL1550/2G-3.5-V-GREEN	51550025101F	200
3	11.90	STL1550/3G-3.5-V-GREEN	51550035101F	200
4	15.40	STL1550/4G-3.5-V-GREEN	51550045101F	200
5	18.90	STL1550/5G-3.5-V-GREEN	51550055101F	200
6	22.40	STL1550/6G-3.5-V-GREEN	51550065101E	100
7	25.90	STL1550/7G-3.5-V-GREEN	51550075101E	100
8	29.40	STL1550/8G-3.5-V-GREEN	51550085101D	50
9	32.90	STL1550/9G-3.5-V-GREEN	51550095101D	50
...
20	71.40	STL1550/20G-3.5-V-GREEN	51550205101D	50

Order Data (Spacing 3.81 mm)

Poles	Width (mm)	Article Designation	Article Number	PU
2	9.01	STLZ1550/2G-3.81-V-GREEN	51550025125F	200
3	12.82	STLZ1550/3G-3.81-V-GREEN	51550035125F	200
4	16.63	STLZ1550/4G-3.81-V-GREEN	51550045125F	200
5	20.44	STLZ1550/5G-3.81-V-GREEN	51550055125F	200
6	24.25	STLZ1550/6G-3.81-V-GREEN	51550065125E	100
7	28.06	STLZ1550/7G-3.81-V-GREEN	51550075125E	100
8	31.87	STLZ1550/8G-3.81-V-GREEN	51550085125D	50
9	35.68	STLZ1550/9G-3.81-V-GREEN	51550095125D	50
...
20	77.59	STLZ1550/20G-3.81-V-GREEN	51550205125D	50

Accessories

Figure	Designation	Article Number
	Coding Star CS1-3.5/3.81-RED	50000000023

See pages 214/215 for details and general accessories, and see pages 8/9 concerning services.

Ratings

Usegroup	C		D	
	B	C	D	
Rated Voltage	300 V	-	300 V	160 V
Rated Current	8 A	-	8 A	9 A
Overvoltage Category				III
Test Voltage	1.6 kV	-	1.6 kV	2.5 kV
Pollution Degree				3

STLZ1550/..G-3.81-V-BLACK-HT



Technical Data

Wire Size		Insulating Material	
Solid min	-	Material	LCP
Solid max	-	Flammability Class	UL 94 V-0
Stranded (flexible) min		Temperatures	
Stranded (flexible) max	-	Operating Temperature	-30 °C - 105 °C
Stranded with Ferrule min		Wave Soldering Process	
Stranded with Ferrule max	-	Soldering Temperature, recommended	265 °C
Dimensions		Peak Soldering Time, recommended	3-4 s
PCB Hole Diameter	1.2 mm	Reflow Process	
Materials		Soldering Temperature, recommended	217 °C - 245 °C
Contact Pin	Copper Alloy	Peak Soldering Time, recommended	60 s

Colours

■ BLACK, RAL 9011

Colours according to RAL, there may be variations on colour due to production conditions.


Counterparts (Spacing 3.81 mm)

Terminal Block				
AKZ1550	AKZ1700	AKZ1710	AKZ4551	AKZ4561

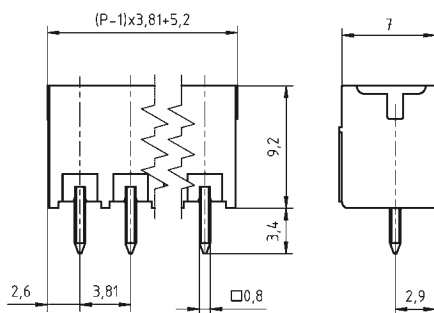
Order Data (Spacing 3.81 mm)

Poles	Width (mm)	Article Designation	Article Number	PU
2	9.01	STLZ1550/2G-3.81-V-BLACK-HT	51550025342 E	100
3	12.82	STLZ1550/3G-3.81-V-BLACK-HT	51550035342 E	100
4	16.63	STLZ1550/4G-3.81-V-BLACK-HT	51550045342 E	100
5	20.44	STLZ1550/5G-3.81-V-BLACK-HT	51550055342 D	50
6	24.25	STLZ1550/6G-3.81-V-BLACK-HT	51550065342 D	50
7	28.06	STLZ1550/7G-3.81-V-BLACK-HT	51550075342 D	50
8	31.87	STLZ1550/8G-3.81-V-BLACK-HT	51550085342 D	50
9	35.68	STLZ1550/9G-3.81-V-BLACK-HT	51550095342 D	50
...
12	47.11	STLZ1550/12G-3.81-V-BLACK-HT	51550125342 D	50

Accessories

Figure	Designation	Article Number
	Coding Star CS1-3.5/3.81-NATURAL-HT	50000000022

See pages 214/215 for details and general accessories, and see pages 8/9 concerning services.



Ratings



Usegroup	B	C	D	
Rated Voltage	300 V	-	300 V	160 V
Rated Current	8 A	-	8 A	9 A
Overvoltage Category				III
Test Voltage	1.6 kV	-	1.6 kV	2.5 kV
Pollution Degree				3

STL1550/..F-3.5-V-GREEN STLZ1550/..F-3.81-V-GREEN



Technical Data

Wire Size		Insulating Material	
Solid min	-	Material	PA 6.6
Solid max	-	Flammability Class	UL 94 V-0
Stranded (flexible) min		Temperatures	
Stranded (flexible) max	-	Operating Temperature	-30 °C - 105 °C
Stranded with Ferrule min		Wave Soldering Process	
Stranded with Ferrule max	-	Soldering Temperature, recommended	265 °C
Dimensions		Peak Soldering Time, recommended	3-4 s
PCB Hole Diameter	1.2 mm	Reflow Process	
Materials		Soldering Temperature, recommended	-
Thread Insert, Flange	Brass	Peak Soldering Time, recommended	-
Contact Pin	Copper Alloy		

Colours

	GREEN, RAL 6018		BLACK, RAL 9011
	BASALT GREY, RAL 7012		LIGHT GREEN, similar RAL 6018

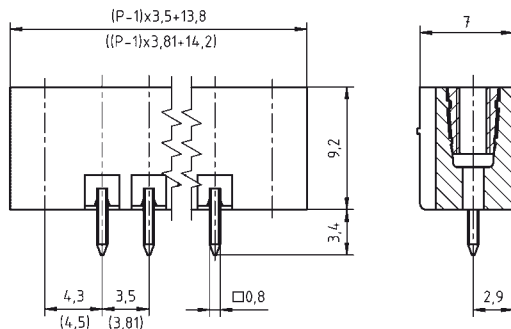
Colours according to RAL, there may be variations on colour due to production conditions. Special colours on request.

Counterparts (Spacing 3.5 mm)

Terminal Block			
AK1550	AK4551	AK1700	AK4561

Counterparts (Spacing 3.81 mm)

Terminal Block				
AKZ1550	AKZ1700	AKZ1710	AKZ4551	AKZ4561



Order Data (Spacing 3.5 mm)

Poles	Width (mm)	Article Designation	Article Number	PU
2	17.30	STL1550/2F-3.5-V-GREEN	51550026101E	100
3	20.80	STL1550/3F-3.5-V-GREEN	51550036101E	100
4	24.30	STL1550/4F-3.5-V-GREEN	51550046101E	100
5	27.80	STL1550/5F-3.5-V-GREEN	51550056101D	50
6	31.30	STL1550/6F-3.5-V-GREEN	51550066101D	50
7	34.80	STL1550/7F-3.5-V-GREEN	51550076101D	50
8	38.30	STL1550/8F-3.5-V-GREEN	51550086101D	50
9	41.80	STL1550/9F-3.5-V-GREEN	51550096101D	50
...
20	80.30	STL1550/20F-3.5-V-GREEN	51550206101D	50

Order Data (Spacing 3.81 mm)

Poles	Width (mm)	Article Designation	Article Number	PU
2	18.01	STLZ1550/2F-3.81-V-GREEN	51550026125E	100
3	21.82	STLZ1550/3F-3.81-V-GREEN	51550036125E	100
4	25.63	STLZ1550/4F-3.81-V-GREEN	51550046125E	100
5	29.44	STLZ1550/5F-3.81-V-GREEN	51550056125D	50
6	33.25	STLZ1550/6F-3.81-V-GREEN	51550066125D	50
7	37.06	STLZ1550/7F-3.81-V-GREEN	51550076125D	50
8	40.87	STLZ1550/8F-3.81-V-GREEN	51550086125D	50
9	44.68	STLZ1550/9F-3.81-V-GREEN	51550096125D	50
...
20	86.59	STLZ1550/20F-3.81-V-GREEN	51550206125D	50

Accessories

Figure	Designation	Article Number
	Coding Star CS1-3.5/3.81-RED	50000000023

See pages 214/215 for details and general accessories, and see pages 8/9 concerning services.

Ratings

Usegroup	C		D	
	B	C	D	
Rated Voltage	300 V	-	300 V	160 V
Rated Current	8 A	-	8 A	9 A
Overvoltage Category				III
Test Voltage	1.6 kV	-	1.6 kV	2.5 kV
Pollution Degree				3

STLZ1550/..F-3.81-V-BLACK-HT



Technical Data

Wire Size		Insulating Material	
Solid min	-	Material	LCP
Solid max	-	Flammability Class	UL 94 V-0
Stranded (flexible) min		Temperatures	
Stranded (flexible) max	-	Operating Temperature	-30 °C - 105 °C
Stranded with Ferrule min		Wave Soldering Process	
Stranded with Ferrule max	-	Soldering Temperature, recommended	265 °C
Dimensions		Peak Soldering Time, recommended	3-4 s
PCB Hole Diameter	1.2 mm	Reflow Process	
Materials		Soldering Temperature, recommended	217 °C - 245 °C
Thread Insert, Flange	Brass	Peak Soldering Time, recommended	60 s
Contact Pin	Copper Alloy		

Colours

■ BLACK, RAL 9011

Colours according to RAL, there may be variations on colour due to production conditions.


Counterparts (Spacing 3.81 mm)

Terminal Block				
AKZ1550	AKZ1700	AKZ1710	AKZ4551	AKZ4561

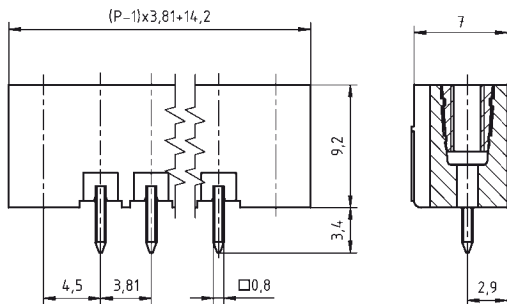
Order Data (Spacing 3.81 mm)

Poles	Width (mm)	Article Designation	Article Number	PU
2	18.01	STLZ1550/2F-3.81-V-BLACK-HT	51550026342E	100
3	21.82	STLZ1550/3F-3.81-V-BLACK-HT	51550036342E	100
4	25.63	STLZ1550/4F-3.81-V-BLACK-HT	51550046342E	100
5	29.44	STLZ1550/5F-3.81-V-BLACK-HT	51550056342E	100
6	33.25	STLZ1550/6F-3.81-V-BLACK-HT	51550066342D	50
7	37.06	STLZ1550/7F-3.81-V-BLACK-HT	51550076342D	50
8	40.87	STLZ1550/8F-3.81-V-BLACK-HT	51550086342D	50
9	44.68	STLZ1550/9F-3.81-V-BLACK-HT	51550096342D	50
10	48.49	STLZ1550/10F-3.81-V-BLACK-HT	51550106342D	50
11	52.30	STLZ1550/11F-3.81-V-BLACK-HT	51550116342D	50
12	56.11	STLZ1550/12F-3.81-V-BLACK-HT	51550126342D	50



Accessories

Figure	Designation	Article Number
	Coding Star CS1-3.5/3.81-NATURAL-HT	50000000022

See pages 214/215 for details and general accessories, and see pages 8/9 concerning services.



Ratings

Usegroup				
	B	C	D	
Rated Voltage	300 V	-	300 V	160 V
Rated Current	8 A	-	8 A	9 A
Overvoltage Category				III
Test Voltage	1.6 kV	-	1.6 kV	2.5 kV
Pollution Degree				3

STL1550/..G-3.5-H-GREEN STLZ1550/..G-3.81-H-GREEN



Technical Data

Wire Size		Insulating Material	
Solid min	-	Material	PA 6.6
Solid max	-	Flammability Class	UL 94 V-0
Stranded (flexible) min		Temperatures	
Stranded (flexible) max	-	Operating Temperature	-30 °C - 105 °C
Stranded with Ferrule min		Wave Soldering Process	
Stranded with Ferrule max	-	Soldering Temperature, recommended	265 °C
Dimensions		Peak Soldering Time, recommended	3-4 s
PCB Hole Diameter	1.2 mm	Reflow Process	
Materials		Soldering Temperature, recommended	-
Contact Pin	Copper Alloy	Peak Soldering Time, recommended	-

Colours

	GREEN, RAL 6018		BLACK, RAL 9011
	BASALT GREY, RAL 7012		LIGHT GREEN, similar RAL 6018

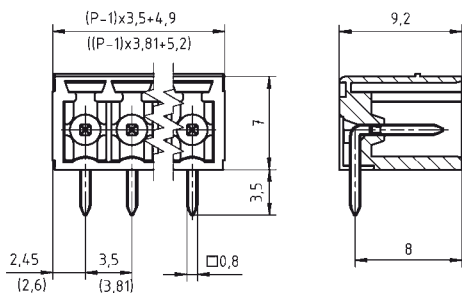
Colours according to RAL, there may be variations on colour due to production conditions. Special colours on request.

Counterparts (Spacing 3.5 mm)

Terminal Block			
AK1550	AK4551	AK1700	AK4561

Counterparts (Spacing 3.81 mm)

Terminal Block				
AKZ1550	AKZ1700	AKZ1710	AKZ4551	AKZ4561




Order Data (Spacing 3.5 mm)

Poles	Width (mm)	Article Designation	Article Number	PU
2	8.40	STL1550/2G-3.5-H-GREEN	51550025001F	200
3	11.90	STL1550/3G-3.5-H-GREEN	51550035001F	200
4	15.40	STL1550/4G-3.5-H-GREEN	51550045001F	200
5	18.90	STL1550/5G-3.5-H-GREEN	51550055001F	200
6	22.40	STL1550/6G-3.5-H-GREEN	51550065001E	100
7	25.90	STL1550/7G-3.5-H-GREEN	51550075001E	100
8	29.40	STL1550/8G-3.5-H-GREEN	51550085001D	50
9	32.90	STL1550/9G-3.5-H-GREEN	51550095001D	50
...
20	71.40	STL1550/20G-3.5-H-GREEN	51550205001D	50

Order Data (Spacing 3.81 mm)



Poles	Width (mm)	Article Designation	Article Number	PU
2	9.01	STLZ1550/2G-3.81-H-GREEN	51550025025F	200
3	12.82	STLZ1550/3G-3.81-H-GREEN	51550035025F	200
4	16.63	STLZ1550/4G-3.81-H-GREEN	51550045025F	200
5	20.44	STLZ1550/5G-3.81-H-GREEN	51550055025F	200
6	24.25	STLZ1550/6G-3.81-H-GREEN	51550065025E	100
7	28.06	STLZ1550/7G-3.81-H-GREEN	51550075025E	100
8	31.87	STLZ1550/8G-3.81-H-GREEN	51550085025D	50
9	35.68	STLZ1550/9G-3.81-H-GREEN	51550095025D	50
...
20	77.59	STLZ1550/20G-3.81-H-GREEN	51550205025D	50

Accessories

Figure	Designation	Article Number
	Coding Star CS1-3.5/3.81-RED	50000000023

See pages 214/215 for details and general accessories, and see pages 8/9 concerning services.

Ratings

Usegroup				
	B	C	D	
Rated Voltage	300 V	-	300 V	160 V
Rated Current	8 A	-	8 A	9 A
Overvoltage Category				III
Test Voltage	1.6 kV	-	1.6 kV	2.5 kV
Pollution Degree				3

STLZ1550/..G-3.81-H-BLACK-HT



Technical Data

Wire Size		Insulating Material	
Solid min	-	Material	LCP
Solid max	-	Flammability Class	UL 94 V-0
Stranded (flexible) min		Temperatures	
Stranded (flexible) max	-	Operating Temperature	-30 °C - 105 °C
Stranded with Ferrule min		Wave Soldering Process	
Stranded with Ferrule max	-	Soldering Temperature, recommended	265 °C
		Peak Soldering Time, recommended	3-4 s
Dimensions		Reflow Process	
PCB Hole Diameter	1.2 mm	Soldering Temperature, recommended	217 °C - 245 °C
Materials		Peak Soldering Time, recommended	60 s
Contact Pin	Copper Alloy		

Colours

■ BLACK, RAL 9011

Colours according to RAL, there may be variations on colour due to production conditions.


Counterparts (Spacing 3.81 mm)

Terminal Block				
AKZ1550	AKZ1700	AKZ1710	AKZ4551	AKZ4561

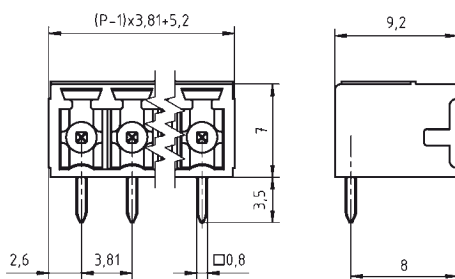
Order Data (Spacing 3.81 mm)

Poles	Width (mm)	Article Designation	Article Number	PU
2	9.01	STLZ1550/2G-3.81-H-BLACK-HT	51550025332E	100
3	12.82	STLZ1550/3G-3.81-H-BLACK-HT	51550035332E	100
4	16.63	STLZ1550/4G-3.81-H-BLACK-HT	51550045332E	100
5	20.44	STLZ1550/5G-3.81-H-BLACK-HT	51550055332D	50
6	24.25	STLZ1550/6G-3.81-H-BLACK-HT	51550065332D	50
7	28.06	STLZ1550/7G-3.81-H-BLACK-HT	51550075332D	50
8	31.87	STLZ1550/8G-3.81-H-BLACK-HT	51550085332D	50
9	35.68	STLZ1550/9G-3.81-H-BLACK-HT	51550095332D	50
10	39.49	STLZ1550/10G-3.81-H-BLACK-HT	51550105332D	50
11	43.30	STLZ1550/11G-3.81-H-BLACK-HT	51550115332D	50
12	47.11	STLZ1550/12G-3.81-H-BLACK-HT	51550125332D	50

Accessories

Figure	Designation	Article Number
	Coding Star CS1-3.5/3.81-NATURAL-HT	50000000022

See pages 214/215 for details and general accessories, and see pages 8/9 concerning services.

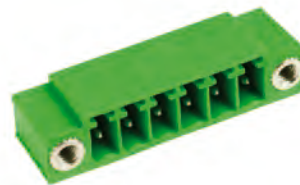


Ratings



Usegroup	B	C	D	
Rated Voltage	300 V	-	300 V	160 V
Rated Current	8 A	-	8 A	9 A
Overvoltage Category				III
Test Voltage	1.6 kV	-	1.6 kV	2.5 kV
Pollution Degree				3

STL1550/..F-3.5-H-GREEN STLZ1550/..F-3.81-H-GREEN



Technical Data

Wire Size		Insulating Material	
Solid min	-	Material	PA 6.6
Solid max	-	Flammability Class	UL 94 V-0
Stranded (flexible) min		Temperatures	
Stranded (flexible) max	-	Operating Temperature	-30 °C - 105 °C
Stranded with Ferrule min		Wave Soldering Process	
Stranded with Ferrule max	-	Soldering Temperature, recommended	265 °C
Dimensions		Peak Soldering Time, recommended	3-4 s
PCB Hole Diameter	1.2 mm	Reflow Process	
Materials		Soldering Temperature, recommended	-
Thread Insert, Flange	Brass	Peak Soldering Time, recommended	-
Contact Pin	Copper Alloy		

Colours

	GREEN, RAL 6018		BLACK, RAL 9011
	BASALT GREY, RAL 7012		LIGHT GREEN, similar RAL 6018

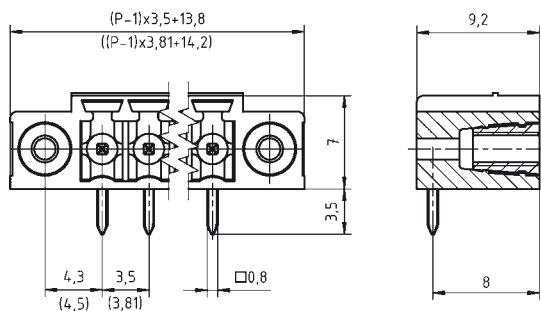
Colours according to RAL, there may be variations on colour due to production conditions. Special colours on request.

Counterparts (Spacing 3.5 mm)

Terminal Block			
AK1550	AK4551	AK1700	AK4561

Counterparts (Spacing 3.81 mm)

Terminal Block				
AKZ1550	AKZ1700	AKZ1710	AKZ4551	AKZ4561



Order Data (Spacing 3.5 mm)

Poles	Width (mm)	Article Designation	Article Number	PU
2	17.30	STL1550/2F-3.5-H-GREEN	51550026001E	100
3	20.80	STL1550/3F-3.5-H-GREEN	51550036001E	100
4	24.30	STL1550/4F-3.5-H-GREEN	51550046001E	100
5	27.80	STL1550/5F-3.5-H-GREEN	51550056001D	50
6	31.30	STL1550/6F-3.5-H-GREEN	51550066001D	50
7	34.80	STL1550/7F-3.5-H-GREEN	51550076001D	50
8	38.30	STL1550/8F-3.5-H-GREEN	51550086001D	50
9	41.80	STL1550/9F-3.5-H-GREEN	51550096001D	50
...
20	80.30	STL1550/20F-3.5-H-GREEN	51550206001D	50

Order Data (Spacing 3.81 mm)

Poles	Width (mm)	Article Designation	Article Number	PU
2	18.01	STLZ1550/2F-3.81-H-GREEN	51550026025E	100
3	21.82	STLZ1550/3F-3.81-H-GREEN	51550036025E	100
4	25.63	STLZ1550/4F-3.81-H-GREEN	51550046025E	100
5	29.44	STLZ1550/5F-3.81-H-GREEN	51550056025D	50
6	33.25	STLZ1550/6F-3.81-H-GREEN	51550066025D	50
7	37.06	STLZ1550/7F-3.81-H-GREEN	51550076025D	50
8	40.87	STLZ1550/8F-3.81-H-GREEN	51550086025D	50
9	44.68	STLZ1550/9F-3.81-H-GREEN	51550096025D	50
...
20	86.59	STLZ1550/20F-3.81-H-GREEN	51550206025D	50

Accessories

Figure	Designation	Article Number
	Coding Star CS1-3.5/3.81-RED	50000000023

See pages 214/215 for details and general accessories, and see pages 8/9 concerning services.

Ratings

Usegroup	C		D	
	B	C		
Rated Voltage	300 V	-	300 V	160 V
Rated Current	8 A	-	8 A	9 A
Overtoltage Category				III
Test Voltage	1.6 kV	-	1.6 kV	2.5 kV
Pollution Degree				3

STLZ1550/..F-3.81-H-BLACK-HT



Technical Data

Wire Size		Insulating Material	
Solid min	-	Material	LCP
Solid max	-	Flammability Class	UL 94 V-0
Stranded (flexible) min		Temperatures	
Stranded (flexible) max	-	Operating Temperature	-30 °C - 105 °C
Stranded with Ferrule min		Wave Soldering Process	
Stranded with Ferrule max	-	Soldering Temperature, recommended	265 °C
		Peak Soldering Time, recommended	3-4 s
Dimensions		Reflow Process	
PCB Hole Diameter	1.2 mm	Soldering Temperature, recommended	217 °C - 245 °C
Materials		Peak Soldering Time, recommended	60 s
Thread Insert, Flange	Brass		
Contact Pin	Copper Alloy		

Colours

■ BLACK, RAL 9011

Colours according to RAL, there may be variations on colour due to production conditions.


Counterparts (Spacing 3.81 mm)

Terminal Block			
AKZ1550	AKZ1700	AKZ1710	AKZ4551

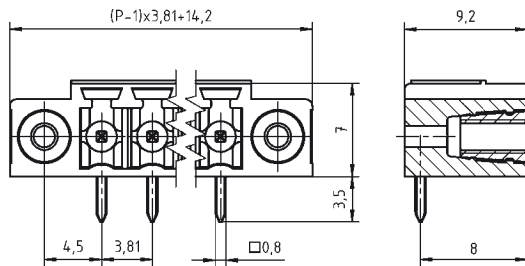
Order Data (Spacing 3.81 mm)

Poles	Width (mm)	Article Designation	Article Number	PU
2	18.01	STLZ1550/2F-3.81-H-BLACK-HT	51550026332E	100
3	21.82	STLZ1550/3F-3.81-H-BLACK-HT	51550036332E	100
4	25.63	STLZ1550/4F-3.81-H-BLACK-HT	51550046332E	100
5	29.44	STLZ1550/5F-3.81-H-BLACK-HT	51550056332E	100
6	33.25	STLZ1550/6F-3.81-H-BLACK-HT	51550066332D	50
7	37.06	STLZ1550/7F-3.81-H-BLACK-HT	51550076332D	50
8	40.87	STLZ1550/8F-3.81-H-BLACK-HT	51550086332D	50
9	44.68	STLZ1550/9F-3.81-H-BLACK-HT	51550096332D	50
10	48.49	STLZ1550/10F-3.81-H-BLACK-HT	51550106332D	50
11	52.30	STLZ1550/11F-3.81-H-BLACK-HT	51550116332D	50
12	56.11	STLZ1550/12F-3.81-H-BLACK-HT	51550126332D	50


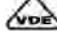
Accessories

Figure	Designation	Article Number
	Coding Star CS1-3.5/3.81-NATURAL-HT	50000000022

See pages 214/215 for details and general accessories, and see pages 8/9 concerning services.



Ratings

Usegroup	c 			
	B	C	D	
Rated Voltage	300 V	-	300 V	160 V
Rated Current	8 A	-	8 A	9 A
Overvoltage Category				III
Test Voltage	1.6 kV	-	1.6 kV	2.5 kV
Pollution Degree				3

STLZ1570/..G-3.81-V-GREEN



Technical Data

Wire Size		Insulating Material	
Solid min	-	Material	PBT
Solid max	-	Flammability Class	UL 94 V-0
Stranded (flexible) min		Temperatures	
Stranded (flexible) max	-	Operating Temperature	-30 °C - 105 °C
Stranded with Ferrule min		Wave Soldering Process	
Stranded with Ferrule max	-	Soldering Temperature, recommended	265 °C
Dimensions		Peak Soldering Time, recommended	3-4 s
PCB Hole Diameter	1.2 mm	Reflow Process	
Materials		Soldering Temperature, recommended	-
Contact Pin	Copper Alloy	Peak Soldering Time, recommended	-

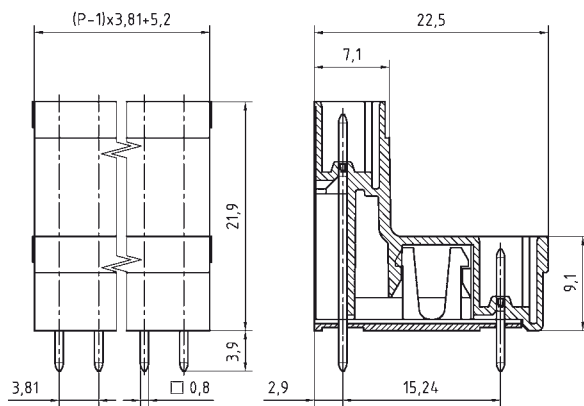
Colours

- GREEN, RAL 6018
- LIGHT GREEN, similar RAL 6018

Colours according to RAL, there may be variations on colour due to production conditions. Special colours on request.

Counterparts (Spacing 3.81 mm)


Terminal Block				
AKZ1550	AKZ1700	AKZ1710	AKZ4551	AKZ4561



Order Data (Spacing 3.81 mm)

Poles	Width (mm)	Article Designation	Article Number	PU
2	9.01	STLZ1570/2G-3.81-V-GREEN	51570025121E	100
3	12.82	STLZ1570/3G-3.81-V-GREEN	51570035121E	100
4	16.63	STLZ1570/4G-3.81-V-GREEN	51570045121E	100
5	20.44	STLZ1570/5G-3.81-V-GREEN	51570055121E	100
6	24.25	STLZ1570/6G-3.81-V-GREEN	51570065121E	100
7	28.06	STLZ1570/7G-3.81-V-GREEN	51570075121D	50
8	31.87	STLZ1570/8G-3.81-V-GREEN	51570085121D	50
9	35.68	STLZ1570/9G-3.81-V-GREEN	51570095121D	50
10	39.49	STLZ1570/10G-3.81-V-GREEN	51570105121D	50
11	43.30	STLZ1570/11G-3.81-V-GREEN	51570115121D	50
12	47.11	STLZ1570/12G-3.81-V-GREEN	51570125121D	50
13	50.92	STLZ1570/13G-3.81-V-GREEN	51570135121D	50
14	54.73	STLZ1570/14G-3.81-V-GREEN	51570145121D	50
15	58.54	STLZ1570/15G-3.81-V-GREEN	51570155121D	50
16	62.35	STLZ1570/16G-3.81-V-GREEN	51570165121D	50
17	66.16	STLZ1570/17G-3.81-V-GREEN	51570175121D	50
18	69.97	STLZ1570/18G-3.81-V-GREEN	51570185121D	50
19	73.78	STLZ1570/19G-3.81-V-GREEN	51570195121D	50
20	77.59	STLZ1570/20G-3.81-V-GREEN	51570205121D	50

Accessories

Figure	Designation	Article Number
	Coding Star CS1-3.5/3.81-RED	50000000023

See pages 214/215 for details and general accessories, and see pages 8/9 concerning services.

Ratings

Usegroup	UL		VDE	
	B	C	D	
Rated Voltage	300 V	-	300 V	160 V
Rated Current	8 A	-	8 A	9 A
Overvoltage Category				III
Test Voltage	1.6 kV	-	1.6 kV	2.5 kV
Pollution Degree				3

STLZ1570/..G-3.81-H-GREEN



Technical Data

Wire Size		Insulating Material	
Solid min	-	Material	PBT
Solid max	-	Flammability Class	UL 94 V-0
Stranded (flexible) min		Temperatures	
Stranded (flexible) max	-	Operating Temperature	-30 °C - 105 °C
Stranded with Ferrule min		Wave Soldering Process	
Stranded with Ferrule max	-	Soldering Temperature, recommended	265 °C
		Peak Soldering Time, recommended	3-4 s
Dimensions		Reflow Process	
PCB Hole Diameter	1.2 mm	Soldering Temperature, recommended	-
Materials		Peak Soldering Time, recommended	-
Contact Pin	Copper Alloy		

Colours

GREEN, RAL 6018
 LIGHT GREEN, similar RAL 6018

Colours according to RAL, there may be variations on colour due to production conditions. Special colours on request.


Counterparts (Spacing 3.81 mm)

Terminal Block				
AKZ1550	AKZ1700	AKZ1710	AKZ4551	AKZ4561

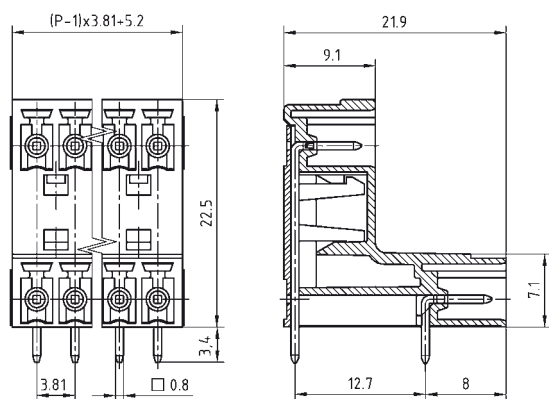
Order Data (Spacing 3.81 mm)

Poles	Width (mm)	Article Designation	Article Number	PU
2	9.01	STLZ1570/2G-3.81-H-GREEN	51570025021E	100
3	12.82	STLZ1570/3G-3.81-H-GREEN	51570035021E	100
4	16.63	STLZ1570/4G-3.81-H-GREEN	51570045021E	100
5	20.44	STLZ1570/5G-3.81-H-GREEN	51570055021E	100
6	24.25	STLZ1570/6G-3.81-H-GREEN	51570065021E	100
7	28.06	STLZ1570/7G-3.81-H-GREEN	51570075021D	50
8	31.87	STLZ1570/8G-3.81-H-GREEN	51570085021D	50
9	35.68	STLZ1570/9G-3.81-H-GREEN	51570095021D	50
10	39.49	STLZ1570/10G-3.81-H-GREEN	51570105021D	50
11	43.30	STLZ1570/11G-3.81-H-GREEN	51570115021D	50
12	47.11	STLZ1570/12G-3.81-H-GREEN	51570125021D	50
13	50.92	STLZ1570/13G-3.81-H-GREEN	51570135021D	50
14	54.73	STLZ1570/14G-3.81-H-GREEN	51570145021D	50
15	58.54	STLZ1570/15G-3.81-H-GREEN	51570155021D	50
16	62.35	STLZ1570/16G-3.81-H-GREEN	51570165021D	50
17	66.16	STLZ1570/17G-3.81-H-GREEN	51570175021D	50
18	69.97	STLZ1570/18G-3.81-H-GREEN	51570185021D	50
19	73.78	STLZ1570/19G-3.81-H-GREEN	51570195021D	50
20	77.59	STLZ1570/20G-3.81-H-GREEN	51570205021D	50



Accessories

Figure	Designation	Article Number
	Coding Star CS1-3.5/3.81-RED	50000000023

See pages 214/215 for details and general accessories, and see pages 8/9 concerning services.



Ratings

				
Usegroup	B	C	D	
Rated Voltage	300 V	-	300 V	160 V
Rated Current	8 A	-	8 A	9 A
Overvoltage Category				III
Test Voltage	1.6 kV	-	1.6 kV	2.5 kV
Pollution Degree				3

STLZ1570/..F-3.81-V-GREEN



Technical Data

Wire Size		Insulating Material	
Solid min	-	Material	PBT
Solid max	-	Flammability Class	UL 94 V-0
Stranded (flexible) min		Temperatures	
Stranded (flexible) max	-	Operating Temperature	-30 °C - 105 °C
Stranded with Ferrule min		Wave Soldering Process	
Stranded with Ferrule max	-	Soldering Temperature, recommended	265 °C
		Peak Soldering Time, recommended	3-4 s
Dimensions		Reflow Process	
PCB Hole Diameter	1.2 mm	Soldering Temperature, recommended	-
Materials		Peak Soldering Time, recommended	-
Thread Insert, Flange	Brass		
Contact Pin	Copper Alloy		

Colours

- GREEN, RAL 6018
- LIGHT GREEN, similar RAL 6018

Colours according to RAL, there may be variations on colour due to production conditions. Special colours on request.


Counterparts (Spacing 3.81 mm)

Terminal Block				
AKZ1550	AKZ1700	AKZ1710	AKZ4551	AKZ4561

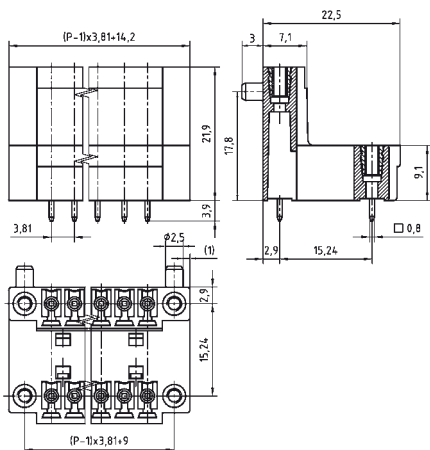
Order Data (Spacing 3.81 mm)

Poles	Width (mm)	Article Designation	Article Number	PU
2	18.01	STLZ1570/2F-3.81-V-GREEN	51570026121D	50
3	21.82	STLZ1570/3F-3.81-V-GREEN	51570036121D	50
4	25.63	STLZ1570/4F-3.81-V-GREEN	51570046121D	50
5	29.44	STLZ1570/5F-3.81-V-GREEN	51570056121D	50
6	33.25	STLZ1570/6F-3.81-V-GREEN	51570066121D	50
7	37.06	STLZ1570/7F-3.81-V-GREEN	51570076121D	50
8	40.87	STLZ1570/8F-3.81-V-GREEN	51570086121D	50
9	44.68	STLZ1570/9F-3.81-V-GREEN	51570096121D	50
10	48.49	STLZ1570/10F-3.81-V-GREEN	51570106121D	50
11	52.30	STLZ1570/11F-3.81-V-GREEN	51570116121D	50
12	56.11	STLZ1570/12F-3.81-V-GREEN	51570126121D	50
13	59.92	STLZ1570/13F-3.81-V-GREEN	51570136121D	50
14	63.73	STLZ1570/14F-3.81-V-GREEN	51570146121D	50
15	67.54	STLZ1570/15F-3.81-V-GREEN	51570156121D	50
16	71.35	STLZ1570/16F-3.81-V-GREEN	51570166121D	50
17	75.16	STLZ1570/17F-3.81-V-GREEN	51570176121D	50
18	78.97	STLZ1570/18F-3.81-V-GREEN	51570186121D	50
19	82.78	STLZ1570/19F-3.81-V-GREEN	51570196121D	50
20	86.59	STLZ1570/20F-3.81-V-GREEN	51570206121D	50



Accessories

Figure	Designation	Article Number
	Coding Star CS1-3.5/3.81-RED	50000000023

See pages 214/215 for details and general accessories, and see pages 8/9 concerning services.



Ratings

Usegroup					
	B	C	D		
Rated Voltage	300 V	-	300 V		160 V
Rated Current	8 A	-	8 A		9 A
Overvoltage Category					III
Test Voltage	1.6 kV	-	1.6 kV		2.5 kV
Pollution Degree					3

STLZ1570/..F-3.81-H-GREEN



Technical Data

Wire Size		Insulating Material	
Solid min	-	Material	PBT
Solid max	-	Flammability Class	UL 94 V-0
Stranded (flexible) min		Temperatures	
Stranded (flexible) max	-	Operating Temperature	-30 °C - 105 °C
Stranded with Ferrule min		Wave Soldering Process	
Stranded with Ferrule max	-	Soldering Temperature, recommended	265 °C
		Peak Soldering Time, recommended	3-4 s
Dimensions		Reflow Process	
PCB Hole Diameter	1.2 mm	Soldering Temperature, recommended	-
Materials		Peak Soldering Time, recommended	-
Thread Insert, Flange	Brass		
Contact Pin	Copper Alloy		

Colours

 GREEN, RAL 6018  LIGHT GREEN, similar RAL 6018

Colours according to RAL, there may be variations on colour due to production conditions. Special colours on request.


Counterparts (Spacing 3.81 mm)

Terminal Block				
AKZ1550	AKZ1700	AKZ1710	AKZ4551	AKZ4561

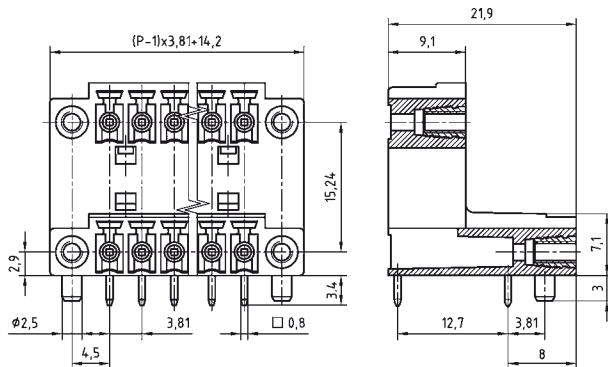
Order Data (Spacing 3.81 mm)

Poles	Width (mm)	Article Designation	Article Number	PU
2	18.01	STLZ1570/2F-3.81-H-GREEN	51570026021D	50
3	21.82	STLZ1570/3F-3.81-H-GREEN	51570036021D	50
4	25.63	STLZ1570/4F-3.81-H-GREEN	51570046021D	50
5	29.44	STLZ1570/5F-3.81-H-GREEN	51570056021D	50
6	33.25	STLZ1570/6F-3.81-H-GREEN	51570066021D	50
7	37.06	STLZ1570/7F-3.81-H-GREEN	51570076021D	50
8	40.87	STLZ1570/8F-3.81-H-GREEN	51570086021D	50
9	44.68	STLZ1570/9F-3.81-H-GREEN	51570096021D	50
10	48.49	STLZ1570/10F-3.81-H-GREEN	51570106021D	50
11	52.30	STLZ1570/11F-3.81-H-GREEN	51570116021D	50
12	56.11	STLZ1570/12F-3.81-H-GREEN	51570126021D	50
13	59.92	STLZ1570/13F-3.81-H-GREEN	51570136021D	50
14	63.73	STLZ1570/14F-3.81-H-GREEN	51570146021D	50
15	67.54	STLZ1570/15F-3.81-H-GREEN	51570156021D	50
16	71.35	STLZ1570/16F-3.81-H-GREEN	51570166021D	50
17	75.16	STLZ1570/17F-3.81-H-GREEN	51570176021D	50
18	78.97	STLZ1570/18F-3.81-H-GREEN	51570186021D	50
19	82.78	STLZ1570/19F-3.81-H-GREEN	51570196021D	50
20	86.59	STLZ1570/20F-3.81-H-GREEN	51570206021D	50



Accessories

Figure	Designation	Article Number
	Coding Star CS1-3.5/3.81-RED	50000000023

See pages 214/215 for details and general accessories, and see pages 8/9 concerning services.



Ratings

Usegroup				
	B	C	D	
Rated Voltage	300 V	-	300 V	160 V
Rated Current	8 A	-	8 A	9 A
Overvoltage Category				III
Test Voltage	1.6 kV	-	1.6 kV	2.5 kV
Pollution Degree				3

STLZ1590/..G-3.81-GREEN



Technical Data

Wire Size		Insulating Material	
Solid min	-	Material	PBT
Solid max	-	Flammability Class	UL 94 V-0
Stranded (flexible) min		Temperatures	
Stranded (flexible) max		Operating Temperature	-30 °C - 105 °C
Stranded with Ferrule min		Wave Soldering Process	
Stranded with Ferrule max		Soldering Temperature, recommended	265 °C
Dimensions		Peak Soldering Time, recommended	3-4 s
PCB Hole Diameter	1.2 mm	Reflow Process	
Materials		Soldering Temperature, recommended	-
Contact Pin	Copper Alloy	Peak Soldering Time, recommended	-

Colours

 GREEN, RAL 6018  LIGHT GREEN, similar RAL 6018

Colours according to RAL, there may be variations on colour due to production conditions. Special colours on request.


Counterparts (Spacing 3.81 mm)

Terminal Block				
AKZ1550	AKZ1700	AKZ1710	AKZ4551	AKZ4561

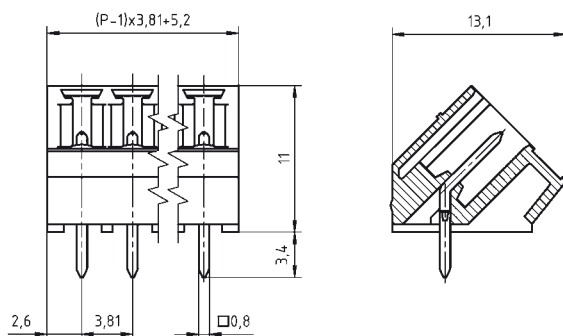
Order Data (Spacing 3.81 mm)

Poles	Width (mm)	Article Designation	Article Number	PU
2	9.01	STLZ1590/2G-3.81-GREEN	51590025121F	200
3	12.82	STLZ1590/3G-3.81-GREEN	51590035121F	200
4	16.63	STLZ1590/4G-3.81-GREEN	51590045121F	200
5	20.44	STLZ1590/5G-3.81-GREEN	51590055121F	200
6	24.25	STLZ1590/6G-3.81-GREEN	51590065121E	100
7	28.06	STLZ1590/7G-3.81-GREEN	51590075121E	100
8	31.87	STLZ1590/8G-3.81-GREEN	51590085121D	50
9	35.68	STLZ1590/9G-3.81-GREEN	51590095121D	50
10	39.49	STLZ1590/10G-3.81-GREEN	51590105121D	50
11	43.30	STLZ1590/11G-3.81-GREEN	51590115121D	50
12	47.11	STLZ1590/12G-3.81-GREEN	51590125121D	50
13	50.92	STLZ1590/13G-3.81-GREEN	51590135121D	50
14	54.73	STLZ1590/14G-3.81-GREEN	51590145121D	50
15	58.54	STLZ1590/15G-3.81-GREEN	51590155121D	50
16	62.35	STLZ1590/16G-3.81-GREEN	51590165121D	50
17	66.16	STLZ1590/17G-3.81-GREEN	51590175121D	50
18	69.97	STLZ1590/18G-3.81-GREEN	51590185121D	50
19	73.78	STLZ1590/19G-3.81-GREEN	51590195121D	50
20	77.59	STLZ1590/20G-3.81-GREEN	51590205121D	50

Accessories

Figure	Designation	Article Number
	Coding Star CS1-3.5/3.81-RED	5000000023

See pages 214/215 for details and general accessories, and see pages 8/9 concerning services.



Ratings

Usegroup	UL US		VDE	
	B	C	D	
Rated Voltage	300 V	-	300 V	160 V
Rated Current	8 A	-	8 A	9 A
Overvoltage Category				III
Test Voltage	1.6 kV	-	1.6 kV	2.5 kV
Pollution Degree				3

STL130/..-5.0-V-BLACK STLZ130/..-5.08-V-BLACK



Technical Data

Wire Size		Insulating Material	
Solid min	-	Material	PA 6.6
Solid max	-	Flammability Class	UL 94 V-0
Stranded (flexible) min		Temperatures	
Stranded (flexible) max	-	Operating Temperature	-30 °C - 105 °C
Stranded with Ferrule min		Wave Soldering Process	
Stranded with Ferrule max	-	Soldering Temperature, recommended	265 °C
		Peak Soldering Time, recommended	3-4 s
Dimensions		Reflow Process	
PCB Hole Diameter	1.5 mm	Soldering Temperature, recommended	-
Materials		Peak Soldering Time, recommended	-
Contact Pin	Brass		

Colours

 BLACK, RAL 9011	 GREEN, RAL 6018
 BLUE, RAL 5015	

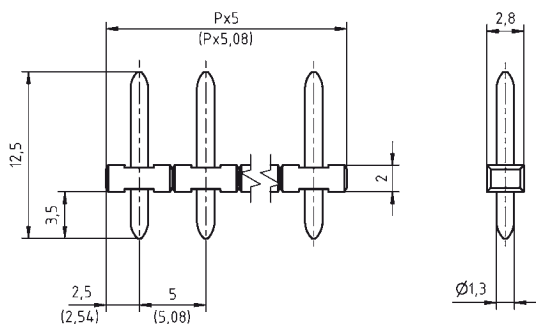
Colours according to RAL, there may be variations on colour due to production conditions. Special colours on request.

Counterparts (Spacing 5.0 mm)

Terminal Block
AK130

Counterparts (Spacing 5.08 mm)

Terminal Block
AKZ130



Order Data (Spacing 5.0 mm)

Poles	Width (mm)	Article Designation	Article Number	PU
2	10.00	STL130/2-5.0-V-BLACK	50130025001H	500
3	15.00	STL130/3-5.0-V-BLACK	50130035001H	500
4	20.00	STL130/4-5.0-V-BLACK	50130045001H	500
5	25.00	STL130/5-5.0-V-BLACK	50130055001G	250
6	30.00	STL130/6-5.0-V-BLACK	50130065001G	250
7	35.00	STL130/7-5.0-V-BLACK	50130075001G	250
8	40.00	STL130/8-5.0-V-BLACK	50130085001E	100
9	45.00	STL130/9-5.0-V-BLACK	50130095001E	100
...
24	120.00	STL130/24-5.0-V-BLACK	50130245001D	50

Order Data (Spacing 5.08 mm)

Poles	Width (mm)	Article Designation	Article Number	PU
2	10.16	STLZ130/2-5.08-V-BLACK	50130025051H	500
3	15.24	STLZ130/3-5.08-V-BLACK	50130035051H	500
4	20.32	STLZ130/4-5.08-V-BLACK	50130045051H	500
5	25.40	STLZ130/5-5.08-V-BLACK	50130055051G	250
6	30.48	STLZ130/6-5.08-V-BLACK	50130065051G	250
7	35.56	STLZ130/7-5.08-V-BLACK	50130075051G	250
8	40.64	STLZ130/8-5.08-V-BLACK	50130085051E	100
9	45.72	STLZ130/9-5.08-V-BLACK	50130095051E	100
...
24	121.92	STLZ130/24-5.08-V-BLACK	50130245051D	50

Ratings

Usegroup	c ALUS			VDE
	B	C	D	
Rated Voltage	300 V	150 V	300 V	250 V
Rated Current	10 A	10 A	10 A	7 A
Overvoltage Category				III
Test Voltage	1.6 kV	1.6 kV	1.6 kV	4.0 kV
Pollution Degree				3

STL130/..-5.0-V-BLACK-HT



Technical Data

Wire Size		Insulating Material	
Solid min	-	Material	LCP
Solid max	-	Flammability Class	UL 94 V-0
Stranded (flexible) min	-	Temperatures	
Stranded (flexible) max	-	Operating Temperature	-30 °C - 105 °C
Stranded with Ferrule min	-	Wave Soldering Process	
Stranded with Ferrule max	-	Soldering Temperature, recommended	265 °C
Dimensions		Peak Soldering Time, recommended	3-4 s
PCB Hole Diameter	1.5 mm	Reflow Process	
Materials		Soldering Temperature, recommended	217 °C - 245 °C
Contact Pin	Brass	Peak Soldering Time, recommended	60 s

Colours

■ BLACK, RAL 9011

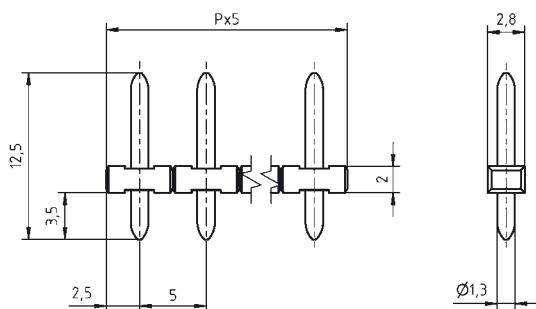
Colours according to RAL, there may be variations on colour due to production conditions.

Counterparts (Spacing 5.0 mm)



Terminal Block
AK130

Order Data (Spacing 5.0 mm)

Poles	Width (mm)	Article Designation	Article Number	PU
2	10.00	STL130/2-5.0-V-BLACK-HT	50130025031F	200
3	15.00	STL130/3-5.0-V-BLACK-HT	50130035031F	200
4	20.00	STL130/4-5.0-V-BLACK-HT	50130045031F	200
5	25.00	STL130/5-5.0-V-BLACK-HT	50130055031E	100
6	30.00	STL130/6-5.0-V-BLACK-HT	50130065031E	100
7	35.00	STL130/7-5.0-V-BLACK-HT	50130075031E	100
8	40.00	STL130/8-5.0-V-BLACK-HT	50130085031D	50
9	45.00	STL130/9-5.0-V-BLACK-HT	50130095031D	50
10	50.00	STL130/10-5.0-V-BLACK-HT	50130105031D	50
11	55.00	STL130/11-5.0-V-BLACK-HT	50130115031D	50
12	60.00	STL130/12-5.0-V-BLACK-HT	50130125031D	50
13	65.00	STL130/13-5.0-V-BLACK-HT	50130135031D	50
14	70.00	STL130/14-5.0-V-BLACK-HT	50130145031D	50
15	75.00	STL130/15-5.0-V-BLACK-HT	50130155031D	50
16	80.00	STL130/16-5.0-V-BLACK-HT	50130165031D	50
17	85.00	STL130/17-5.0-V-BLACK-HT	50130175031D	50
18	90.00	STL130/18-5.0-V-BLACK-HT	50130185031D	50
19	95.00	STL130/19-5.0-V-BLACK-HT	50130195031D	50
20	100.00	STL130/20-5.0-V-BLACK-HT	50130205031D	50
21	105.00	STL130/21-5.0-V-BLACK-HT	50130215031D	50
22	110.00	STL130/22-5.0-V-BLACK-HT	50130225031D	50
23	115.00	STL130/23-5.0-V-BLACK-HT	50130235031D	50
24	120.00	STL130/24-5.0-V-BLACK-HT	50130245031D	50



Ratings

Usegroup				
	B	C	D	
Rated Voltage	300 V	150 V	300 V	200 V
Rated Current	10 A	10 A	10 A	7 A
Overvoltage Category				III
Test Voltage	1.6 kV	1.6 kV	1.6 kV	4.0 kV
Pollution Degree				2

STL132/..-5.0-V-BLACK



Technical Data

Wire Size		Insulating Material	
Solid min	-	Material	PA 6.6
Solid max	-	Flammability Class	UL 94 V-0
Stranded (flexible) min		Temperatures	
Stranded (flexible) max	-	Operating Temperature	-30 °C - 105 °C
Stranded with Ferrule min		Wave Soldering Process	
Stranded with Ferrule max	-	Soldering Temperature, recommended	265 °C
Dimensions		Peak Soldering Time, recommended	3-4 s
PCB Hole Diameter	1.2 mm	Reflow Process	
Materials		Soldering Temperature, recommended	-
Contact Pin	Brass	Peak Soldering Time, recommended	-

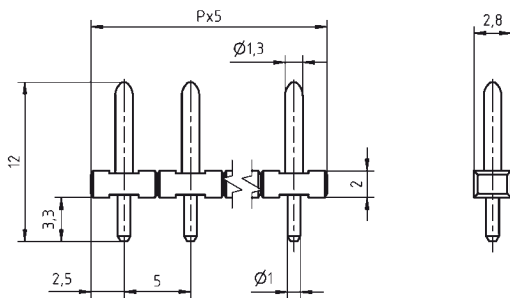
Colours

■ BLACK, RAL 9011

Colours according to RAL, there may be variations on colour due to production conditions. Special colours on request.

Counterparts (Spacing 5.0 mm)

Terminal Block
AK130



Order Data (Spacing 5.0 mm)

Poles	Width (mm)	Article Designation	Article Number	PU
2	10.00	STL132/2-5.0-V-BLACK	50132025001H	500
3	15.00	STL132/3-5.0-V-BLACK	50132035001H	500
4	20.00	STL132/4-5.0-V-BLACK	50132045001H	500
5	25.00	STL132/5-5.0-V-BLACK	50132055001G	250
6	30.00	STL132/6-5.0-V-BLACK	50132065001G	250
7	35.00	STL132/7-5.0-V-BLACK	50132075001G	250
8	40.00	STL132/8-5.0-V-BLACK	50132085001E	100
9	45.00	STL132/9-5.0-V-BLACK	50132095001E	100
10	50.00	STL132/10-5.0-V-BLACK	50132105001E	100
11	55.00	STL132/11-5.0-V-BLACK	50132115001E	100
12	60.00	STL132/12-5.0-V-BLACK	50132125001E	100
13	65.00	STL132/13-5.0-V-BLACK	50132135001E	100
14	70.00	STL132/14-5.0-V-BLACK	50132145001E	100
15	75.00	STL132/15-5.0-V-BLACK	50132155001E	100
16	80.00	STL132/16-5.0-V-BLACK	50132165001E	100
17	85.00	STL132/17-5.0-V-BLACK	50132175001D	50
18	90.00	STL132/18-5.0-V-BLACK	50132185001D	50
19	95.00	STL132/19-5.0-V-BLACK	50132195001D	50
20	100.00	STL132/20-5.0-V-BLACK	50132205001D	50
21	105.00	STL132/21-5.0-V-BLACK	50132215001D	50
22	110.00	STL132/22-5.0-V-BLACK	50132225001D	50
23	115.00	STL132/23-5.0-V-BLACK	50132235001D	50
24	120.00	STL132/24-5.0-V-BLACK	50132245001D	50

Ratings



Usegroup	B	C	D	
Rated Voltage	300 V	-	300 V	250 V
Rated Current	10 A	-	10 A	7 A
Overvoltage Category				III
Test Voltage	1.6 kV	-	1.6 kV	4.0 kV
Pollution Degree				3

STL132/..-5.0-V-BLACK-HT



Technical Data

Wire Size		Insulating Material	
Solid min	-	Material	LCP
Solid max	-	Flammability Class	UL 94 V-0
Stranded (flexible) min		Temperatures	
Stranded (flexible) max	-	Operating Temperature	-30 °C - 105 °C
Stranded with Ferrule min		Wave Soldering Process	
Stranded with Ferrule max	-	Soldering Temperature, recommended	265 °C
Dimensions		Peak Soldering Time, recommended	3-4 s
PCB Hole Diameter	1.2 mm	Reflow Process	
Materials		Soldering Temperature, recommended	217 °C - 245 °C
Contact Pin	Brass	Peak Soldering Time, recommended	60 s

Colours

■ BLACK, RAL 9011

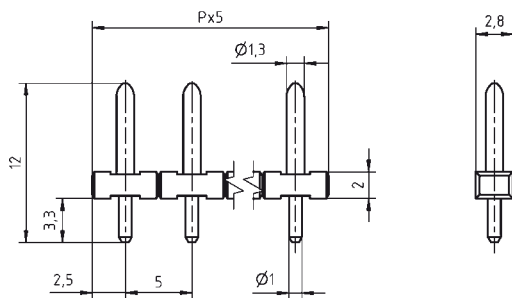
Colours according to RAL, there may be variations on colour due to production conditions.

Counterparts (Spacing 5.0 mm)

Terminal Block
AK130

Order Data (Spacing 5.0 mm)

Poles	Width (mm)	Article Designation	Article Number	PU
2	10.00	STL132/2-5.0-V-BLACK-HT	50132025031H	500
3	15.00	STL132/3-5.0-V-BLACK-HT	50132035031H	500
4	20.00	STL132/4-5.0-V-BLACK-HT	50132045031H	500
5	25.00	STL132/5-5.0-V-BLACK-HT	50132055031G	250
6	30.00	STL132/6-5.0-V-BLACK-HT	50132065031G	250
7	35.00	STL132/7-5.0-V-BLACK-HT	50132075031G	250
8	40.00	STL132/8-5.0-V-BLACK-HT	50132085031E	100
9	45.00	STL132/9-5.0-V-BLACK-HT	50132095031E	100
10	50.00	STL132/10-5.0-V-BLACK-HT	50132105031E	100
11	55.00	STL132/11-5.0-V-BLACK-HT	50132115031E	100
12	60.00	STL132/12-5.0-V-BLACK-HT	50132125031E	100
13	65.00	STL132/13-5.0-V-BLACK-HT	50132135031E	100
14	70.00	STL132/14-5.0-V-BLACK-HT	50132145031E	100
15	75.00	STL132/15-5.0-V-BLACK-HT	50132155031E	100
16	80.00	STL132/16-5.0-V-BLACK-HT	50132165031E	100
17	85.00	STL132/17-5.0-V-BLACK-HT	50132175031D	50
18	90.00	STL132/18-5.0-V-BLACK-HT	50132185031D	50
19	95.00	STL132/19-5.0-V-BLACK-HT	50132195031D	50
20	100.00	STL132/20-5.0-V-BLACK-HT	50132205031D	50
21	105.00	STL132/21-5.0-V-BLACK-HT	50132215031D	50
22	110.00	STL132/22-5.0-V-BLACK-HT	50132225031D	50
23	115.00	STL132/23-5.0-V-BLACK-HT	50132235031D	50
24	120.00	STL132/24-5.0-V-BLACK-HT	50132245031D	50



Ratings



Usegroup	B	C	D	
Rated Voltage	300 V	-	300 V	200 V
Rated Current	10 A	-	10 A	7 A
Overvoltage Category				III
Test Voltage	1.6 kV	-	1.6 kV	4.0 kV
Pollution Degree				2

STL133/..-5.0-V-BLACK



Technical Data

Wire Size		Insulating Material	
Solid min	-	Material	PA 6.6
Solid max	-	Flammability Class	UL 94 V-0
Stranded (flexible) min		Temperatures	
Stranded (flexible) max	-	Operating Temperature	-30 °C - 105 °C
Stranded with Ferrule min		Wave Soldering Process	
Stranded with Ferrule max	-	Soldering Temperature, recommended	265 °C
		Peak Soldering Time, recommended	3-4 s
Dimensions		Reflow Process	
PCB Hole Diameter	1.5 mm	Soldering Temperature, recommended	-
Materials		Peak Soldering Time, recommended	-
Contact Pin	Brass		

Colours

■ BLACK, RAL 9011

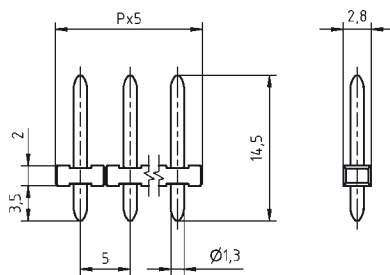
Colours according to RAL, there may be variations on colour due to production conditions. Special colours on request.

Counterparts (Spacing 5.0 mm)

Terminal Block
AK133

Order Data (Spacing 5.0 mm)

Poles	Width (mm)	Article Designation	Article Number	PU
2	10.00	STL133/2-5.0-V-BLACK	50133025001H	500
3	15.00	STL133/3-5.0-V-BLACK	50133035001H	500
4	20.00	STL133/4-5.0-V-BLACK	50133045001H	500
5	25.00	STL133/5-5.0-V-BLACK	50133055001G	250
6	30.00	STL133/6-5.0-V-BLACK	50133065001G	250
7	35.00	STL133/7-5.0-V-BLACK	50133075001G	250
8	40.00	STL133/8-5.0-V-BLACK	50133085001E	100
9	45.00	STL133/9-5.0-V-BLACK	50133095001E	100
10	50.00	STL133/10-5.0-V-BLACK	50133105001E	100
11	55.00	STL133/11-5.0-V-BLACK	50133115001E	100
12	60.00	STL133/12-5.0-V-BLACK	50133125001E	100



Ratings



Usegroup	B	C	D	
Rated Voltage	300 V	-	300 V	250 V
Rated Current	10 A	-	10 A	7 A
Overvoltage Category				III
Test Voltage	1.6 kV	-	1.6 kV	4.0 kV
Pollution Degree				3

* Approval Pending

STL140/..-5.0-H-BLACK STLZ140/..-5.08-H-BLACK



Technical Data

Wire Size		Insulating Material	
Solid min	-	Material	PA 6.6
Solid max	-	Flammability Class	UL 94 V-0
Stranded (flexible) min	-	Temperatures	
Stranded (flexible) max	-	Operating Temperature	-30 °C - 105 °C
Stranded with Ferrule min	-	Wave Soldering Process	
Stranded with Ferrule max	-	Soldering Temperature, recommended	265 °C
Dimensions		Peak Soldering Time, recommended	3-4 s
PCB Hole Diameter	1.5 mm	Reflow Process	
Materials		Soldering Temperature, recommended	-
Contact Pin	Brass	Peak Soldering Time, recommended	-

Colours

■ BLACK, RAL 9011

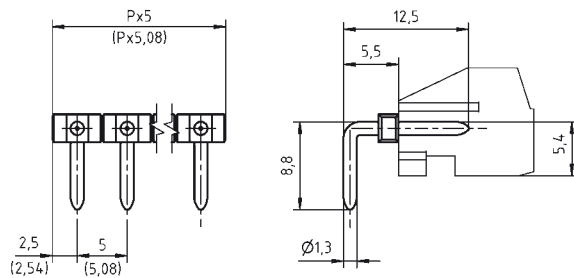
Colours according to RAL, there may be variations on colour due to production conditions. Special colours on request.

Counterparts (Spacing 5.0 mm)

Terminal Block
AK130

Counterparts (Spacing 5.08 mm)

Terminal Block
AKZ130





Order Data (Spacing 5.0 mm)

Poles	Width (mm)	Article Designation	Article Number	PU
2	10.00	STL140/2-5.0-H-BLACK	50140025001H	500
3	15.00	STL140/3-5.0-H-BLACK	50140035001H	500
4	20.00	STL140/4-5.0-H-BLACK	50140045001H	500
5	25.00	STL140/5-5.0-H-BLACK	50140055001G	250
6	30.00	STL140/6-5.0-H-BLACK	50140065001G	250
7	35.00	STL140/7-5.0-H-BLACK	50140075001G	250
8	40.00	STL140/8-5.0-H-BLACK	50140085001E	100
9	45.00	STL140/9-5.0-H-BLACK	50140095001E	100
...
24	120.00	STL140/24-5.0-H-BLACK	50140245001D	50

Order Data (Spacing 5.08 mm)

Poles	Width (mm)	Article Designation	Article Number	PU
2	10.16	STLZ140/2-5.08-H-BLACK	50140025051G	250
3	15.24	STLZ140/3-5.08-H-BLACK	50140035051G	250
4	20.32	STLZ140/4-5.08-H-BLACK	50140045051G	250
5	25.40	STLZ140/5-5.08-H-BLACK	50140055051G	250
6	30.48	STLZ140/6-5.08-H-BLACK	50140065051G	250
7	35.56	STLZ140/7-5.08-H-BLACK	50140075051G	250
8	40.64	STLZ140/8-5.08-H-BLACK	50140085051E	100
9	45.72	STLZ140/9-5.08-H-BLACK	50140095051E	100
...
24	121.92	STLZ140/24-5.08-H-BLACK	50140245051D	50

Ratings

Usegroup	C 		D 	
	B	C	D	
Rated Voltage	300 V	-	300 V	250 V
Rated Current	10 A	-	10 A	7 A
Overvoltage Category				III
Test Voltage	1.6 kV	-	1.6 kV	4.0 kV
Pollution Degree				3

STL140/..-5.0-H-BLACK-HT



Technical Data

Wire Size		Insulating Material	
Solid min	-	Material	LCP
Solid max	-	Flammability Class	UL 94 V-0
Stranded (flexible) min		Temperatures	
Stranded (flexible) max	-	Operating Temperature	-30 °C - 105 °C
Stranded with Ferrule min		Wave Soldering Process	
Stranded with Ferrule max	-	Soldering Temperature, recommended	265 °C
Dimensions		Peak Soldering Time, recommended	3-4 s
PCB Hole Diameter	1.5 mm	Reflow Process	
Materials		Soldering Temperature, recommended	217 °C - 245 °C
Contact Pin	Brass	Peak Soldering Time, recommended	60 s

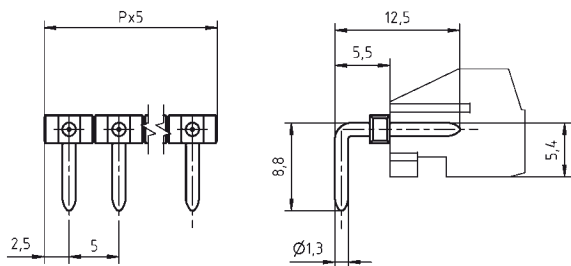
Colours

■ BLACK, RAL 9011

Colours according to RAL, there may be variations on colour due to production conditions.

Counterparts (Spacing 5.0 mm)

Terminal Block
AK130



Order Data (Spacing 5.0 mm)

Poles	Width (mm)	Article Designation	Article Number	PU
2	10.00	STL140/2-5.0-H-BLACK-HT	50140025101G	250
3	15.00	STL140/3-5.0-H-BLACK-HT	50140035101G	250
4	20.00	STL140/4-5.0-H-BLACK-HT	50140045101G	250
5	25.00	STL140/5-5.0-H-BLACK-HT	50140055101G	250
6	30.00	STL140/6-5.0-H-BLACK-HT	50140065101G	250
7	35.00	STL140/7-5.0-H-BLACK-HT	50140075101G	250
8	40.00	STL140/8-5.0-H-BLACK-HT	50140085101E	100
9	45.00	STL140/9-5.0-H-BLACK-HT	50140095101E	100
10	50.00	STL140/10-5.0-H-BLACK-HT	50140105101E	100
11	55.00	STL140/11-5.0-H-BLACK-HT	50140115101E	100
12	60.00	STL140/12-5.0-H-BLACK-HT	50140125101E	100
13	65.00	STL140/13-5.0-H-BLACK-HT	50140135101E	100
14	70.00	STL140/14-5.0-H-BLACK-HT	50140145101E	100
15	75.00	STL140/15-5.0-H-BLACK-HT	50140155101E	100
16	80.00	STL140/16-5.0-H-BLACK-HT	50140165101E	100
17	85.00	STL140/17-5.0-H-BLACK-HT	50140175101D	50
18	90.00	STL140/18-5.0-H-BLACK-HT	50140185101D	50
19	95.00	STL140/19-5.0-H-BLACK-HT	50140195101D	50
20	100.00	STL140/20-5.0-H-BLACK-HT	50140205101D	50
21	105.00	STL140/21-5.0-H-BLACK-HT	50140215101D	50
22	110.00	STL140/22-5.0-H-BLACK-HT	50140225101D	50

Ratings



Usegroup	B	C	D	
Rated Voltage	300 V	-	300 V	200 V
Rated Current	10 A	-	10 A	7 A
Overvoltage Category				III
Test Voltage	1.6 kV	-	1.6 kV	4.0 kV
Pollution Degree				3

STL950/..-5.0-V-GREEN STLZ950/..-5.08-V-GREEN



Technical Data

Wire Size		Insulating Material	
Solid min	-	Material	PA 6.6
Solid max	-	Flammability Class	UL 94 V-0
Stranded (flexible) min		Temperatures	
Stranded (flexible) max	-	Operating Temperature	-30 °C - 105 °C
Stranded with Ferrule min		Wave Soldering Process	
Stranded with Ferrule max	-	Soldering Temperature, recommended	265 °C
		Peak Soldering Time, recommended	3-4 s
Dimensions		Reflow Process	
PCB Hole Diameter	1.4 mm	Soldering Temperature, recommended	-
Materials		Peak Soldering Time, recommended	-
Contact Pin	Copper Alloy		

Colours

	GREEN, RAL 6018		BLACK, RAL 9011
	BASALT GREY, RAL 7012		LIGHT GREY, RAL 7035
	LIGHT GREEN, similar RAL 6018		

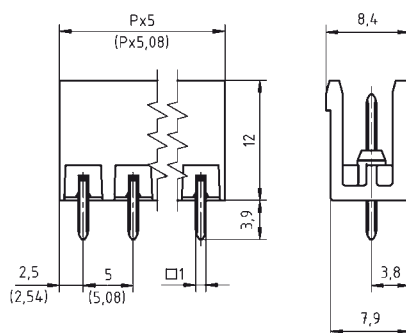
Colours according to RAL, there may be variations on colour due to production conditions. Special colours on request.

Counterparts (Spacing 5.0 mm)

Terminal Block					
AK950	AK955	AK1100	AK1110	AK3950	AK4951

Counterparts (Spacing 5.08 mm)

Terminal Block/ Pin Strip						
AKZ950	AKZ955	AKZ1100	AKZ1110	AKZ1200	AKZ4951	STLZ950-INV



Order Data (Spacing 5.0 mm)

Poles	Width (mm)	Article Designation	Article Number	PU
2	10.00	STL950/2-5.0-V-GREEN	50950025111F	200
3	15.00	STL950/3-5.0-V-GREEN	50950035111F	200
4	20.00	STL950/4-5.0-V-GREEN	50950045111F	200
5	25.00	STL950/5-5.0-V-GREEN	50950055111E	100
6	30.00	STL950/6-5.0-V-GREEN	50950065111E	100
7	35.00	STL950/7-5.0-V-GREEN	50950075111E	100
8	40.00	STL950/8-5.0-V-GREEN	50950085111D	50
9	45.00	STL950/9-5.0-V-GREEN	50950095111D	50
...
24	120.00	STL950/24-5.0-V-GREEN	50950245111D	50

Order Data (Spacing 5.08 mm)

Poles	Width (mm)	Article Designation	Article Number	PU
2	10.16	STLZ950/2-5.08-V-GREEN	50950025131F	200
3	15.24	STLZ950/3-5.08-V-GREEN	50950035131F	200
4	20.32	STLZ950/4-5.08-V-GREEN	50950045131F	200
5	25.40	STLZ950/5-5.08-V-GREEN	50950055131E	100
6	30.48	STLZ950/6-5.08-V-GREEN	50950065131E	100
7	35.56	STLZ950/7-5.08-V-GREEN	50950075131E	100
8	40.64	STLZ950/8-5.08-V-GREEN	50950085131D	50
9	45.72	STLZ950/9-5.08-V-GREEN	50950095131D	50
...
24	121.92	STLZ950/24-5.08-V-GREEN	50950245131D	50

Accessories

Figure	Designation	Article Number
	Coding Star CS2-5.0/5.08-RED	50000000024
	Separating Element SE-STL950-GREEN	50950000002

See pages 214/215 for details and general accessories, and see pages 8/9 concerning services.

Ratings

Usegroup	UL US			VDE
	B	C	D	
Rated Voltage	300 V	150 V	300 V	250 V
Rated Current	15 A	15 A	10 A	12 A
Overvoltage Category				III
Test Voltage	1.6 kV	1.6 kV	1.6 kV	4.0 kV
Pollution Degree				3

STL950/..-5.0-V-GREEN-HC STLZ950/..-5.08-V-GREEN-HC



Technical Data

Wire Size		Insulating Material	
Solid min	-	Material	PA 6.6
Solid max	-	Flammability Class	UL 94 V-0
Stranded (flexible) min		Temperatures	
Stranded (flexible) max	-	Operating Temperature	-30 °C - 105 °C
Stranded with Ferrule min		Wave Soldering Process	
Stranded with Ferrule max	-	Soldering Temperature, recommended	265 °C
		Peak Soldering Time, recommended	3-4 s
Dimensions		Reflow Process	
PCB Hole Diameter	1.4 mm	Soldering Temperature, recommended	-
Materials		Peak Soldering Time, recommended	-
Contact Pin	Copper Alloy		

Colours

	GREEN, RAL 6018		BLACK, RAL 9011
	PEBBLE GREY, RAL 7032		LIGHT GREEN, similar RAL 6018

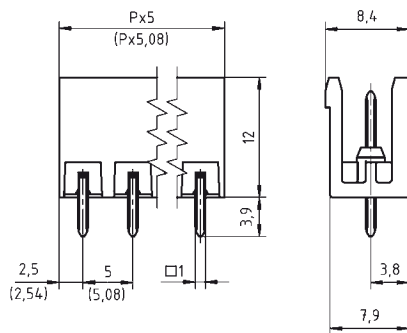
Colours according to RAL, there may be variations on colour due to production conditions. Special colours on request.

Counterparts (Spacing 5.0 mm)

Terminal Block
AK950HC

Counterparts (Spacing 5.08 mm)

Terminal Block
AKZ950HC



Order Data (Spacing 5.0 mm)

Poles	Width (mm)	Article Designation	Article Number	PU
2	10.00	STL950/2-5.0-V-GREEN-HC	50950025119F	200
3	15.00	STL950/3-5.0-V-GREEN-HC	50950035119F	200
4	20.00	STL950/4-5.0-V-GREEN-HC	50950045119F	200
5	25.00	STL950/5-5.0-V-GREEN-HC	50950055119E	100
6	30.00	STL950/6-5.0-V-GREEN-HC	50950065119E	100
7	35.00	STL950/7-5.0-V-GREEN-HC	50950075119E	100
8	40.00	STL950/8-5.0-V-GREEN-HC	50950085119D	50
9	45.00	STL950/9-5.0-V-GREEN-HC	50950095119D	50
...
12	60.00	STL950/12-5.0-V-GREEN-HC	50950125119D	50

Order Data (Spacing 5.08 mm)

Poles	Width (mm)	Article Designation	Article Number	PU
2	10.16	STLZ950/2-5.08-V-GREEN-HC	50950025139F	200
3	15.24	STLZ950/3-5.08-V-GREEN-HC	50950035139F	200
4	20.32	STLZ950/4-5.08-V-GREEN-HC	50950045139F	200
5	25.40	STLZ950/5-5.08-V-GREEN-HC	50950055139E	100
6	30.48	STLZ950/6-5.08-V-GREEN-HC	50950065139E	100
7	35.56	STLZ950/7-5.08-V-GREEN-HC	50950075139E	100
8	40.64	STLZ950/8-5.08-V-GREEN-HC	50950085139D	50
9	45.72	STLZ950/9-5.08-V-GREEN-HC	50950095139D	50
...
12	60.96	STLZ950/12-5.08-V-GREEN-HC	50950125139D	50

Accessories

Figure	Designation	Article Number
	Coding Star CS2-5.0/5.08-RED	50000000024
	Separating Element SE-STL950-GREEN	50950000002

See pages 214/215 for details and general accessories, and see pages 8/9 concerning services.

Ratings

Usegroup	c ALUS			VDE
	B	C	D	
Rated Voltage	300 V	150 V	300 V	250 V
Rated Current	16 A	16 A	10 A	16 A
Overvoltage Category				III
Test Voltage	1.6 kV	1.6 kV	1.6 kV	4.0 kV
Pollution Degree				3

STL950/..G-5.0-V-GREEN STLZ950/..G-5.08-V-GREEN



Technical Data

Wire Size		Insulating Material	
Solid min	-	Material	PA 6.6
Solid max	-	Flammability Class	UL 94 V-0
Stranded (flexible) min		Temperatures	
Stranded (flexible) max	-	Operating Temperature	-30 °C - 105 °C
Stranded with Ferrule min		Wave Soldering Process	
Stranded with Ferrule max	-	Soldering Temperature, recommended	265 °C
		Peak Soldering Time, recommended	3-4 s
Dimensions		Reflow Process	
PCB Hole Diameter	1.4 mm	Soldering Temperature, recommended	-
Materials		Peak Soldering Time, recommended	-
Contact Pin	Copper Alloy		

Colours

	GREEN, RAL 6018		BLACK, RAL 9011
	BASALT GREY, RAL 7012		PEBBLE GREY, RAL 7032
	LIGHT GREY, RAL 7035		LIGHT GREEN, similar RAL 6018

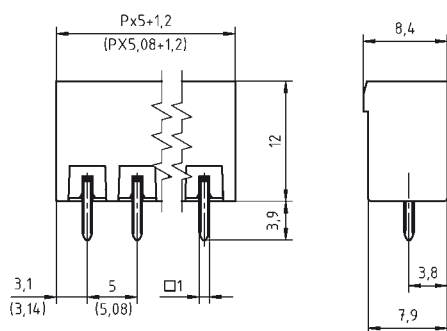
Colours according to RAL, there may be variations on colour due to production conditions. Special colours on request.

Counterparts (Spacing 5.0 mm)

Terminal Block					
AK950	AK955	AK1100	AK1110	AK3950	AK4951

Counterparts (Spacing 5.08 mm)

Terminal Block/ Pin Strip						
AKZ950	AKZ955	AKZ1100	AKZ1110	AKZ1200	AKZ4951	STLZ950-INV



Order Data (Spacing 5.0 mm)

Poles	Width (mm)	Article Designation	Article Number	PU
2	11.20	STL950/2G-5.0-V-GREEN	50950025101F	200
3	16.20	STL950/3G-5.0-V-GREEN	50950035101F	200
4	21.20	STL950/4G-5.0-V-GREEN	50950045101F	200
5	26.20	STL950/5G-5.0-V-GREEN	50950055101E	100
6	31.20	STL950/6G-5.0-V-GREEN	50950065101E	100
7	36.20	STL950/7G-5.0-V-GREEN	50950075101E	100
8	41.20	STL950/8G-5.0-V-GREEN	50950085101D	50
9	46.20	STL950/9G-5.0-V-GREEN	50950095101D	50
...
24	121.20	STL950/24G-5.0-V-GREEN	50950245101D	50

Order Data (Spacing 5.08 mm)

Poles	Width (mm)	Article Designation	Article Number	PU
2	11.36	STLZ950/2G-5.08-V-GREEN	50950025121F	200
3	16.44	STLZ950/3G-5.08-V-GREEN	50950035121F	200
4	21.52	STLZ950/4G-5.08-V-GREEN	50950045121F	200
5	26.60	STLZ950/5G-5.08-V-GREEN	50950055121E	100
6	31.68	STLZ950/6G-5.08-V-GREEN	50950065121E	100
7	36.76	STLZ950/7G-5.08-V-GREEN	50950075121E	100
8	41.84	STLZ950/8G-5.08-V-GREEN	50950085121D	50
9	46.92	STLZ950/9G-5.08-V-GREEN	50950095121D	50
...
24	123.12	STLZ950/24G-5.08-V-GREEN	50950245121D	50

Accessories

Figure	Designation	Article Number
	Coding Star CS2-5.0/5.08-RED	5000000024
	Separating Element SE-STL950-GREEN	50950000002

See pages 214/215 for details and general accessories, and see pages 8/9 concerning services.

Ratings

Usegroup	UL US			VDE
	B	C	D	
Rated Voltage	300 V	150 V	300 V	250 V
Rated Current	15 A	15 A	10 A	12 A
Overvoltage Category				III
Test Voltage	1.6 kV	1.6 kV	1.6 kV	4.0 kV
Pollution Degree				3

STL950/..G-5.0-V-GREEN-HC
STLZ950/..G-5.08-V-GREEN-HC



Technical Data

Wire Size		Insulating Material	
Solid min	-	Material	PA 6.6
Solid max	-	Flammability Class	UL 94 V-0
Stranded (flexible) min		Temperatures	
Stranded (flexible) max	-	Operating Temperature	-30 °C - 105 °C
Stranded with Ferrule min		Wave Soldering Process	
Stranded with Ferrule max	-	Soldering Temperature, recommended	265 °C
Dimensions		Peak Soldering Time, recommended	
PCB Hole Diameter	1.4 mm	Reflow Process	
Materials		Soldering Temperature, recommended	
Contact Pin	Copper Alloy	Peak Soldering Time, recommended	-

Colours

	GREEN, RAL 6018		BLACK, RAL 9011
	PEBBLE GREY, RAL 7032		LIGHT GREEN, similar RAL 6018

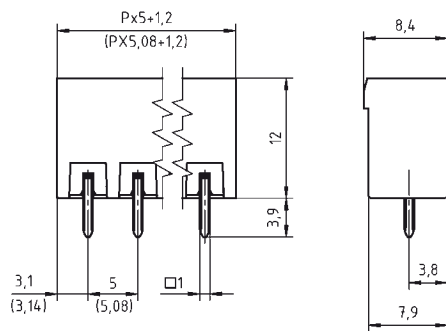
Colours according to RAL, there may be variations on colour due to production conditions. Special colours on request.

Counterparts (Spacing 5.0 mm)

Terminal Block
AK950HC

Counterparts (Spacing 5.08 mm)

Terminal Block
AKZ950HC





Order Data (Spacing 5.0 mm)

Poles	Width (mm)	Article Designation	Article Number	PU
2	11.20	STL950/2G-5.0-V-GREEN-HC	50950025109F	200
3	16.20	STL950/3G-5.0-V-GREEN-HC	50950035109F	200
4	21.20	STL950/4G-5.0-V-GREEN-HC	50950045109F	200
5	26.20	STL950/5G-5.0-V-GREEN-HC	50950055109E	100
6	31.20	STL950/6G-5.0-V-GREEN-HC	50950065109E	100
7	36.20	STL950/7G-5.0-V-GREEN-HC	50950075109E	100
8	41.20	STL950/8G-5.0-V-GREEN-HC	50950085109D	50
9	46.20	STL950/9G-5.0-V-GREEN-HC	50950095109D	50
...
12	61.20	STL950/12G-5.0-V-GREEN-HC	50950125109D	50

Order Data (Spacing 5.08 mm)



Poles	Width (mm)	Article Designation	Article Number	PU
2	11.36	STLZ950/2G-5.08-V-GREEN-HC	50950025129F	200
3	16.44	STLZ950/3G-5.08-V-GREEN-HC	50950035129F	200
4	21.52	STLZ950/4G-5.08-V-GREEN-HC	50950045129F	200
5	26.60	STLZ950/5G-5.08-V-GREEN-HC	50950055129E	100
6	31.68	STLZ950/6G-5.08-V-GREEN-HC	50950065129E	100
7	36.76	STLZ950/7G-5.08-V-GREEN-HC	50950075129E	100
8	41.84	STLZ950/8G-5.08-V-GREEN-HC	50950085129D	50
9	46.92	STLZ950/9G-5.08-V-GREEN-HC	50950095129D	50
...
12	62.16	STLZ950/12G-5.08-V-GREEN-HC	50950125129D	50

Accessories

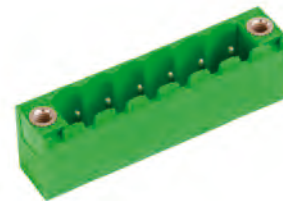
Figure	Designation	Article Number
	Coding Star CS2-5.0/5.08-RED	50000000024
	Separating Element SE-STL950-GREEN	50950000002

See pages 214/215 for details and general accessories, and see pages 8/9 concerning services.

Ratings

Usegroup	c 			
	B	C	D	
Rated Voltage	300 V	150 V	300 V	250 V
Rated Current	16 A	16 A	10 A	16 A
Overvoltage Category				III
Test Voltage	1.6 kV	1.6 kV	1.6 kV	4.0 kV
Pollution Degree				3

STL950/..F-5.0-V-GREEN STLZ950/..F-5.08-V-GREEN



Technical Data

Wire Size		Insulating Material	
Solid min	-	Material	PA 6.6
Solid max	-	Flammability Class	UL 94 V-0
Stranded (flexible) min		Temperatures	
Stranded (flexible) max	-	Operating Temperature	-30 °C - 105 °C
Stranded with Ferrule min		Wave Soldering Process	
Stranded with Ferrule max	-	Soldering Temperature, recommended	265 °C
		Peak Soldering Time, recommended	3-4 s
Dimensions		Reflow Process	
PCB Hole Diameter	1.4 mm	Soldering Temperature, recommended	-
Materials		Peak Soldering Time, recommended	
Thread Insert, Flange	Brass	Soldering Temperature, recommended	-
Contact Pin	Copper Alloy	Peak Soldering Time, recommended	-

Colours

- GREEN, RAL 6018
- BASALT GREY, RAL 7012
- LIGHT GREEN, similar RAL 6018

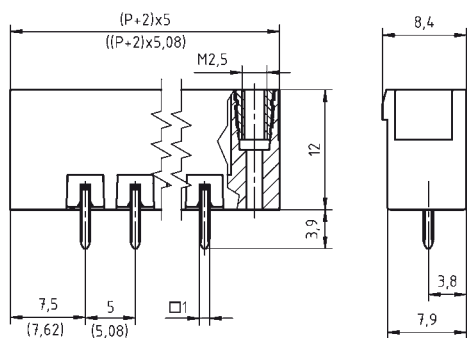
Colours according to RAL, there may be variations on colour due to production conditions. Special colours on request.

Counterparts (Spacing 5.0 mm)

Terminal Block	
AK950	AK4951

Counterparts (Spacing 5.08 mm)

Terminal Block				
AKZ950	AKZ1200	AKZ1100	AKZ1110	AKZ4951





Order Data (Spacing 5.0 mm)

Poles	Width (mm)	Article Designation	Article Number	PU
2	20.00	STL950/2F-5.0-V-GREEN	50950026101E	100
3	25.00	STL950/3F-5.0-V-GREEN	50950036101E	100
4	30.00	STL950/4F-5.0-V-GREEN	50950046101E	100
5	35.00	STL950/5F-5.0-V-GREEN	50950056101E	100
6	40.00	STL950/6F-5.0-V-GREEN	50950066101D	50
7	45.00	STL950/7F-5.0-V-GREEN	50950076101D	50
8	50.00	STL950/8F-5.0-V-GREEN	50950086101D	50
9	55.00	STL950/9F-5.0-V-GREEN	50950096101D	50
...
24	130.00	STL950/24F-5.0-V-GREEN	50950246101D	50

Order Data (Spacing 5.08 mm)



Poles	Width (mm)	Article Designation	Article Number	PU
2	20.32	STLZ950/2F-5.08-V-GREEN	50950026121E	100
3	25.40	STLZ950/3F-5.08-V-GREEN	50950036121E	100
4	30.48	STLZ950/4F-5.08-V-GREEN	50950046121E	100
5	35.56	STLZ950/5F-5.08-V-GREEN	50950056121E	100
6	40.64	STLZ950/6F-5.08-V-GREEN	50950066121D	50
7	45.72	STLZ950/7F-5.08-V-GREEN	50950076121D	50
8	50.80	STLZ950/8F-5.08-V-GREEN	50950086121D	50
9	55.88	STLZ950/9F-5.08-V-GREEN	50950096121D	50
...
24	132.08	STLZ950/24F-5.08-V-GREEN	50950246121D	50

Accessories

Figure	Designation	Article Number
	Coding Star CS2-5.0/5.08-RED	50000000024
	Separating Element SE-STL950-GREEN	50950000002

See pages 214/215 for details and general accessories, and see pages 8/9 concerning services.

Ratings

Usegroup				
	B	C	D	
Rated Voltage	300 V	150 V	300 V	250 V
Rated Current	15 A	15 A	10 A	12 A
Overvoltage Category				III
Test Voltage	1.6 kV	1.6 kV	1.6 kV	4.0 kV
Pollution Degree				3

STL950/..F-5.0-V-GREEN-HC STLZ950/..F-5.08-V-GREEN-HC



Technical Data

Wire Size		Insulating Material	
Solid min	-	Material	PA 6.6
Solid max	-	Flammability Class	UL 94 V-0
Stranded (flexible) min		Temperatures	
Stranded (flexible) max	-	Operating Temperature	-30 °C - 105 °C
Stranded with Ferrule min		Wave Soldering Process	
Stranded with Ferrule max	-	Soldering Temperature, recommended	265 °C
		Peak Soldering Time, recommended	3-4 s
Dimensions		Reflow Process	
PCB Hole Diameter	1.4 mm	Soldering Temperature, recommended	-
Materials		Peak Soldering Time, recommended	-
Thread Insert, Flange	Brass		
Contact Pin	Copper Alloy		

Colours

 GREEN, RAL 6018  LIGHT GREEN, similar RAL 6018

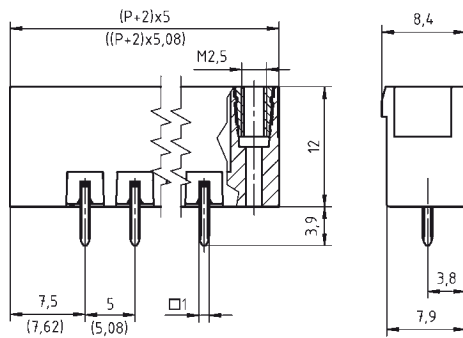
Colours according to RAL, there may be variations on colour due to production conditions. Special colours on request.

Counterparts (Spacing 5.0 mm)

Terminal Block
AK950

Counterparts (Spacing 5.08 mm)

Terminal Block
AKZ950





Order Data (Spacing 5.0 mm)

Poles	Width (mm)	Article Designation	Article Number	PU
2	20.00	STL950/2F-5.0-V-GREEN-HC	50950026109E	100
3	25.00	STL950/3F-5.0-V-GREEN-HC	50950036109E	100
4	30.00	STL950/4F-5.0-V-GREEN-HC	50950046109D	50
5	35.00	STL950/5F-5.0-V-GREEN-HC	50950056109D	50
6	40.00	STL950/6F-5.0-V-GREEN-HC	50950066109D	50
7	45.00	STL950/7F-5.0-V-GREEN-HC	50950076109D	50
8	50.00	STL950/8F-5.0-V-GREEN-HC	50950086109D	50
9	55.00	STL950/9F-5.0-V-GREEN-HC	50950096109D	50
...
12	70.00	STL950/12F-5.0-V-GREEN-HC	50950126109D	50

Order Data (Spacing 5.08 mm)



Poles	Width (mm)	Article Designation	Article Number	PU
2	20.32	STLZ950/2F-5.08-V-GREEN-HC	50950026129E	100
3	25.40	STLZ950/3F-5.08-V-GREEN-HC	50950036129E	100
4	30.48	STLZ950/4F-5.08-V-GREEN-HC	50950046129D	50
5	35.56	STLZ950/5F-5.08-V-GREEN-HC	50950056129D	50
6	40.64	STLZ950/6F-5.08-V-GREEN-HC	50950066129D	50
7	45.72	STLZ950/7F-5.08-V-GREEN-HC	50950076129D	50
8	50.80	STLZ950/8F-5.08-V-GREEN-HC	50950086129D	50
9	55.88	STLZ950/9F-5.08-V-GREEN-HC	50950096129D	50
...
12	71.12	STLZ950/12F-5.08-V-GREEN-HC	50950126129D	50

Accessories

Figure	Designation	Article Number
	Coding Star CS2-5.0/5.08-RED	50000000024
	Separating Element SE-STL950-GREEN	50950000002

See pages 214/215 for details and general accessories, and see pages 8/9 concerning services.

Ratings

Usegroup	c 			
	B	C	D	
Rated Voltage	300 V	150 V	300 V	250 V
Rated Current	16 A	16 A	10 A	16 A
Overtoltage Category				III
Test Voltage	1.6 kV	1.6 kV	1.6 kV	4.0 kV
Pollution Degree				3

STLZ950/..-5.08-V-GREEN-INV



Technical Data

Wire Size		Insulating Material	
Solid min	-	Material	PA 6.6
Solid max	-	Flammability Class	UL 94 V-0
Stranded (flexible) min		Temperatures	
Stranded (flexible) max	-	Operating Temperature	-30 °C - 105 °C
Stranded with Ferrule min		Wave Soldering Process	
Stranded with Ferrule max	-	Soldering Temperature, recommended	265 °C
Dimensions		Peak Soldering Time, recommended	3-4 s
PCB Hole Diameter	1.4 mm	Reflow Process	
Materials		Soldering Temperature, recommended	-
Contact Spring	Bronze	Peak Soldering Time, recommended	-

Colours

- GREEN, RAL 6018
- LIGHT GREEN, similar RAL 6018

Colours according to RAL, there may be variations on colour due to production conditions. Special colours on request.


Counterparts (Spacing 5.08 mm)

Terminal Block/ Pin Strip				
AKZ950-INV	STLZ950	STLZ990	STLZ970	AKZS950

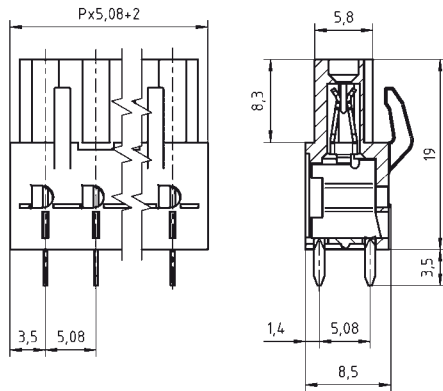
Order Data (Spacing 5.08 mm)

Poles	Width (mm)	Article Designation	Article Number	PU
2	12.16	STLZ950/2-5.08-V-GREEN-INV	50950029121F	200
3	17.24	STLZ950/3-5.08-V-GREEN-INV	50950039121F	200
4	22.32	STLZ950/4-5.08-V-GREEN-INV	50950049121F	200
5	27.40	STLZ950/5-5.08-V-GREEN-INV	50950059121E	100
6	32.48	STLZ950/6-5.08-V-GREEN-INV	50950069121E	100
7	37.56	STLZ950/7-5.08-V-GREEN-INV	50950079121E	100
8	42.64	STLZ950/8-5.08-V-GREEN-INV	50950089121D	50
9	47.72	STLZ950/9-5.08-V-GREEN-INV	50950099121D	50
10	52.80	STLZ950/10-5.08-V-GREEN-INV	50950109121D	50
11	57.88	STLZ950/11-5.08-V-GREEN-INV	50950119121D	50
12	62.96	STLZ950/12-5.08-V-GREEN-INV	50950129121D	50
13	68.04	STLZ950/13-5.08-V-GREEN-INV	50950139121D	50
14	73.12	STLZ950/14-5.08-V-GREEN-INV	50950149121D	50
15	78.20	STLZ950/15-5.08-V-GREEN-INV	50950159121D	50
16	83.28	STLZ950/16-5.08-V-GREEN-INV	50950169121D	50
17	88.36	STLZ950/17-5.08-V-GREEN-INV	50950179121D	50
18	93.44	STLZ950/18-5.08-V-GREEN-INV	50950189121D	50
19	98.52	STLZ950/19-5.08-V-GREEN-INV	50950199121D	50
20	103.60	STLZ950/20-5.08-V-GREEN-INV	50950209121D	50
21	108.68	STLZ950/21-5.08-V-GREEN-INV	50950219121D	50
22	113.76	STLZ950/22-5.08-V-GREEN-INV	50950229121D	50
23	118.84	STLZ950/23-5.08-V-GREEN-INV	50950239121D	50
24	123.92	STLZ950/24-5.08-V-GREEN-INV	50950249121D	50



Accessories

Figure	Designation	Article Number
	Coding Star CS4-5.0/5.08-RED	5000000026

See pages 214/215 for details and general accessories, and see pages 8/9 concerning services.



Ratings

Usegroup				
	B	C	D	
Rated Voltage	300 V	-	300 V	250 V
Rated Current	10 A	-	10 A	12 A
Overvoltage Category				III
Test Voltage	1.6 kV	-	1.6 kV	4.0 kV
Pollution Degree				3

* Approval Pending

STL950/..-5.0-H-GREEN STLZ950/..-5.08-H-GREEN



Technical Data

Wire Size		Insulating Material	
Solid min	-	Material	PA 6.6
Solid max	-	Flammability Class	UL 94 V-0
Stranded (flexible) min		Temperatures	
Stranded (flexible) max	-	Operating Temperature	-30 °C - 105 °C
Stranded with Ferrule min		Wave Soldering Process	
Stranded with Ferrule max	-	Soldering Temperature, recommended	265 °C
Dimensions		Peak Soldering Time, recommended	3-4 s
PCB Hole Diameter	1.4 mm	Reflow Process	
Materials		Soldering Temperature, recommended	-
Contact Pin	Copper Alloy	Peak Soldering Time, recommended	-

Colours

	GREEN, RAL 6018		BLACK, RAL 9011
	BASALT GREY, RAL 7012		PEBBLE GREY, RAL 7032
	LIGHT GREY, RAL 7035		LIGHT GREEN, similar RAL 6018

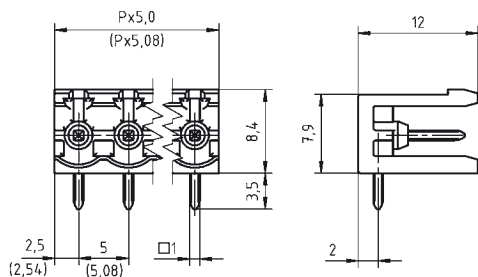
Colours according to RAL, there may be variations on colour due to production conditions. Special colours on request.

Counterparts (Spacing 5.0 mm)

Terminal Block				
AK950	AK1100	AK3950	AK4951	AK955

Counterparts (Spacing 5.08 mm)

Terminal Block/ Pin Strip				
AKZ950	AKZ1100	AKZ1200	AKZ4951	STLZ950-INV



Order Data (Spacing 5.0 mm)

Poles	Width (mm)	Article Designation	Article Number	PU
2	10.00	STL950/2-5.0-H-GREEN	50950025011F	200
3	15.00	STL950/3-5.0-H-GREEN	50950035011F	200
4	20.00	STL950/4-5.0-H-GREEN	50950045011F	200
5	25.00	STL950/5-5.0-H-GREEN	50950055011E	100
6	30.00	STL950/6-5.0-H-GREEN	50950065011E	100
7	35.00	STL950/7-5.0-H-GREEN	50950075011E	100
8	40.00	STL950/8-5.0-H-GREEN	50950085011D	50
9	45.00	STL950/9-5.0-H-GREEN	50950095011D	50
...
24	120.00	STL950/24-5.0-H-GREEN	50950245011D	50

Order Data (Spacing 5.08 mm)

Poles	Width (mm)	Article Designation	Article Number	PU
2	10.16	STLZ950/2-5.08-H-GREEN	50950025031F	200
3	15.24	STLZ950/3-5.08-H-GREEN	50950035031F	200
4	20.32	STLZ950/4-5.08-H-GREEN	50950045031F	200
5	25.40	STLZ950/5-5.08-H-GREEN	50950055031E	100
6	30.48	STLZ950/6-5.08-H-GREEN	50950065031E	100
7	35.56	STLZ950/7-5.08-H-GREEN	50950075031E	100
8	40.64	STLZ950/8-5.08-H-GREEN	50950085031D	50
9	45.72	STLZ950/9-5.08-H-GREEN	50950095031D	50
...
24	121.92	STLZ950/24-5.08-H-GREEN	50950245031D	50

Accessories

Figure	Designation	Article Number
	Coding Star CS2-5.0/5.08-RED	50000000024
	Separating Element SE-STL950-GREEN	50950000002

See pages 214/215 for details and general accessories, and see pages 8/9 concerning services.

Ratings

Usegroup	c			
	B	C	D	
Rated Voltage	300 V	150 V	300 V	250 V
Rated Current	15 A	15 A	10 A	12 A
Overtoltage Category				III
Test Voltage	1.6 kV	1.6 kV	1.6 kV	4.0 kV
Pollution Degree				3

STL950/..-5.0-H-GREEN-HC STLZ950/..-5.08-H-GREEN-HC



Technical Data

Wire Size		Insulating Material	
Solid min	-	Material	PA 6.6
Solid max	-	Flammability Class	UL 94 V-0
Stranded (flexible) min		Temperatures	
Stranded (flexible) max	-	Operating Temperature	-30 °C - 105 °C
Stranded with Ferrule min		Wave Soldering Process	
Stranded with Ferrule max	-	Soldering Temperature, recommended	265 °C
Dimensions		Peak Soldering Time, recommended	3-4 s
PCB Hole Diameter	1.4 mm	Reflow Process	
Materials		Soldering Temperature, recommended	-
Contact Pin	Copper Alloy	Peak Soldering Time, recommended	-

Colours

	GREEN, RAL 6018		BLACK, RAL 9011
	PEBBLE GREY, RAL 7032		LIGHT GREEN, similar RAL 6018

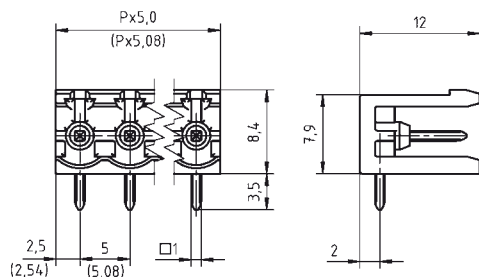
Colours according to RAL, there may be variations on colour due to production conditions. Special colours on request.

Counterparts (Spacing 5.0 mm)

Terminal Block	
AK950	

Counterparts (Spacing 5.08 mm)

Terminal Block	
AKZ950	



Order Data (Spacing 5.0 mm)

Poles	Width (mm)	Article Designation	Article Number	PU
2	10.00	STL950/2-5.0-H-GREEN-HC	50950025019F	200
3	15.00	STL950/3-5.0-H-GREEN-HC	50950035019F	200
4	20.00	STL950/4-5.0-H-GREEN-HC	50950045019F	200
5	25.00	STL950/5-5.0-H-GREEN-HC	50950055019E	100
6	30.00	STL950/6-5.0-H-GREEN-HC	50950065019E	100
7	35.00	STL950/7-5.0-H-GREEN-HC	50950075019E	100
8	40.00	STL950/8-5.0-H-GREEN-HC	50950085019D	50
9	45.00	STL950/9-5.0-H-GREEN-HC	50950095019D	50
...
12	60.00	STL950/12-5.0-H-GREEN-HC	50950125019D	50

Order Data (Spacing 5.08 mm)

Poles	Width (mm)	Article Designation	Article Number	PU
2	10.16	STLZ950/2-5.08-H-GREEN-HC	50950025039F	200
3	15.24	STLZ950/3-5.08-H-GREEN-HC	50950035039F	200
4	20.32	STLZ950/4-5.08-H-GREEN-HC	50950045039F	200
5	25.40	STLZ950/5-5.08-H-GREEN-HC	50950055039E	100
6	30.48	STLZ950/6-5.08-H-GREEN-HC	50950065039E	100
7	35.56	STLZ950/7-5.08-H-GREEN-HC	50950075039E	100
8	40.64	STLZ950/8-5.08-H-GREEN-HC	50950085039D	50
9	45.72	STLZ950/9-5.08-H-GREEN-HC	50950095039D	50
...
12	60.96	STLZ950/12-5.08-H-GREEN-HC	50950125039D	50

Accessories

Figure	Designation	Article Number
	Coding Star CS2-5.0/5.08-RED	50000000024
	Separating Element SE-STL950-GREEN	50950000002

See pages 214/215 for details and general accessories, and see pages 8/9 concerning services.

Ratings

Usegroup				
	B	C	D	
Rated Voltage	300 V	150 V	300 V	250 V
Rated Current	16 A	16 A	10 A	16 A
Overvoltage Category				III
Test Voltage	1.6 kV	1.6 kV	1.6 kV	4.0 kV
Pollution Degree				3

STL950/..G-5.0-H-GREEN STLZ950/..G-5.08-H-GREEN



Technical Data

Wire Size		Insulating Material	
Solid min	-	Material	PA 6.6
Solid max	-	Flammability Class	UL 94 V-0
Stranded (flexible) min		Temperatures	
Stranded (flexible) max	-	Operating Temperature	-30 °C - 105 °C
Stranded with Ferrule min		Wave Soldering Process	
Stranded with Ferrule max	-	Soldering Temperature, recommended	265 °C
		Peak Soldering Time, recommended	3-4 s
Dimensions		Reflow Process	
PCB Hole Diameter	1.4 mm	Soldering Temperature, recommended	-
Materials		Peak Soldering Time, recommended	-
Contact Pin	Copper Alloy		

Colours

	GREEN, RAL 6018		BLACK, RAL 9011
	BASALT GREY, RAL 7012		PEBBLE GREY, RAL 7032
	LIGHT GREY, RAL 7035		LIGHT GREEN, similar RAL 6018

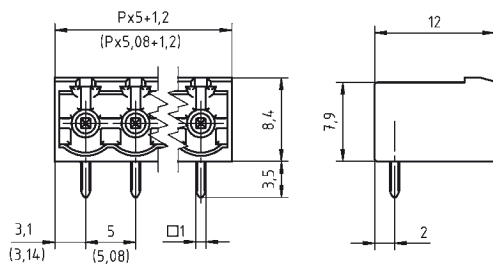
Colours according to RAL, there may be variations on colour due to production conditions. Special colours on request.

Counterparts (Spacing 5.0 mm)

Terminal Block					
AK950	AK1100	AK1100	AK3950	AK4951	AK955

Counterparts (Spacing 5.08 mm)

Terminal Block/ Pin Strip					
AKZ950	AKZ1100	AKZ1100	AKZ1200	AKZ4951	STLZ950-INV



Order Data (Spacing 5.0 mm)

Poles	Width (mm)	Article Designation	Article Number	PU
2	11.20	STL950/2G-5.0-H-GREEN	50950025001F	200
3	16.20	STL950/3G-5.0-H-GREEN	50950035001F	200
4	21.20	STL950/4G-5.0-H-GREEN	50950045001F	200
5	26.20	STL950/5G-5.0-H-GREEN	50950055001E	100
6	31.20	STL950/6G-5.0-H-GREEN	50950065001E	100
7	36.20	STL950/7G-5.0-H-GREEN	50950075001E	100
8	41.20	STL950/8G-5.0-H-GREEN	50950085001D	50
9	46.20	STL950/9G-5.0-H-GREEN	50950095001D	50
...
24	121.20	STL950/24G-5.0-H-GREEN	50950245001D	50

Order Data (Spacing 5.08 mm)

Poles	Width (mm)	Article Designation	Article Number	PU
2	11.36	STLZ950/2G-5.08-H-GREEN	50950025021F	200
3	16.44	STLZ950/3G-5.08-H-GREEN	50950035021F	200
4	21.52	STLZ950/4G-5.08-H-GREEN	50950045021F	200
5	26.60	STLZ950/5G-5.08-H-GREEN	50950055021E	100
6	31.68	STLZ950/6G-5.08-H-GREEN	50950065021E	100
7	36.76	STLZ950/7G-5.08-H-GREEN	50950075021E	100
8	41.84	STLZ950/8G-5.08-H-GREEN	50950085021D	50
9	46.92	STLZ950/9G-5.08-H-GREEN	50950095021D	50
...
24	123.12	STLZ950/24G-5.08-H-GREEN	50950245021D	50

Accessories

Figure	Designation	Article Number
	Coding Star CS2-5.0/5.08-RED	50000000024
	Separating Element SE-STL950-GREEN	50950000002

See pages 214/215 for details and general accessories, and see pages 8/9 concerning services.

Ratings

Usegroup	c			
	B	C	D	
Rated Voltage	300 V	150 V	300 V	250 V
Rated Current	15 A	15 A	10 A	12 A
Overvoltage Category				III
Test Voltage	1.6 kV	1.6 kV	1.6 kV	4.0 kV
Pollution Degree				3


STL950/..G-5.0-H-GREEN-HC STLZ950/..G-5.08-H-GREEN-HC



Technical Data

Wire Size		Insulating Material	
Solid min	-	Material	PA 6.6
Solid max	-	Flammability Class	UL 94 V-0
Stranded (flexible) min		Temperatures	
Stranded (flexible) max	-	Operating Temperature	-30 °C - 105 °C
Stranded with Ferrule min		Wave Soldering Process	
Stranded with Ferrule max	-	Soldering Temperature, recommended	265 °C
		Peak Soldering Time, recommended	3-4 s
Dimensions		Reflow Process	
PCB Hole Diameter	1.4 mm	Soldering Temperature, recommended	-
Materials		Peak Soldering Time, recommended	-
Contact Pin	Copper Alloy		

Colours

	GREEN, RAL 6018		BLACK, RAL 9011
	PEBBLE GREY, RAL 7032		LIGHT GREEN, similar RAL 6018

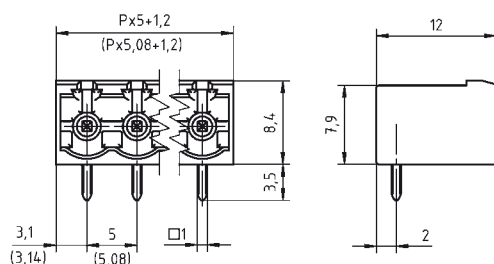
Colours according to RAL, there may be variations on colour due to production conditions. Special colours on request.

Counterparts (Spacing 5.0 mm)

Terminal Block	
AK950	

Counterparts (Spacing 5.08 mm)

Terminal Block	
AKZ950	





Order Data (Spacing 5.0 mm)

Poles	Width (mm)	Article Designation	Article Number	PU
2	11.20	STL950/2G-5.0-H-GREEN-HC	50950025009F	200
3	16.20	STL950/3G-5.0-H-GREEN-HC	50950035009F	200
4	21.20	STL950/4G-5.0-H-GREEN-HC	50950045009F	200
5	26.20	STL950/5G-5.0-H-GREEN-HC	50950055009E	100
6	31.20	STL950/6G-5.0-H-GREEN-HC	50950065009E	100
7	36.20	STL950/7G-5.0-H-GREEN-HC	50950075009E	100
8	41.20	STL950/8G-5.0-H-GREEN-HC	50950085009D	50
9	46.20	STL950/9G-5.0-H-GREEN-HC	50950095009D	50
...
12	61.20	STL950/12G-5.0-H-GREEN-HC	50950125009D	50

Order Data (Spacing 5.08 mm)



Poles	Width (mm)	Article Designation	Article Number	PU
2	11.36	STLZ950/2G-5.08-H-GREEN-HC	50950025029F	200
3	16.44	STLZ950/3G-5.08-H-GREEN-HC	50950035029F	200
4	21.52	STLZ950/4G-5.08-H-GREEN-HC	50950045029F	200
5	26.60	STLZ950/5G-5.08-H-GREEN-HC	50950055029E	100
6	31.68	STLZ950/6G-5.08-H-GREEN-HC	50950065029E	100
7	36.76	STLZ950/7G-5.08-H-GREEN-HC	50950075029E	100
8	41.84	STLZ950/8G-5.08-H-GREEN-HC	50950085029D	50
9	46.92	STLZ950/9G-5.08-H-GREEN-HC	50950095029D	50
...
12	62.16	STLZ950/12G-5.08-H-GREEN-HC	50950125029D	50

Accessories

Figure	Designation	Article Number
	Coding Star CS2-5.0/5.08-RED	50000000024
	Separating Element SE-STL950-GREEN	50950000002

See pages 214/215 for details and general accessories, and see pages 8/9 concerning services.

Ratings

Usegroup	c 			
	B	C	D	
Rated Voltage	300 V	150 V	300 V	250 V
Rated Current	16 A	16 A	10 A	16 A
Overvoltage Category				III
Test Voltage	1.6 kV	1.6 kV	1.6 kV	4.0 kV
Pollution Degree				3

STL950/..F-5.0-H-GREEN STLZ950/..F-5.08-H-GREEN



Technical Data

Wire Size		Insulating Material	
Solid min	-	Material	PA 6.6
Solid max	-	Flammability Class	UL 94 V-0
Stranded (flexible) min		Temperatures	
Stranded (flexible) max	-	Operating Temperature	-30 °C - 105 °C
Stranded with Ferrule min		Wave Soldering Process	
Stranded with Ferrule max	-	Soldering Temperature, recommended	265 °C
Dimensions		Peak Soldering Time, recommended	3-4 s
PCB Hole Diameter	1.4 mm	Reflow Process	
Materials		Soldering Temperature, recommended	-
Thread Insert, Flange	Brass	Peak Soldering Time, recommended	-
Contact Pin	Copper Alloy		

Colours

	GREEN, RAL 6018		BASALT GREY, RAL 7012
	LIGHT GREEN, similar RAL 6018		

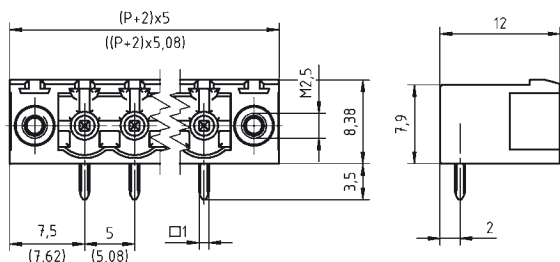
Colours according to RAL, there may be variations on colour due to production conditions. Special colours on request.

Counterparts (Spacing 5.0 mm)

Terminal Block		
AK950	AK4951	AK955

Counterparts (Spacing 5.08 mm)

Terminal Block				
AKZ950	AKZ1200	AKZ1100	AKZ1110	AKZ4951



Order Data (Spacing 5.0 mm)

Poles	Width (mm)	Article Designation	Article Number	PU
2	20.00	STL950/2F-5.0-H-GREEN	50950026001E	100
3	25.00	STL950/3F-5.0-H-GREEN	50950036001E	100
4	30.00	STL950/4F-5.0-H-GREEN	50950046001E	100
5	35.00	STL950/5F-5.0-H-GREEN	50950056001E	100
6	40.00	STL950/6F-5.0-H-GREEN	50950066001D	50
7	45.00	STL950/7F-5.0-H-GREEN	50950076001D	50
8	50.00	STL950/8F-5.0-H-GREEN	50950086001D	50
9	55.00	STL950/9F-5.0-H-GREEN	50950096001D	50
...
24	130.00	STL950/24F-5.0-H-GREEN	50950246001D	50

Order Data (Spacing 5.08 mm)

Poles	Width (mm)	Article Designation	Article Number	PU
2	20.32	STLZ950/2F-5.08-H-GREEN	50950026021E	100
3	25.40	STLZ950/3F-5.08-H-GREEN	50950036021E	100
4	30.48	STLZ950/4F-5.08-H-GREEN	50950046021E	100
5	35.56	STLZ950/5F-5.08-H-GREEN	50950056021E	100
6	40.64	STLZ950/6F-5.08-H-GREEN	50950066021D	50
7	45.72	STLZ950/7F-5.08-H-GREEN	50950076021D	50
8	50.80	STLZ950/8F-5.08-H-GREEN	50950086021D	50
9	55.88	STLZ950/9F-5.08-H-GREEN	50950096021D	50
...
24	132.08	STLZ950/24F-5.08-H-GREEN	50950246021D	50

Accessories

Figure	Designation	Article Number
	Coding Star CS2-5.0/5.08-RED	50000000024
	Separating Element SE-STL950-GREEN	50950000002

See pages 214/215 for details and general accessories, and see pages 8/9 concerning services.

Ratings

Usegroup	c			
	B	C	D	
Rated Voltage	300 V	150 V	300 V	250 V
Rated Current	15 A	15 A	10 A	12 A
Overvoltage Category				III
Test Voltage	1.6 kV	1.6 kV	1.6 kV	4.0 kV
Pollution Degree				3

STL950/..F-5.0-H-GREEN-HC STLZ950/..F-5.08-H-GREEN-HC



Technical Data

Wire Size		Insulating Material	
Solid min	-	Material	PA 6.6
Solid max	-	Flammability Class	UL 94 V-0
Stranded (flexible) min		Temperatures	
Stranded (flexible) max	-	Operating Temperature	-30 °C - 105 °C
Stranded with Ferrule min		Wave Soldering Process	
Stranded with Ferrule max	-	Soldering Temperature, recommended	265 °C
Dimensions		Peak Soldering Time, recommended	3-4 s
PCB Hole Diameter	1.4 mm	Reflow Process	
Materials		Soldering Temperature, recommended	-
Thread Insert, Flange	Brass	Peak Soldering Time, recommended	-
Contact Pin	Copper Alloy		

Colours

- GREEN, RAL 6018
- LIGHT GREEN, similar RAL 6018

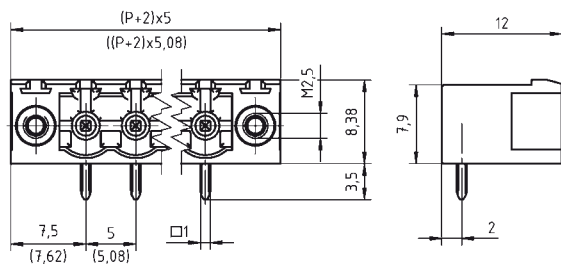
Colours according to RAL, there may be variations on colour due to production conditions. Special colours on request.

Counterparts (Spacing 5.0 mm)

Terminal Block	
AK950	

Counterparts (Spacing 5.08 mm)

Terminal Block	
AKZ950	





Order Data (Spacing 5.0 mm)

Poles	Width (mm)	Article Designation	Article Number	PU
2	20.00	STL950/2F-5.0-H-GREEN-HC	50950026019E	100
3	25.00	STL950/3F-5.0-H-GREEN-HC	50950036019E	100
4	30.00	STL950/4F-5.0-H-GREEN-HC	50950046019D	50
5	35.00	STL950/5F-5.0-H-GREEN-HC	50950056019D	50
6	40.00	STL950/6F-5.0-H-GREEN-HC	50950066019D	50
7	45.00	STL950/7F-5.0-H-GREEN-HC	50950076019D	50
8	50.00	STL950/8F-5.0-H-GREEN-HC	50950086019D	50
9	55.00	STL950/9F-5.0-H-GREEN-HC	50950096019D	50
...
12	70.00	STL950/12F-5.0-H-GREEN-HC	50950126019D	50

Order Data (Spacing 5.08 mm)



Poles	Width (mm)	Article Designation	Article Number	PU
2	20.32	STLZ950/2F-5.08-H-GREEN-HC	50950026039E	100
3	25.40	STLZ950/3F-5.08-H-GREEN-HC	50950036039E	100
4	30.48	STLZ950/4F-5.08-H-GREEN-HC	50950046039D	50
5	35.56	STLZ950/5F-5.08-H-GREEN-HC	50950056039D	50
6	40.64	STLZ950/6F-5.08-H-GREEN-HC	50950066039D	50
7	45.72	STLZ950/7F-5.08-H-GREEN-HC	50950076039D	50
8	50.80	STLZ950/8F-5.08-H-GREEN-HC	50950086039D	50
9	55.88	STLZ950/9F-5.08-H-GREEN-HC	50950096039D	50
...
12	71.12	STLZ950/12F-5.08-H-GREEN-HC	50950126039D	50

Accessories

Figure	Designation	Article Number
	Coding Star CS2-5.0/5.08-RED	50000000024
	Separating Element SE-STL950-GREEN	50950000002

See pages 214/215 for details and general accessories, and see pages 8/9 concerning services.

Ratings

Usegroup				
	B	C	D	
Rated Voltage	300 V	150 V	300 V	250 V
Rated Current	16 A	16 A	10 A	16 A
Overvoltage Category				III
Test Voltage	1.6 kV	1.6 kV	1.6 kV	4.0 kV
Pollution Degree				3

STLZ950/..-5.08-H-GREEN-INV



Technical Data

Wire Size		Insulating Material	
Solid min	-	Material	PA 6.6
Solid max	-	Flammability Class	UL 94 V-0
Stranded (flexible) min		Temperatures	
Stranded (flexible) max	-	Operating Temperature	-30 °C - 105 °C
Stranded with Ferrule min		Wave Soldering Process	
Stranded with Ferrule max	-	Soldering Temperature, recommended	265 °C
Dimensions		Peak Soldering Time, recommended	3-4 s
PCB Hole Diameter	1.4 mm	Reflow Process	
Materials		Soldering Temperature, recommended	-
Contact Spring	Bronze	Peak Soldering Time, recommended	-

Colours

- GREEN, RAL 6018
- LIGHT GREEN, similar RAL 6018

Colours according to RAL, there may be variations on colour due to production conditions. Special colours on request.


Counterparts (Spacing 5.08 mm)

Terminal Block/ Pin Strip				
AKZ950-INV	STLZ950	STLZ990	STLZ970	AKZS950

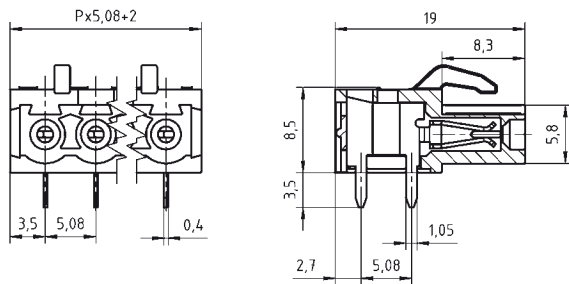
Order Data (Spacing 5.08 mm)

Poles	Width (mm)	Article Designation	Article Number	PU
2	12.16	STLZ950/2-5.08-H-GREEN-INV	50950029021F	200
3	17.24	STLZ950/3-5.08-H-GREEN-INV	50950039021F	200
4	22.32	STLZ950/4-5.08-H-GREEN-INV	50950049021F	200
5	27.40	STLZ950/5-5.08-H-GREEN-INV	50950059021E	100
6	32.48	STLZ950/6-5.08-H-GREEN-INV	50950069021E	100
7	37.56	STLZ950/7-5.08-H-GREEN-INV	50950079021E	100
8	42.64	STLZ950/8-5.08-H-GREEN-INV	50950089021D	50
9	47.72	STLZ950/9-5.08-H-GREEN-INV	50950099021D	50
10	52.80	STLZ950/10-5.08-H-GREEN-INV	50950109021D	50
11	57.88	STLZ950/11-5.08-H-GREEN-INV	50950119021D	50
12	62.96	STLZ950/12-5.08-H-GREEN-INV	50950129021D	50
13	68.04	STLZ950/13-5.08-H-GREEN-INV	50950139021D	50
14	73.12	STLZ950/14-5.08-H-GREEN-INV	50950149021D	50
15	78.20	STLZ950/15-5.08-H-GREEN-INV	50950159021D	50
16	83.28	STLZ950/16-5.08-H-GREEN-INV	50950169021D	50
17	88.36	STLZ950/17-5.08-H-GREEN-INV	50950179021D	50
18	93.44	STLZ950/18-5.08-H-GREEN-INV	50950189021D	50
19	98.52	STLZ950/19-5.08-H-GREEN-INV	50950199021D	50
20	103.60	STLZ950/20-5.08-H-GREEN-INV	50950209021D	50
21	108.68	STLZ950/21-5.08-H-GREEN-INV	50950219021D	50
22	113.76	STLZ950/22-5.08-H-GREEN-INV	50950229021D	50
23	118.84	STLZ950/23-5.08-H-GREEN-INV	50950239021D	50
24	123.92	STLZ950/24-5.08-H-GREEN-INV	50950249021D	50



Accessories

Figure	Designation	Article Number
	Coding Star CS4-5.0/5.08-RED	50000000026

See pages 214/215 for details and general accessories, and see pages 8/9 concerning services.



Ratings

Usegroup				
	B	C	D	
Rated Voltage	300 V	-	300 V	250 V
Rated Current	10 A	-	10 A	12 A
Overvoltage Category				III
Test Voltage	1.6 kV	-	1.6 kV	4.0 kV
Pollution Degree				3

* Approval Pending

STL955/..-5.0-OL-GREEN



Technical Data

Wire Size		Insulating Material	
Solid min	-	Material	PA 6.6
Solid max	-	Flammability Class	UL 94 V-0
Stranded (flexible) min	-	Temperatures	
Stranded (flexible) max	-	Operating Temperature	-30 °C - 105 °C
Stranded with Ferrule min	-	Wave Soldering Process	
Stranded with Ferrule max	-	Soldering Temperature, recommended	265 °C
Dimensions		Peak Soldering Time, recommended	3-4 s
PCB Hole Diameter	1.6 mm	Reflow Process	
Materials		Soldering Temperature, recommended	-
Contact Pin	Brass	Peak Soldering Time, recommended	-

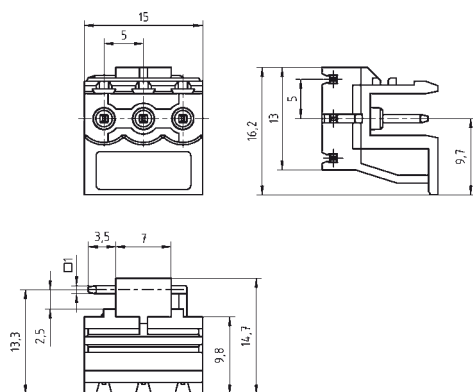
Colours

- GREEN, RAL 6018
- LIGHT GREEN, similar RAL 6018

Colours according to RAL, there may be variations on colour due to production conditions. Special colours on request.

Counterparts (Spacing 5.0 mm)


Terminal Block					
AK950	AK1100	AK1110	AK3950	AK955	AK4951



Order Data (Spacing 5.0 mm)



Poles	Width (mm)	Article Designation	Article Number	PU
3	15.00	STL955/3-5.0-OL-GREEN	50955035061D	50
4	20.00	STL955/4-5.0-OL-GREEN	50955045061D	50

Accessories

Figure	Designation	Article Number
	Coding Star CS3-5.0/5.08-RED	50000000025

See pages 214/215 for details and general accessories, and see pages 8/9 concerning services.

Ratings

Usegroup				
	B	C	D	
Rated Voltage	300 V	-	300 V	250 V
Rated Current	10 A	-	10 A	9 A
Overtoltage Category				III
Test Voltage	1.6 kV	-	1.6 kV	2.0 kV
Pollution Degree				3

* Approval Pending

STL955/..-5.0-OR-GREEN



Technical Data

Wire Size		Insulating Material	
Solid min	-	Material	PA 6.6
Solid max	-	Flammability Class	UL 94 V-0
Stranded (flexible) min		Temperatures	
Stranded (flexible) max	-	Operating Temperature	-30 °C - 105 °C
Stranded with Ferrule min		Wave Soldering Process	
Stranded with Ferrule max	-	Soldering Temperature, recommended	265 °C
		Peak Soldering Time, recommended	3-4 s
Dimensions		Reflow Process	
PCB Hole Diameter	1.6 mm	Soldering Temperature, recommended	-
Materials		Peak Soldering Time, recommended	-
Contact Pin	Brass		

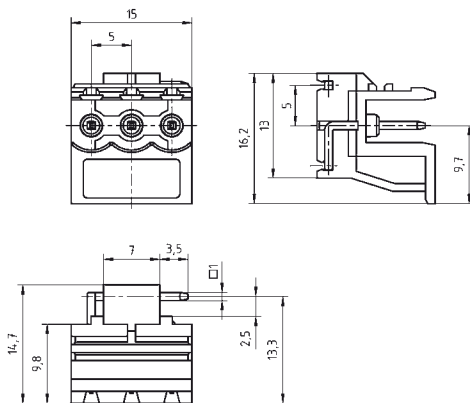
Colours

- GREEN, RAL 6018
- LIGHT GREEN, similar RAL 6018

Colours according to RAL, there may be variations on colour due to production conditions. Special colours on request.

Counterparts (Spacing 5.0 mm)


Terminal Block					
AK950	AK1100	AK1110	AK3950	AK955	AK4951



Order Data (Spacing 5.0 mm)



Poles	Width (mm)	Article Designation	Article Number	PU
3	15.00	STL955/3-5.0-OR-GREEN	50955035071D	50
4	20.00	STL955/4-5.0-OR-GREEN	50955045071D	50

Accessories

Figure	Designation	Article Number
	Coding Star CS3-5.0/5.08-RED	50000000025

See pages 214/215 for details and general accessories, and see pages 8/9 concerning services.

Ratings

Usegroup				
	B	C	D	
Rated Voltage	300 V	-	300 V	250 V
Rated Current	10 A	-	10 A	9 A
Overvoltage Category				III
Test Voltage	1.6 kV	-	1.6 kV	2.0 kV
Pollution Degree				3

* Approval Pending

STLZ970/..-5.08-V-GREEN



Technical Data

Wire Size		Insulating Material	
Solid min	-	Material	PBT
Solid max	-	Flammability Class	UL 94 V-0
Stranded (flexible) min		Temperatures	
Stranded (flexible) max	-	Operating Temperature	-30 °C - 105 °C
Stranded with Ferrule min		Wave Soldering Process	
Stranded with Ferrule max	-	Soldering Temperature, recommended	265 °C
Dimensions		Peak Soldering Time, recommended	3-4 s
PCB Hole Diameter	1.4 mm	Reflow Process	
Materials		Soldering Temperature, recommended	-
Contact Pin	Copper Alloy	Peak Soldering Time, recommended	-

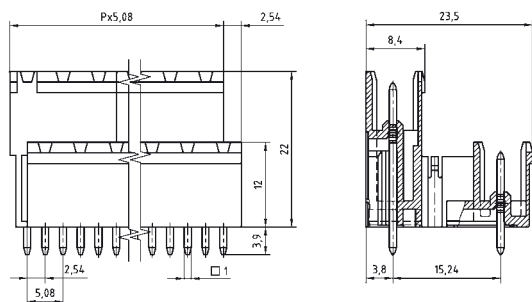
Colours

 GREEN, RAL 6018	 PEBBLE GREY, RAL 7032
---	---

Colours according to RAL, there may be variations on colour due to production conditions. Special colours on request.

Counterparts (Spacing 5.08 mm)



Terminal Block/ Pin Strip				
AKZ950	AKZ1100	AKZ1200	AKZ4951	STLZ950-INV



Order Data (Spacing 5.08 mm)



Poles	Width (mm)	Article Designation	Article Number	PU
2	12.70	STLZ970/2-5.08-V-GREEN	50970025131E	100
3	17.78	STLZ970/3-5.08-V-GREEN	50970035131E	100
4	22.86	STLZ970/4-5.08-V-GREEN	50970045131E	100
5	27.94	STLZ970/5-5.08-V-GREEN	50970055131D	50
6	33.02	STLZ970/6-5.08-V-GREEN	50970065131D	50
7	38.10	STLZ970/7-5.08-V-GREEN	50970075131D	50
8	43.18	STLZ970/8-5.08-V-GREEN	50970085131D	50
9	48.26	STLZ970/9-5.08-V-GREEN	50970095131D	50
10	53.34	STLZ970/10-5.08-V-GREEN	50970105131D	50
11	58.42	STLZ970/11-5.08-V-GREEN	50970115131D	50
12	63.50	STLZ970/12-5.08-V-GREEN	50970125131D	50

Accessories

Figure	Bezeichnung	Article Number
	Coding Star CS2-5.0/5.08-RED	50000000024
	Separating Element SE-STL950-GREEN	50950000002

See pages 214/215 for details and general accessories, and see pages 8/9 concerning services.

Ratings

Usegroup	C 			
	B	C	D	
Rated Voltage	300 V	150 V	300 V	250 V
Rated Current	15 A	15 A	10 A	12 A
Overvoltage Category				III
Test Voltage	1.6 kV	1.6 kV	1.6 kV	4.0 kV
Pollution Degree				3

STLZ970/..-5.08-H-GREEN



Technical Data

Wire Size		Insulating Material	
Solid min	-	Material	PBT
Solid max	-	Flammability Class	UL 94 V-0
Stranded (flexible) min		Temperatures	
Stranded (flexible) max	-	Operating Temperature	-30 °C - 105 °C
Stranded with Ferrule min		Wave Soldering Process	
Stranded with Ferrule max	-	Soldering Temperature, recommended	265 °C
Dimensions		Peak Soldering Time, recommended	
PCB Hole Diameter	1.4 mm	Reflow Process	
Materials		Soldering Temperature, recommended	
Contact Pin	Copper Alloy	Peak Soldering Time, recommended	-

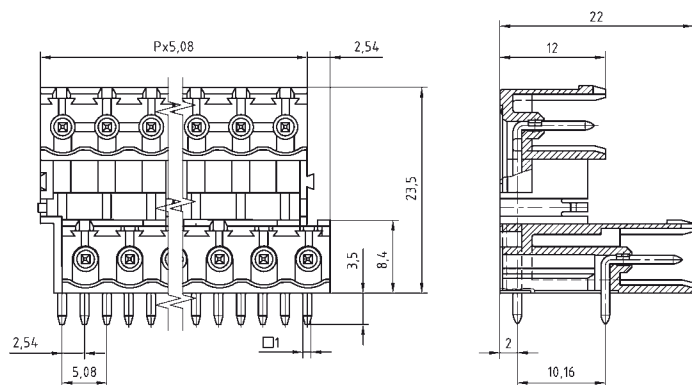
Colours

- GREEN, RAL 6018
- PEBBLE GREY, RAL 7032
- LIGHT GREEN, similar RAL 6018

Colours according to RAL, there may be variations on colour due to production conditions. Special colours on request.

Counterparts (Spacing 5.08 mm)



Terminal Block/ Pin Strip				
AKZ950	AKZ1100	AKZ1200	AKZ4951	STLZ950-INV



Order Data (Spacing 5.08 mm)



Poles	Width (mm)	Article Designation	Article Number	PU
2	12.70	STLZ970/2-5.08-H-GREEN	50970025031E	100
3	17.78	STLZ970/3-5.08-H-GREEN	50970035031E	100
4	22.86	STLZ970/4-5.08-H-GREEN	50970045031E	100
5	27.94	STLZ970/5-5.08-H-GREEN	50970055031D	50
6	33.02	STLZ970/6-5.08-H-GREEN	50970065031D	50
7	38.10	STLZ970/7-5.08-H-GREEN	50970075031D	50
8	43.18	STLZ970/8-5.08-H-GREEN	50970085031D	50
9	48.26	STLZ970/9-5.08-H-GREEN	50970095031D	50
10	53.34	STLZ970/10-5.08-H-GREEN	50970105031D	50
11	58.42	STLZ970/11-5.08-H-GREEN	50970115031D	50
12	63.50	STLZ970/12-5.08-H-GREEN	50970125031D	50

Accessories

Figure	Designation	Article Number
	Coding Star CS2-5.0/5.08-RED	50000000024
	Separating Element SE-STL950-GREEN	50950000002

See pages 214/215 for details and general accessories, and see pages 8/9 concerning services.

Ratings

Usegroup	c 			
	B	C	D	
Rated Voltage	300 V	150 V	300 V	250 V
Rated Current	15 A	15 A	10 A	12 A
Overvoltage Category				III
Test Voltage	1.6 kV	1.6 kV	1.6 kV	4.0 kV
Pollution Degree				3

STLZ970/..G-5.08-V-GREEN



Technical Data

Wire Size		Insulating Material	
Solid min	-	Material	PBT
Solid max	-	Flammability Class	UL 94 V-0
Stranded (flexible) min		Temperatures	
Stranded (flexible) max		Operating Temperature	-30 °C - 105 °C
Stranded with Ferrule min		Wave Soldering Process	
Stranded with Ferrule max		Soldering Temperature, recommended	265 °C
Dimensions		Peak Soldering Time, recommended	3-4 s
PCB Hole Diameter	1.4 mm	Reflow Process	
Materials		Soldering Temperature, recommended	-
Contact Pin	Copper Alloy	Peak Soldering Time, recommended	-

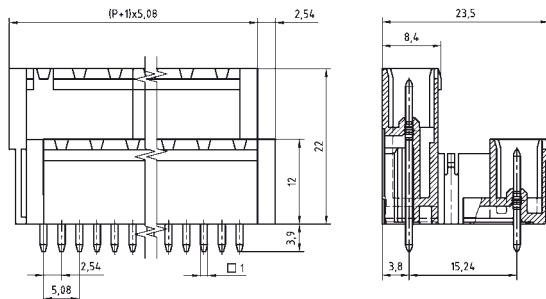
Colours

	GREEN, RAL 6018		PEBBLE GREY, RAL 7032
---	-----------------	---	-----------------------

Colours according to RAL, there may be variations on colour due to production conditions. Special colours on request.

Counterparts (Spacing 5.08 mm)



Terminal Block/ Pin Strip				
AKZ950	AKZ1100	AKZ1200	AKZ4951	STLZ950-INV



Order Data (Spacing 5.08 mm)



Poles	Width (mm)	Article Designation	Article Number	PU
2	17.78	STLZ970/2G-5.08-V-GREEN	50970025121E	100
3	22.86	STLZ970/3G-5.08-V-GREEN	50970035121E	100
4	27.94	STLZ970/4G-5.08-V-GREEN	50970045121E	100
5	33.02	STLZ970/5G-5.08-V-GREEN	50970055121D	50
6	38.10	STLZ970/6G-5.08-V-GREEN	50970065121D	50
7	43.18	STLZ970/7G-5.08-V-GREEN	50970075121D	50
8	48.26	STLZ970/8G-5.08-V-GREEN	50970085121D	50
9	53.34	STLZ970/9G-5.08-V-GREEN	50970095121D	50
10	58.42	STLZ970/10G-5.08-V-GREEN	50970105121D	50
11	63.50	STLZ970/11G-5.08-V-GREEN	50970115121D	50
12	68.58	STLZ970/12G-5.08-V-GREEN	50970125121D	50

Accessories

Figure	Designation	Article Number
	Coding Star CS2-5.0/5.08-RED	50000000024
	Separating Element SE-STL950-GREEN	50950000002

See pages 214/215 for details and general accessories, and see pages 8/9 concerning services.

Ratings

Usegroup				
	B	C	D	
Rated Voltage	300 V	150 V	300 V	250 V
Rated Current	15 A	15 A	10 A	12 A
Overvoltage Category				III
Test Voltage	1.6 kV	1.6 kV	1.6 kV	4.0 kV
Pollution Degree				3

STLZ970/..G-5.08-H-GREEN



Technical Data

Wire Size		Insulating Material	
Solid min	-	Material	PBT
Solid max	-	Flammability Class	UL 94 V-0
Stranded (flexible) min		Temperatures	
Stranded (flexible) max	-	Operating Temperature	-30 °C - 105 °C
Stranded with Ferrule min		Wave Soldering Process	
Stranded with Ferrule max	-	Soldering Temperature, recommended	265 °C
		Peak Soldering Time, recommended	3-4 s
Dimensions		Reflow Process	
PCB Hole Diameter	1.4 mm	Soldering Temperature, recommended	-
Materials		Peak Soldering Time, recommended	-
Contact Pin	Copper Alloy		

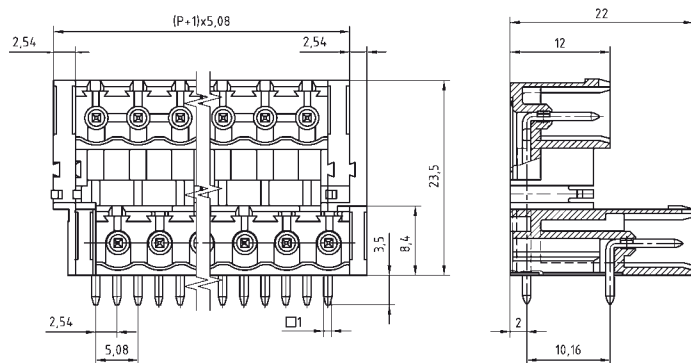
Colours

	GREEN, RAL 6018		PEBBLE GREY, RAL 7032
	LIGHT GREEN, similar RAL 6018		

Colours according to RAL, there may be variations on colour due to production conditions. Special colours on request.

Counterparts (Spacing 5.08 mm)

Terminal Block/ Pin Strip				
AKZ950	AKZ1100	AKZ1200	AKZ4951	STLZ950-INV



Order Data (Spacing 5.08 mm)

Poles	Width (mm)	Article Designation	Article Number	PU
2	17.78	STLZ970/2G-5.08-H-GREEN	50970025021E	100
3	22.86	STLZ970/3G-5.08-H-GREEN	50970035021E	100
4	27.94	STLZ970/4G-5.08-H-GREEN	50970045021E	100
5	33.02	STLZ970/5G-5.08-H-GREEN	50970055021D	50
6	38.10	STLZ970/6G-5.08-H-GREEN	50970065021D	50
7	43.18	STLZ970/7G-5.08-H-GREEN	50970075021D	50
8	48.26	STLZ970/8G-5.08-H-GREEN	50970085021D	50
9	53.34	STLZ970/9G-5.08-H-GREEN	50970095021D	50
10	58.42	STLZ970/10G-5.08-H-GREEN	50970105021D	50
11	63.50	STLZ970/11G-5.08-H-GREEN	50970115021D	50
12	68.58	STLZ970/12G-5.08-H-GREEN	50970125021D	50

Accessories

Figure	Designation	Article Number
	Coding Star CS2-5.0/5.08-RED	50000000024
	Separating Element SE-STL950-GREEN	50950000002

See pages 214/215 for details and general accessories, and see pages 8/9 concerning services.

Ratings

Usegroup	cULus			VDE
	B	C	D	
Rated Voltage	300 V	150 V	300 V	250 V
Rated Current	15 A	15 A	10 A	12 A
Overvoltage Category				III
Test Voltage	1.6 kV	1.6 kV	1.6 kV	4.0 kV
Pollution Degree				3


STLZ970/..F-5.08-V-GREEN



Technical Data

Wire Size		Insulating Material	
Solid min	-	Material	PBT
Solid max	-	Flammability Class	UL 94 V-0
Stranded (flexible) min		Temperatures	
Stranded (flexible) max		Operating Temperature	
Stranded with Ferrule min		-30 °C - 105 °C	
Stranded with Ferrule max		Wave Soldering Process	
Stranded with Ferrule min		Soldering Temperature, recommended	
Stranded with Ferrule max		265 °C	
Dimensions		Peak Soldering Time, recommended	
PCB Hole Diameter	1.4 mm	3-4 s	
Materials		Reflow Process	
Thread Insert, Flange	Brass	Soldering Temperature, recommended	
Contact Pin	Copper Alloy	Peak Soldering Time, recommended	
		-	

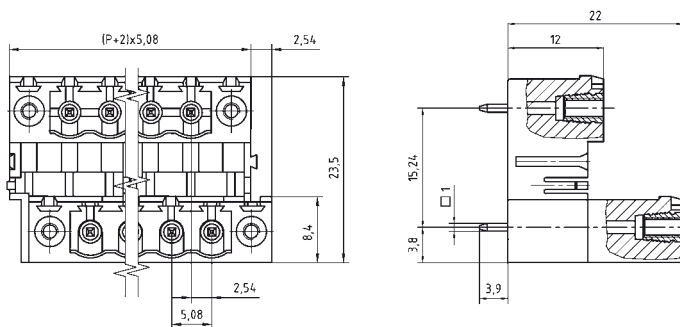
Colours

 GREEN, RAL 6018

Colours according to RAL, there may be variations on colour due to production conditions. Special colours on request.

Counterparts (Spacing 5.08 mm)



Terminal Block				
AKZ950	AKZ1100	AKZ1110	AKZ1200	AKZ4951



Order Data (Spacing 5.08 mm)



Poles	Width (mm)	Article Designation	Article Number	PU
2	22.86	STLZ970/2F-5.08-V-GREEN	50970026121D	50
3	27.94	STLZ970/3F-5.08-V-GREEN	50970036121D	50
4	33.02	STLZ970/4F-5.08-V-GREEN	50970046121D	50
5	38.10	STLZ970/5F-5.08-V-GREEN	50970056121D	50
6	43.18	STLZ970/6F-5.08-V-GREEN	50970066121D	50
7	48.26	STLZ970/7F-5.08-V-GREEN	50970076121D	50
8	53.34	STLZ970/8F-5.08-V-GREEN	50970086121D	50
9	58.42	STLZ970/9F-5.08-V-GREEN	50970096121D	50
10	63.50	STLZ970/10F-5.08-V-GREEN	50970106121D	50
11	68.58	STLZ970/11F-5.08-V-GREEN	50970116121D	50
12	73.66	STLZ970/12F-5.08-V-GREEN	50970126121D	50

Accessories

Figure	Designation	Article Number
	Coding Star CS2-5.0/5.08-RED	50000000024
	Separating Element SE-STL950-GREEN	50950000002

See pages 214/215 for details and general accessories, and see pages 8/9 concerning services.

Ratings

Usegroup				
	B	C	D	
Rated Voltage	300 V	150 V	300 V	250 V
Rated Current	15 A	15 A	10 A	12 A
Overvoltage Category				III
Test Voltage	1.6 kV	1.6 kV	1.6 kV	4.0 kV
Pollution Degree				3

STLZ970/..F-5.08-H-GREEN



Technical Data

Wire Size		Insulating Material	
Solid min	-	Material	PBT
Solid max	-	Flammability Class	UL 94 V-0
Stranded (flexible) min		Temperatures	
Stranded (flexible) max	-	Operating Temperature	-30 °C - 105 °C
Stranded with Ferrule min		Wave Soldering Process	
Stranded with Ferrule max	-	Soldering Temperature, recommended	265 °C
		Peak Soldering Time, recommended	3-4 s
Dimensions		Reflow Process	
PCB Hole Diameter	1.4 mm	Soldering Temperature, recommended	-
Materials		Peak Soldering Time, recommended	-
Thread Insert, Flange	Brass		
Contact Pin	Copper Alloy		

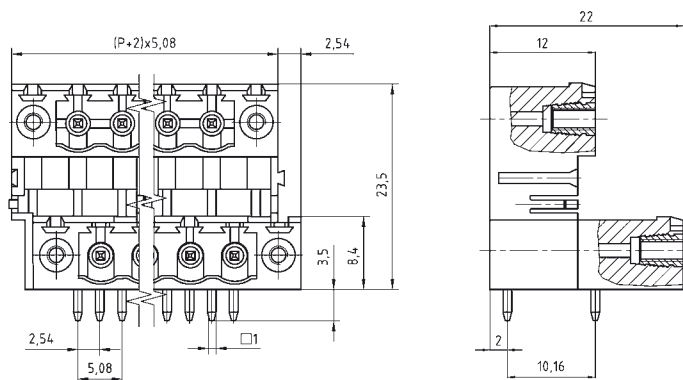
Colours

- GREEN, RAL 6018
- LIGHT GREEN, similar RAL 6018

Colours according to RAL, there may be variations on colour due to production conditions. Special colours on request.

Counterparts (Spacing 5.08 mm)



Terminal Block				
AKZ950	AKZ1100	AKZ1110	AKZ1200	AKZ4951



Order Data (Spacing 5.08 mm)

Poles	Width (mm)	Article Designation	Article Number	PU
2	22.86	STLZ970/2F-5.08-H-GREEN	50970026021D	50
3	27.94	STLZ970/3F-5.08-H-GREEN	50970036021D	50
4	33.02	STLZ970/4F-5.08-H-GREEN	50970046021D	50
5	38.10	STLZ970/5F-5.08-H-GREEN	50970056021D	50
6	43.18	STLZ970/6F-5.08-H-GREEN	50970066021D	50
7	48.26	STLZ970/7F-5.08-H-GREEN	50970076021D	50
8	53.34	STLZ970/8F-5.08-H-GREEN	50970086021D	50
9	58.42	STLZ970/9F-5.08-H-GREEN	50970096021D	50
10	63.50	STLZ970/10F-5.08-H-GREEN	50970106021D	50
11	68.58	STLZ970/11F-5.08-H-GREEN	50970116021D	50
12	73.66	STLZ970/12F-5.08-H-GREEN	50970126021D	50

Accessories

Figure	Designation	Article Number
	Coding Star CS2-5.0/5.08-RED	50000000024
	Separating Element SE-STL950-GREEN	50950000002

See pages 214/215 for details and general accessories, and see pages 8/9 concerning services.

Ratings

Usegroup	UL US			VDE
	B	C	D	
Rated Voltage	300 V	150 V	300 V	250 V
Rated Current	15 A	15 A	10 A	12 A
Overvoltage Category				III
Test Voltage	1.6 kV	1.6 kV	1.6 kV	4.0 kV
Pollution Degree				3

STL975/..G-5.0-V-GREEN



Technical Data

Wire Size		Insulating Material	
Solid min	-	Material	PA 6.6
Solid max	-	Flammability Class	UL 94 V-0
Stranded (flexible) min		Temperatures	
Stranded (flexible) max		Operating Temperature	
Stranded with Ferrule min		-30 °C - 105 °C	
Stranded with Ferrule max		Wave Soldering Process	
Soldering Temperature, recommended		265 °C	
Peak Soldering Time, recommended		3-4 s	
Dimensions		Reflow Process	
PCB Hole Diameter	1.4 mm	Soldering Temperature, recommended	
Materials		Peak Soldering Time, recommended	
Contact Pin	Copper Alloy	-	

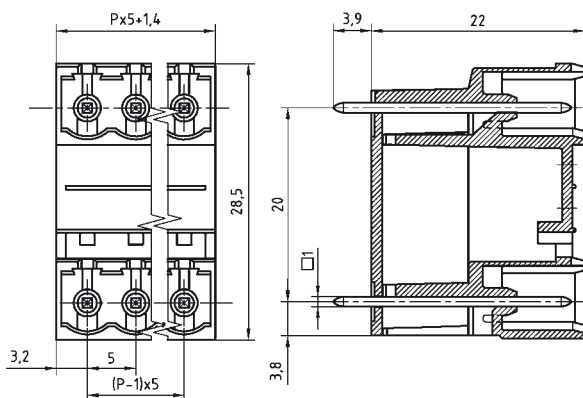
Colours

 GREEN, RAL 6018	 LIGHT GREEN, similar RAL 6018
---	---

Colours according to RAL, there may be variations on colour due to production conditions. Special colours on request.

Counterparts (Spacing 5.0 mm)



Terminal Block					
AK950	AK1100	AK1110	AK955	AK3950	AK4951



Order Data (Spacing 5.0 mm)



Poles	Width (mm)	Article Designation	Article Number	PU
2	11.40	STL975/2G-5.0-V-GREEN	50975025101D	50
3	16.40	STL975/3G-5.0-V-GREEN	50975035101D	50
4	21.40	STL975/4G-5.0-V-GREEN	50975045101D	50
5	26.40	STL975/5G-5.0-V-GREEN	50975055101D	50
6	31.40	STL975/6G-5.0-V-GREEN	50975065101D	50
7	36.40	STL975/7G-5.0-V-GREEN	50975075101D	50
8	41.40	STL975/8G-5.0-V-GREEN	50975085101D	50
9	46.40	STL975/9G-5.0-V-GREEN	50975095101D	50
10	51.40	STL975/10G-5.0-V-GREEN	50975105101D	50
11	56.40	STL975/11G-5.0-V-GREEN	50975115101D	50
12	61.40	STL975/12G-5.0-V-GREEN	50975125101D	50
13	66.40	STL975/13G-5.0-V-GREEN	50975135101D	50
14	71.40	STL975/14G-5.0-V-GREEN	50975145101D	50
15	76.40	STL975/15G-5.0-V-GREEN	50975155101D	50
16	81.40	STL975/16G-5.0-V-GREEN	50975165101D	50
17	86.40	STL975/17G-5.0-V-GREEN	50975175101D	50
18	91.40	STL975/18G-5.0-V-GREEN	50975185101D	50
19	96.40	STL975/19G-5.0-V-GREEN	50975195101D	50
20	101.40	STL975/20G-5.0-V-GREEN	50975205101D	50
21	106.40	STL975/21G-5.0-V-GREEN	50975215101D	50
22	111.40	STL975/22G-5.0-V-GREEN	50975225101D	50
23	116.40	STL975/23G-5.0-V-GREEN	50975235101D	50
24	121.40	STL975/24G-5.0-V-GREEN	50975245101D	50

Accessories

Figure	Designation	Article Number
	Coding Star CS2-5.0/5.08-RED	50000000024
	Separating Element SE-STL950-GREEN	50950000002

See pages 214/215 for details and general accessories, and see pages 8/9 concerning services.

Ratings

Usegroup				
	B	C	D	
Rated Voltage	300 V	150 V	300 V	250 V
Rated Current	15 A	15 A	10 A	12 A
Overvoltage Category				III
Test Voltage	1.6 kV	1.6 kV	1.6 kV	4.0 kV
Pollution Degree				3

STL975/..G-5.0-H-GREEN



Technical Data

Wire Size		Insulating Material	
Solid min	-	Material	PA 6.6
Solid max	-	Flammability Class	UL 94 V-0
Stranded (flexible) min		Temperatures	
Stranded (flexible) max	-	Operating Temperature	-30 °C - 105 °C
Stranded with Ferrule min		Wave Soldering Process	
Stranded with Ferrule max	-	Soldering Temperature, recommended	265 °C
		Peak Soldering Time, recommended	3-4 s
Dimensions		Reflow Process	
PCB Hole Diameter	1.4 mm	Soldering Temperature, recommended	-
Materials		Peak Soldering Time, recommended	-
Contact Pin	Copper Alloy		

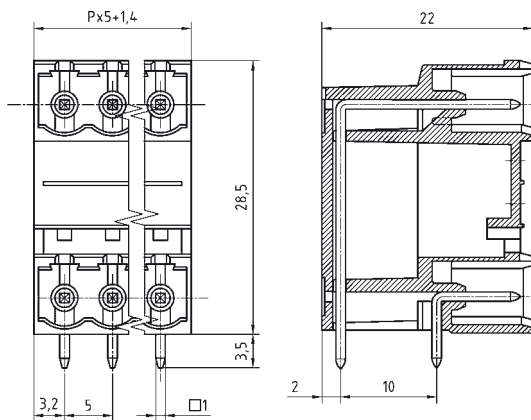
Colours

 GREEN, RAL 6018	 LIGHT GREEN, similar RAL 6018
--	---

Colours according to RAL, there may be variations on colour due to production conditions. Special colours on request.

Counterparts (Spacing 5.0 mm)



Terminal Block					
AK950	AK1100	AK1110	AK955	AK3950	AK4951



Order Data (Spacing 5.0 mm)



Poles	Width (mm)	Article Designation	Article Number	PU
2	11.40	STL975/2G-5.0-H-GREEN	50975025001D	50
3	16.40	STL975/3G-5.0-H-GREEN	50975035001D	50
4	21.40	STL975/4G-5.0-H-GREEN	50975045001D	50
5	26.40	STL975/5G-5.0-H-GREEN	50975055001D	50
6	31.40	STL975/6G-5.0-H-GREEN	50975065001D	50
7	36.40	STL975/7G-5.0-H-GREEN	50975075001D	50
8	41.40	STL975/8G-5.0-H-GREEN	50975085001D	50
9	46.40	STL975/9G-5.0-H-GREEN	50975095001D	50
10	51.40	STL975/10G-5.0-H-GREEN	50975105001D	50
11	56.40	STL975/11G-5.0-H-GREEN	50975115001D	50
12	61.40	STL975/12G-5.0-H-GREEN	50975125001D	50
13	66.40	STL975/13G-5.0-H-GREEN	50975135001D	50
14	71.40	STL975/14G-5.0-H-GREEN	50975145001D	50
15	76.40	STL975/15G-5.0-H-GREEN	50975155001D	50
16	81.40	STL975/16G-5.0-H-GREEN	50975165001D	50
17	86.40	STL975/17G-5.0-H-GREEN	50975175001D	50
18	91.40	STL975/18G-5.0-H-GREEN	50975185001D	50
19	96.40	STL975/19G-5.0-H-GREEN	50975195001D	50
20	101.40	STL975/20G-5.0-H-GREEN	50975205001D	50
21	106.40	STL975/21G-5.0-H-GREEN	50975215001D	50
22	111.40	STL975/22G-5.0-H-GREEN	50975225001D	50
23	116.40	STL975/23G-5.0-H-GREEN	50975235001D	50
24	121.40	STL975/24G-5.0-H-GREEN	50975245001D	50

Accessories

Figure	Designation	Article Number
	Coding Star CS2-5.0/5.08-RED	50000000024
	Separating Element SE-STL950-GREEN	50950000002

See pages 214/215 for details and general accessories, and see pages 8/9 concerning services.

Ratings

Usegroup	c 			
	B	C	D	
Rated Voltage	300 V	150 V	300 V	250 V
Rated Current	15 A	15 A	10 A	12 A
Overvoltage Category				III
Test Voltage	1.6 kV	1.6 kV	1.6 kV	4.0 kV
Pollution Degree				3

STLZ990/..-5.08-GREEN



Technical Data

Wire Size		Insulating Material	
Solid min	-	Material	PA 6.6
Solid max	-	Flammability Class	UL 94 V-0
Stranded (flexible) min		Temperatures	
Stranded (flexible) max		Operating Temperature	-30 °C - 105 °C
Stranded with Ferrule min		Wave Soldering Process	
Stranded with Ferrule max		Soldering Temperature, recommended	265 °C
Dimensions		Peak Soldering Time, recommended	3-4 s
PCB Hole Diameter	1.4 mm	Reflow Process	
Materials		Soldering Temperature, recommended	-
Contact Pin	Copper Alloy	Peak Soldering Time, recommended	-

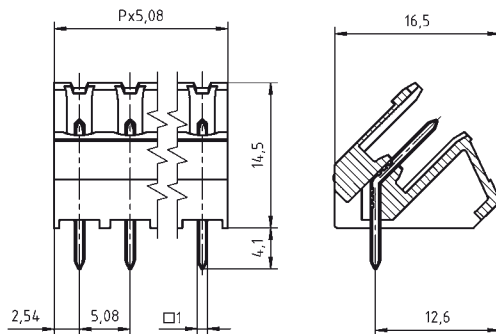
Colours

- GREEN, RAL 6018
- LIGHT GREEN, similar RAL 6018

Colours according to RAL, there may be variations on colour due to production conditions. Special colours on request.

Counterparts (Spacing 5.08 mm)



Terminal Block/ Pin Strip					
AKZ950	AKZ1100	AKZ1110	AKZ1200	AKZ4951	STLZ950-INV



Order Data (Spacing 5.08 mm)

Poles	Width (mm)	Article Designation	Article Number	PU
2	10.16	STLZ990/2-5.08-GREEN	50990025131F	200
3	15.24	STLZ990/3-5.08-GREEN	50990035131F	200
4	20.32	STLZ990/4-5.08-GREEN	50990045131F	200
5	25.40	STLZ990/5-5.08-GREEN	50990055131E	100
6	30.48	STLZ990/6-5.08-GREEN	50990065131E	100
7	35.56	STLZ990/7-5.08-GREEN	50990075131E	100
8	40.64	STLZ990/8-5.08-GREEN	50990085131D	50
9	45.72	STLZ990/9-5.08-GREEN	50990095131D	50
10	50.80	STLZ990/10-5.08-GREEN	50990105131D	50
11	55.88	STLZ990/11-5.08-GREEN	50990115131D	50
12	60.96	STLZ990/12-5.08-GREEN	50990125131D	50
13	66.04	STLZ990/13-5.08-GREEN	50990135131D	50
14	71.12	STLZ990/14-5.08-GREEN	50990145131D	50
15	76.20	STLZ990/15-5.08-GREEN	50990155131D	50
16	81.28	STLZ990/16-5.08-GREEN	50990165131D	50
17	86.36	STLZ990/17-5.08-GREEN	50990175131D	50
18	91.44	STLZ990/18-5.08-GREEN	50990185131D	50
19	96.52	STLZ990/19-5.08-GREEN	50990195131D	50
20	101.60	STLZ990/20-5.08-GREEN	50990205131D	50
21	106.68	STLZ990/21-5.08-GREEN	50990215131D	50
22	111.76	STLZ990/22-5.08-GREEN	50990225131D	50
23	116.84	STLZ990/23-5.08-GREEN	50990235131D	50
24	121.92	STLZ990/24-5.08-GREEN	50990245131D	50

Accessories

Figure	Designation	Article Number
	Coding Star CS2-5.0/5.08-RED	50000000024
	Separating Element SE-STL950-GREEN	50950000002

See pages 214/215 for details and general accessories, and see pages 8/9 concerning services.

Ratings

Usegroup	UL US			VDE
	B	C	D	
Rated Voltage	300 V	150 V	300 V	250 V
Rated Current	15 A	15 A	10 A	12 A
Overvoltage Category				III
Test Voltage	1.6 kV	1.6 kV	1.6 kV	4.0 kV
Pollution Degree				3

STLZ990/..G-5.08-GREEN



Technical Data

Wire Size		Insulating Material	
Solid min	-	Material	PA 6.6
Solid max	-	Flammability Class	UL 94 V-0
Stranded (flexible) min		Temperatures	
Stranded (flexible) max	-	Operating Temperature	-30 °C - 105 °C
Stranded with Ferrule min		Wave Soldering Process	
Stranded with Ferrule max	-	Soldering Temperature, recommended	265 °C
Dimensions		Peak Soldering Time, recommended	3-4 s
PCB Hole Diameter	1.4 mm	Reflow Process	
Materials		Soldering Temperature, recommended	-
Contact Pin	Copper Alloy	Peak Soldering Time, recommended	-

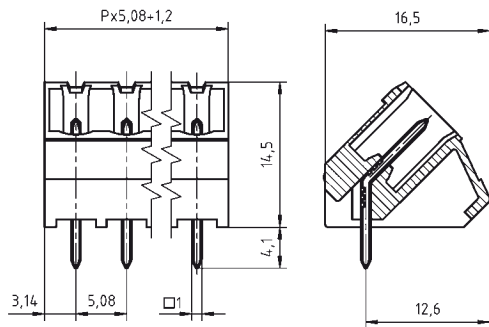
Colours

 GREEN, RAL 6018	 LIGHT GREEN, similar RAL 6018
--	---

Colours according to RAL, there may be variations on colour due to production conditions. Special colours on request.

Counterparts (Spacing 5.08 mm)



Terminal Block/ Pin Strip					
AKZ950	AKZ1100	AKZ1110	AKZ1200	AKZ4951	STLZ950-INV



Order Data (Spacing 5.08 mm)



Poles	Width (mm)	Article Designation	Article Number	PU
2	11.36	STLZ990/2G-5.08-GREEN	50990025121F	200
3	16.44	STLZ990/3G-5.08-GREEN	50990035121F	200
4	21.52	STLZ990/4G-5.08-GREEN	50990045121F	200
5	26.60	STLZ990/5G-5.08-GREEN	50990055121E	100
6	31.68	STLZ990/6G-5.08-GREEN	50990065121E	100
7	36.76	STLZ990/7G-5.08-GREEN	50990075121E	100
8	41.84	STLZ990/8G-5.08-GREEN	50990085121D	50
9	46.92	STLZ990/9G-5.08-GREEN	50990095121D	50
10	52.00	STLZ990/10G-5.08-GREEN	50990105121D	50
11	57.08	STLZ990/11G-5.08-GREEN	50990115121D	50
12	62.16	STLZ990/12G-5.08-GREEN	50990125121D	50
13	67.24	STLZ990/13G-5.08-GREEN	50990135121D	50
14	72.32	STLZ990/14G-5.08-GREEN	50990145121D	50
15	77.40	STLZ990/15G-5.08-GREEN	50990155121D	50
16	82.48	STLZ990/16G-5.08-GREEN	50990165121D	50
17	87.56	STLZ990/17G-5.08-GREEN	50990175121D	50
18	92.64	STLZ990/18G-5.08-GREEN	50990185121D	50
19	97.72	STLZ990/19G-5.08-GREEN	50990195121D	50
20	102.80	STLZ990/20G-5.08-GREEN	50990205121D	50
21	107.88	STLZ990/21G-5.08-GREEN	50990215121D	50
22	112.96	STLZ990/22G-5.08-GREEN	50990225121D	50
23	118.04	STLZ990/23G-5.08-GREEN	50990235121D	50
24	123.12	STLZ990/24G-5.08-GREEN	50990245121D	50

Accessories

Figure	Designation	Article Number
	Coding Star CS2-5.0/5.08-RED	50000000024
	Separating Element SE-STL950-GREEN	50950000002

See pages 214/215 for details and general accessories, and see pages 8/9 concerning services.

Ratings

Usegroup	c 			
	B	C	D	
Rated Voltage	300 V	150 V	300 V	250 V
Rated Current	15 A	15 A	10 A	12 A
Overvoltage Category				III
Test Voltage	1.6 kV	1.6 kV	1.6 kV	4.0 kV
Pollution Degree				3

STLZ960/..-7.62-V-GREEN



Technical Data

Wire Size		Insulating Material	
Solid min	-	Material	PA 6.6
Solid max	-	Flammability Class	UL 94 V-0
Stranded (flexible) min		Temperatures	
Stranded (flexible) max		Operating Temperature	
Stranded with Ferrule min		-30 °C - 105 °C	
Stranded with Ferrule max		Wave Soldering Process	
		Soldering Temperature, recommended	
		265 °C	
		Peak Soldering Time, recommended	
		3-4 s	
Dimensions		Reflow Process	
PCB Hole Diameter	1.4 mm	Soldering Temperature, recommended	
Materials		-	
Contact Pin	Copper Alloy	Peak Soldering Time, recommended	
		-	

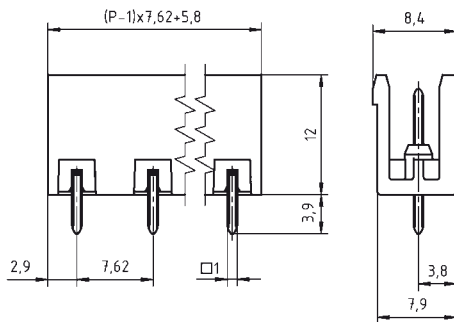
Colours

- GREEN, RAL 6018
- LIGHT GREEN, similar RAL 6018

Colours according to RAL, there may be variations on colour due to production conditions. Special colours on request.

Counterparts (Spacing 7.62 mm)



Terminal Block	
AKZ960	



Order Data (Spacing 7.62 mm)



Poles	Width (mm)	Article Designation	Article Number	PU
2	13.42	STLZ960/2-7.62-V-GREEN	50960025131E	100
3	21.04	STLZ960/3-7.62-V-GREEN	50960035131E	100
4	28.66	STLZ960/4-7.62-V-GREEN	50960045131E	100
5	36.28	STLZ960/5-7.62-V-GREEN	50960055131E	100
6	43.90	STLZ960/6-7.62-V-GREEN	50960065131D	50
7	51.52	STLZ960/7-7.62-V-GREEN	50960075131D	50
8	59.14	STLZ960/8-7.62-V-GREEN	50960085131D	50
9	66.76	STLZ960/9-7.62-V-GREEN	50960095131D	50
10	74.38	STLZ960/10-7.62-V-GREEN	50960105131D	50
11	82.00	STLZ960/11-7.62-V-GREEN	50960115131D	50
12	89.62	STLZ960/12-7.62-V-GREEN	50960125131D	50
13	97.24	STLZ960/13-7.62-V-GREEN	50960135131D	50
14	104.86	STLZ960/14-7.62-V-GREEN	50960145131D	50
15	112.48	STLZ960/15-7.62-V-GREEN	50960155131D	50
16	120.10	STLZ960/16-7.62-V-GREEN	50960165131D	50

Accessories

Figure	Designation	Article Number
	Coding Star CS2-5.0/5.08-RED	50000000024
	Separating Element SE-STL950-GREEN	50950000002

See pages 214/215 for details and general accessories, and see pages 8/9 concerning services.

Ratings

Usegroup				
	B	C	D	
Rated Voltage	300 V	150 V	300 V	400 V
Rated Current	15 A	15 A	10 A	12 A
Overvoltage Category				III
Test Voltage	1.6 kV	1.6 kV	1.6 kV	6.0 kV
Pollution Degree				3

STLZ960/..G-7.62-V-GREEN



Technical Data

Wire Size		Insulating Material	
Solid min	-	Material	PA 6.6
Solid max	-	Flammability Class	UL 94 V-0
Stranded (flexible) min		Temperatures	
Stranded (flexible) max	-	Operating Temperature	-30 °C - 105 °C
Stranded with Ferrule min		Wave Soldering Process	
Stranded with Ferrule max	-	Soldering Temperature, recommended	265 °C
		Peak Soldering Time, recommended	3-4 s
Dimensions		Reflow Process	
PCB Hole Diameter	1.4 mm	Soldering Temperature, recommended	-
Materials		Peak Soldering Time, recommended	-
Contact Pin	Copper Alloy		

Colours

GREEN, RAL 6018 LIGHT GREEN, similar RAL 6018

Colours according to RAL, there may be variations on colour due to production conditions. Special colours on request.



Counterparts (Spacing 7.62 mm)

Terminal Block
AKZ960

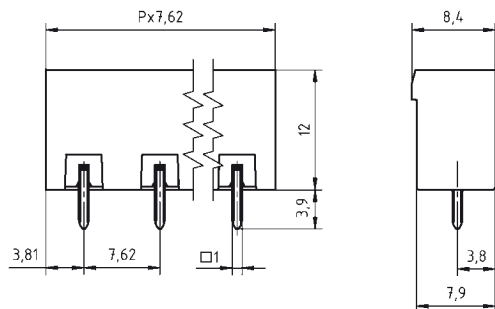
Order Data (Spacing 7.62 mm)

Poles	Width (mm)	Article Designation	Article Number	PU
2	15.24	STLZ960/2G-7.62-V-GREEN	50960025121E	100
3	22.86	STLZ960/3G-7.62-V-GREEN	50960035121E	100
4	30.48	STLZ960/4G-7.62-V-GREEN	50960045121E	100
5	38.10	STLZ960/5G-7.62-V-GREEN	50960055121E	100
6	45.72	STLZ960/6G-7.62-V-GREEN	50960065121D	50
7	53.34	STLZ960/7G-7.62-V-GREEN	50960075121D	50
8	60.96	STLZ960/8G-7.62-V-GREEN	50960085121D	50
9	68.58	STLZ960/9G-7.62-V-GREEN	50960095121D	50
10	76.20	STLZ960/10G-7.62-V-GREEN	50960105121D	50
11	83.82	STLZ960/11G-7.62-V-GREEN	50960115121D	50
12	91.44	STLZ960/12G-7.62-V-GREEN	50960125121D	50
13	99.06	STLZ960/13G-7.62-V-GREEN	50960135121D	50
14	106.68	STLZ960/14G-7.62-V-GREEN	50960145121D	50
15	114.30	STLZ960/15G-7.62-V-GREEN	50960155121D	50
16	121.92	STLZ960/16G-7.62-V-GREEN	50960165121D	50

Accessories

Figure	Designation	Article Number
	Coding Star CS2-5.0/5.08-RED	50000000024
	Separating Element SE-STL950-GREEN	50950000002

See pages 214/215 for details and general accessories, and see pages 8/9 concerning services.



Ratings

Usegroup	c ALUS			VDE
	B	C	D	
Rated Voltage	300 V	150 V	300 V	400 V
Rated Current	15 A	15 A	10 A	12 A
Overvoltage Category				III
Test Voltage	1.6 kV	1.6 kV	1.6 kV	6.0 kV
Pollution Degree				3

STLZ960/..-7.62-H-GREEN



Technical Data

Wire Size		Insulating Material	
Solid min	-	Material	PA 6.6
Solid max	-	Flammability Class	UL 94 V-0
Stranded (flexible) min		Temperatures	
Stranded (flexible) max	-	Operating Temperature	-30 °C - 105 °C
Stranded with Ferrule min		Wave Soldering Process	
Stranded with Ferrule max	-	Soldering Temperature, recommended	265 °C
		Peak Soldering Time, recommended	3-4 s
Dimensions		Reflow Process	
PCB Hole Diameter	1.4 mm	Soldering Temperature, recommended	-
Materials		Peak Soldering Time, recommended	-
Contact Pin	Copper Alloy		

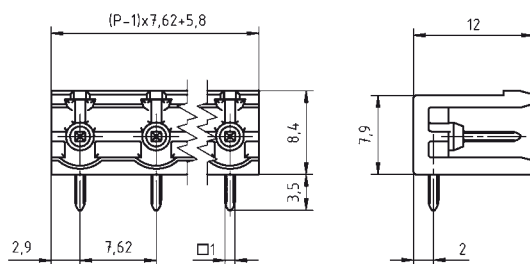
Colours

- GREEN, RAL 6018
- LIGHT GREEN, similar RAL 6018

Colours according to RAL, there may be variations on colour due to production conditions. Special colours on request.

Counterparts (Spacing 7.62 mm)



Terminal Block	
AKZ960	



Order Data (Spacing 7.62 mm)

Poles	Width (mm)	Article Designation	Article Number	PU
2	13.42	STLZ960/2-7.62-H-GREEN	50960025031E	100
3	21.04	STLZ960/3-7.62-H-GREEN	50960035031E	100
4	28.66	STLZ960/4-7.62-H-GREEN	50960045031E	100
5	36.28	STLZ960/5-7.62-H-GREEN	50960055031E	100
6	43.90	STLZ960/6-7.62-H-GREEN	50960065031D	50
7	51.52	STLZ960/7-7.62-H-GREEN	50960075031D	50
8	59.14	STLZ960/8-7.62-H-GREEN	50960085031D	50
9	66.76	STLZ960/9-7.62-H-GREEN	50960095031D	50
10	74.38	STLZ960/10-7.62-H-GREEN	50960105031D	50
11	82.00	STLZ960/11-7.62-H-GREEN	50960115031D	50
12	89.62	STLZ960/12-7.62-H-GREEN	50960125031D	50
13	97.24	STLZ960/13-7.62-H-GREEN	50960135031D	50
14	104.86	STLZ960/14-7.62-H-GREEN	50960145031D	50
15	112.48	STLZ960/15-7.62-H-GREEN	50960155031D	50
16	120.10	STLZ960/16-7.62-H-GREEN	50960165031D	50

Accessories

Figure	Designation	Article Number
	Coding Star CS2-5.0/5.08-RED	50000000024
	Separating Element SE-STL950-GREEN	50950000002

See pages 214/215 for details and general accessories, and see pages 8/9 concerning services.

Ratings

Usegroup	UL US			VDE
	B	C	D	
Rated Voltage	300 V	150 V	300 V	400 V
Rated Current	15 A	15 A	10 A	12 A
Overvoltage Category				III
Test Voltage	1.6 kV	1.6 kV	1.6 kV	6.0 kV
Pollution Degree				3


STLZ960/..G-7.62-H-GREEN



Technical Data

Wire Size		Insulating Material	
Solid min	-	Material	PA 6.6
Solid max	-	Flammability Class	UL 94 V-0
Stranded (flexible) min		Temperatures	
Stranded (flexible) max	-	Operating Temperature	-30 °C - 105 °C
Stranded with Ferrule min		Wave Soldering Process	
Stranded with Ferrule max	-	Soldering Temperature, recommended	265 °C
Dimensions		Peak Soldering Time, recommended	3-4 s
PCB Hole Diameter	1.4 mm	Reflow Process	
Materials		Soldering Temperature, recommended	-
Contact Pin	Copper Alloy	Peak Soldering Time, recommended	-

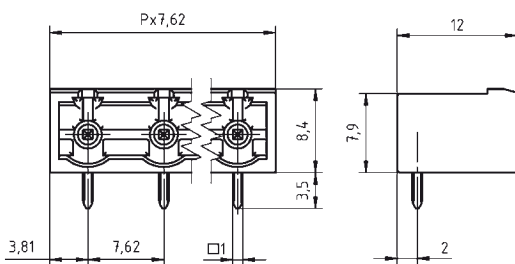
Colours

 GREEN, RAL 6018  LIGHT GREEN, similar RAL 6018

Colours according to RAL, there may be variations on colour due to production conditions. Special colours on request.

Counterparts (Spacing 7.62 mm)



Terminal Block	
AKZ960	



Order Data (Spacing 7.62 mm)



Poles	Width (mm)	Article Designation	Article Number	PU
2	15.24	STLZ960/2G-7.62-H-GREEN	50960025021E	100
3	22.86	STLZ960/3G-7.62-H-GREEN	50960035021E	100
4	30.48	STLZ960/4G-7.62-H-GREEN	50960045021E	100
5	38.10	STLZ960/5G-7.62-H-GREEN	50960055021E	100
6	45.72	STLZ960/6G-7.62-H-GREEN	50960065021D	50
7	53.34	STLZ960/7G-7.62-H-GREEN	50960075021D	50
8	60.96	STLZ960/8G-7.62-H-GREEN	50960085021D	50
9	68.58	STLZ960/9G-7.62-H-GREEN	50960095021D	50
10	76.20	STLZ960/10G-7.62-H-GREEN	50960105021D	50
11	83.82	STLZ960/11G-7.62-H-GREEN	50960115021D	50
12	91.44	STLZ960/12G-7.62-H-GREEN	50960125021D	50
13	99.06	STLZ960/13G-7.62-H-GREEN	50960135021D	50
14	106.68	STLZ960/14G-7.62-H-GREEN	50960145021D	50
15	114.30	STLZ960/15G-7.62-H-GREEN	50960155021D	50
16	121.92	STLZ960/16G-7.62-H-GREEN	50960165021D	50

Accessories

Figure	Bezeichnung	Article Number
	Coding Star CS2-5.0/5.08-RED	50000000024
	Separating Element SE-STL950-GREEN	50950000002

See pages 214/215 for details and general accessories, and see pages 8/9 concerning services.

Ratings

Usegroup	c 			
	B	C	D	
Rated Voltage	300 V	150 V	300 V	400 V
Rated Current	15 A	15 A	10 A	12 A
Overvoltage Category				III
Test Voltage	1.6 kV	1.6 kV	1.6 kV	6.0 kV
Pollution Degree				3

STLZ965/..F-7.62-V-GREEN



Technical Data

Wire Size		Insulating Material	
Solid min	-	Material	PBT
Solid max	-	Flammability Class	UL 94 V-0
Stranded (flexible) min		Temperatures	
Stranded (flexible) max		Operating Temperature	
Stranded with Ferrule min		-30 °C - 105 °C	
Stranded with Ferrule max		Wave Soldering Process	
-		Soldering Temperature, recommended	
-		265 °C	
-		Peak Soldering Time, recommended	
-		3-4 s	
Dimensions		Reflow Process	
PCB Hole Diameter	1.6 mm	Soldering Temperature, recommended	
Materials		-	
Thread Insert, Flange	Brass	Peak Soldering Time, recommended	
Contact Pin	Brass	-	

Colours

- GREEN, RAL 6018
- LIGHT GREEN, similar RAL 6018

Colours according to RAL, there may be variations on colour due to production conditions. Special colours on request.



Counterparts (Spacing 7.62 mm)

Terminal Block	
AKZ965	

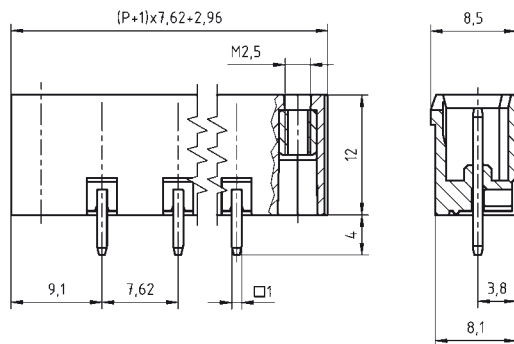
Order Data (Spacing 7.62 mm)

Poles	Width (mm)	Article Designation	Article Number	PU
2	25.82	STLZ965/2F-7.62-V-GREEN	50965026121E	100
3	33.44	STLZ965/3F-7.62-V-GREEN	50965036121E	100
4	41.06	STLZ965/4F-7.62-V-GREEN	50965046121D	50
5	48.68	STLZ965/5F-7.62-V-GREEN	50965056121D	50
6	56.30	STLZ965/6F-7.62-V-GREEN	50965066121D	50
7	63.92	STLZ965/7F-7.62-V-GREEN	50965076121D	50
8	71.54	STLZ965/8F-7.62-V-GREEN	50965086121D	50
9	79.16	STLZ965/9F-7.62-V-GREEN	50965096121D	50
10	86.78	STLZ965/10F-7.62-V-GREEN	50965106121D	50
11	94.40	STLZ965/11F-7.62-V-GREEN	50965116121D	50
12	102.02	STLZ965/12F-7.62-V-GREEN	50965126121D	50
13	109.64	STLZ965/13F-7.62-V-GREEN	50965136121D	50
14	117.26	STLZ965/14F-7.62-V-GREEN	50965146121D	50
15	124.88	STLZ965/15F-7.62-V-GREEN	50965156121D	50
16	132.50	STLZ965/16F-7.62-V-GREEN	50965166121D	50



Accessories

Figure	Bezeichnung	Article Number
	Coding Star CS3-5.0/5.08-RED	50000000025
	Separating Element SE-STL950-GREEN	50950000002

See pages 214/215 for details and general accessories, and see pages 8/9 concerning services.

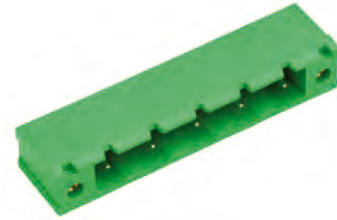


Ratings

Usegroup	c 			
	B	C	D	
Rated Voltage	300 V	-	300 V	400 V
Rated Current	10 A	-	10 A	12 A
Overvoltage Category				III
Test Voltage	1.6 kV	-	1.6 kV	6.0 kV
Pollution Degree				3

* Approval Pending

STLZ965/..F-7.62-H-GREEN



Technical Data

Wire Size		Insulating Material	
Solid min	-	Material	PBT
Solid max	-	Flammability Class	UL 94 V-0
Stranded (flexible) min		Temperatures	
Stranded (flexible) max	-	Operating Temperature	-30 °C - 105 °C
Stranded with Ferrule min		Wave Soldering Process	
Stranded with Ferrule max	-	Soldering Temperature, recommended	265 °C
Dimensions		Peak Soldering Time, recommended	3-4 s
PCB Hole Diameter	1.6 mm	Reflow Process	
Materials		Soldering Temperature, recommended	-
Thread Insert, Flange	Brass	Peak Soldering Time, recommended	-
Contact Pin	Brass		

Colours

- GREEN, RAL 6018
- LIGHT GREEN, similar RAL 6018

Colours according to RAL, there may be variations on colour due to production conditions. Special colours on request.



Counterparts (Spacing 7.62 mm)

Terminal Block
AKZ965

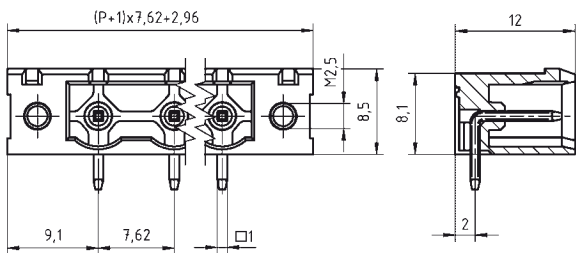
Order Data (Spacing 7.62 mm)

Poles	Width (mm)	Article Designation	Article Number	PU
2	25.82	STLZ965/2F-7.62-H-GREEN	50965026021E	100
3	33.44	STLZ965/3F-7.62-H-GREEN	50965036021E	100
4	41.06	STLZ965/4F-7.62-H-GREEN	50965046021D	50
5	48.68	STLZ965/5F-7.62-H-GREEN	50965056021D	50
6	56.30	STLZ965/6F-7.62-H-GREEN	50965066021D	50
7	63.92	STLZ965/7F-7.62-H-GREEN	50965076021D	50
8	71.54	STLZ965/8F-7.62-H-GREEN	50965086021D	50
9	79.16	STLZ965/9F-7.62-H-GREEN	50965096021D	50
10	86.78	STLZ965/10F-7.62-H-GREEN	50965106021D	50
11	94.40	STLZ965/11F-7.62-H-GREEN	50965116021D	50
12	102.02	STLZ965/12F-7.62-H-GREEN	50965126021D	50
13	109.64	STLZ965/13F-7.62-H-GREEN	50965136021D	50
14	117.26	STLZ965/14F-7.62-H-GREEN	50965146021D	50
15	124.88	STLZ965/15F-7.62-H-GREEN	50965156021D	50
16	132.50	STLZ965/16F-7.62-H-GREEN	50965166021D	50



Accessories

Figure	Bezeichnung	Article Number
	Coding Star CS3-5.0/5.08-RED	50000000025
	Separating Element SE-STL950-GREEN	50950000002

See pages 214/215 for details and general accessories, and see pages 8/9 concerning services.



Ratings

Usegroup				
	B	C	D	
Rated Voltage	300 V	-	300 V	400 V
Rated Current	10 A	-	10 A	12 A
Overvoltage Category				III
Test Voltage	1.6 kV	-	1.6 kV	6.0 kV
Pollution Degree				3

* Approval Pending

STL130/..-10.0-V-BLACK STLZ130/..-10.16-V-BLACK



Technical Data

Wire Size		Insulating Material	
Solid min	-	Material	PA 6.6
Solid max	-	Flammability Class	UL 94 V-0
Stranded (flexible) min		Temperatures	
Stranded (flexible) max	-	Operating Temperature	-30 °C - 105 °C
Stranded with Ferrule min		Wave Soldering Process	
Stranded with Ferrule max	-	Soldering Temperature, recommended	265 °C
		Peak Soldering Time, recommended	3-4 s
Dimensions		Reflow Process	
PCB Hole Diameter	1.5 mm	Soldering Temperature, recommended	-
Materials		Peak Soldering Time, recommended	-
Contact Pin	Brass		

Colours

	BLACK, RAL 9011		GREEN, RAL 6018
	BLUE, RAL 5015		

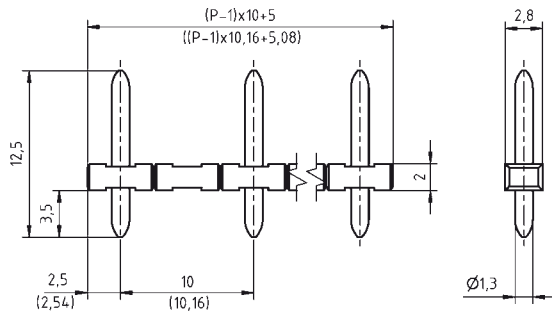
Colours according to RAL, there may be variations on colour due to production conditions. Special colours on request.

Counterparts (Spacing 10.0 mm)

Terminal Block	
AK130	

Counterparts (Spacing 10.16 mm)

Terminal Block	
AKZ130	





Order Data (Spacing 10.0 mm)

Poles	Width (mm)	Article Designation	Article Number	PU
2	15.00	STL130/2-10.0-V-BLACK	50130025021F	200
3	25.00	STL130/3-10.0-V-BLACK	50130035021E	100
4	35.00	STL130/4-10.0-V-BLACK	50130045021E	100
5	45.00	STL130/5-10.0-V-BLACK	50130055021E	100
6	55.00	STL130/6-10.0-V-BLACK	50130065021D	50
7	65.00	STL130/7-10.0-V-BLACK	50130075021D	50
8	75.00	STL130/8-10.0-V-BLACK	50130085021D	50
9	85.00	STL130/9-10.0-V-BLACK	50130095021D	50
...
12	115.00	STL130/12-10.0-V-BLACK	50130125021D	50

Order Data (Spacing 10.16 mm)

Poles	Width (mm)	Article Designation	Article Number	PU
2	15.24	STLZ130/2-10.16-V-BLACK	50130025071F	200
3	25.40	STLZ130/3-10.16-V-BLACK	50130035071E	100
4	35.56	STLZ130/4-10.16-V-BLACK	50130045071E	100
5	45.72	STLZ130/5-10.16-V-BLACK	50130055071E	100
6	55.88	STLZ130/6-10.16-V-BLACK	50130065071D	50

Ratings

Usegroup				
	B	C	D	
Rated Voltage	300 V	150 V	300 V	630 V
Rated Current	10 A	10 A	10 A	7 A
Overvoltage Category				III
Test Voltage	1.6 kV	1.6 kV	1.6 kV	6.0 kV
Pollution Degree				3

STL130/..-10.0-V-BLACK-HT



Technical Data

Wire Size		Insulating Material	
Solid min	-	Material	LCP
Solid max	-	Flammability Class	UL 94 V-0
Stranded (flexible) min		Temperatures	
Stranded (flexible) max	-	Operating Temperature	-30 °C - 105 °C
Stranded with Ferrule min		Wave Soldering Process	
Stranded with Ferrule max	-	Soldering Temperature, recommended	265 °C
Dimensions		Peak Soldering Time, recommended	3-4 s
PCB Hole Diameter	1.5 mm	Reflow Process	
Materials		Soldering Temperature, recommended	217 °C - 245 °C
Contact Pin	Brass	Peak Soldering Time, recommended	60 s

Colours

■ BLACK, RAL 9011

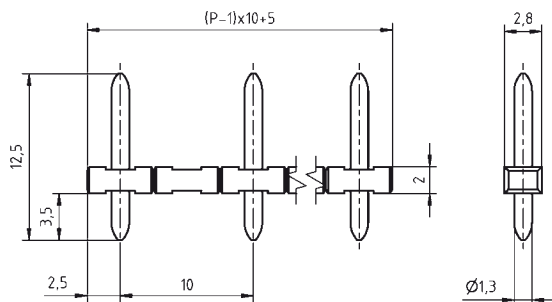
Colours according to RAL, there may be variations on colour due to production conditions.

Counterparts (Spacing 10.0 mm)

Terminal Block
AK130

Order Data (Spacing 10.0 mm)

Poles	Width (mm)	Article Designation	Article Number	PU
2	15.00	STL130/2-10.0-V-BLACK-HT	50130025061F	200
3	25.00	STL130/3-10.0-V-BLACK-HT	50130035061E	100
4	35.00	STL130/4-10.0-V-BLACK-HT	50130045061E	100
5	45.00	STL130/5-10.0-V-BLACK-HT	50130055061E	100
6	55.00	STL130/6-10.0-V-BLACK-HT	50130065061D	50
7	65.00	STL130/7-10.0-V-BLACK-HT	50130075061D	50
8	75.00	STL130/8-10.0-V-BLACK-HT	50130085061D	50
9	85.00	STL130/9-10.0-V-BLACK-HT	50130095061D	50
10	95.00	STL130/10-10.0-V-BLACK-HT	50130105061D	50
11	105.00	STL130/11-10.0-V-BLACK-HT	50130115061D	50
12	115.00	STL130/12-10.0-V-BLACK-HT	50130125061D	50



Ratings

Usegroup	c ALUS			VDE
	B	C	D	
Rated Voltage	300 V	150 V	300 V	500 V
Rated Current	10 A	10 A	10 A	7 A
Overvoltage Category				III
Test Voltage	1.6 kV	1.6 kV	1.6 kV	6.0 kV
Pollution Degree				2

STL132/..-10.0-V-BLACK



Technical Data

Wire Size		Insulating Material	
Solid min	-	Material	PA 6.6
Solid max	-	Flammability Class	UL 94 V-0
Stranded (flexible) min		Temperatures	
Stranded (flexible) max		Operating Temperature	-30 °C - 105 °C
Stranded with Ferrule min		Wave Soldering Process	
Stranded with Ferrule max		Soldering Temperature, recommended	265 °C
Dimensions		Peak Soldering Time, recommended	3-4 s
PCB Hole Diameter	1.2 mm	Reflow Process	
Materials		Soldering Temperature, recommended	-
Contact Pin	Brass	Peak Soldering Time, recommended	-

Colours

■ BLACK, RAL 9011

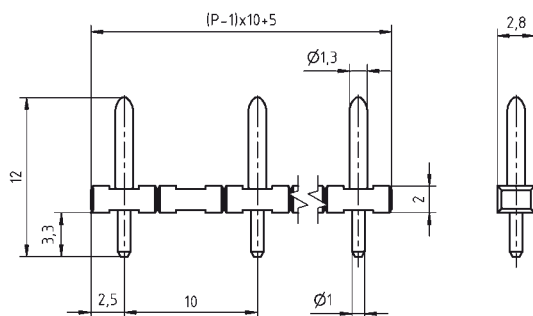
Colours according to RAL, there may be variations on colour due to production conditions. Special colours on request.

Counterparts (Spacing 10.0 mm)

Terminal Block
AK130

Order Data (Spacing 10.0 mm)

Poles	Width (mm)	Article Designation	Article Number	PU
2	15.00	STL132/2-10.0-V-BLACK	50132025021H	500
3	25.00	STL132/3-10.0-V-BLACK	50132035021G	250
4	35.00	STL132/4-10.0-V-BLACK	50132045021G	250
5	45.00	STL132/5-10.0-V-BLACK	50132055021E	100
6	55.00	STL132/6-10.0-V-BLACK	50132065021E	100
7	65.00	STL132/7-10.0-V-BLACK	50132075021E	100
8	75.00	STL132/8-10.0-V-BLACK	50132085021E	100
9	85.00	STL132/9-10.0-V-BLACK	50132095021D	50
10	95.00	STL132/10-10.0-V-BLACK	50132105021D	50
11	105.00	STL132/11-10.0-V-BLACK	50132115021D	50
12	115.00	STL132/12-10.0-V-BLACK	50132125021D	50



Ratings

Usegroup	UL			VDE
	B	C	D	
Rated Voltage	300 V	-	-	630 V
Rated Current	10 A	-	-	7 A
Overtoltage Category				III
Test Voltage	1.6 kV	-	-	6.0 kV
Pollution Degree				3

* Approval Pending

STL132/..-10.0-V-BLACK-HT



Technical Data

Wire Size		Insulating Material	
Solid min	-	Material	LCP
Solid max	-	Flammability Class	UL 94 V-0
Stranded (flexible) min		Temperatures	
Stranded (flexible) max	-	Operating Temperature	-30 °C - 105 °C
Stranded with Ferrule min		Wave Soldering Process	
Stranded with Ferrule max	-	Soldering Temperature, recommended	265 °C
Dimensions		Reflow Process	
PCB Hole Diameter	1.2 mm	Soldering Temperature, recommended	217 °C - 245 °C
Materials		Peak Soldering Time, recommended	
Contact Pin	Brass	Peak Soldering Time, recommended	60 s

Colours

■ BLACK, RAL 9011

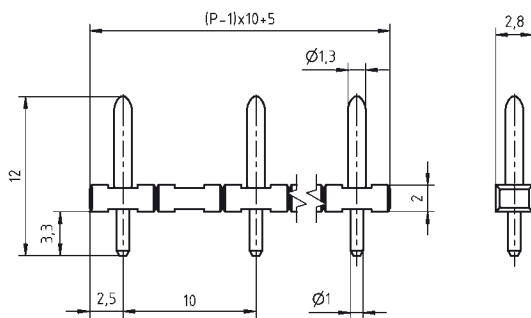
Colours according to RAL, there may be variations on colour due to production conditions.

Counterparts (Spacing 10.0 mm)

Terminal Block
AK130

Order Data (Spacing 10.0 mm)

Poles	Width (mm)	Article Designation	Article Number	PU
2	15.00	STL132/2-10.0-V-BLACK-HT	50132025051H	500
3	25.00	STL132/3-10.0-V-BLACK-HT	50132035051G	250
4	35.00	STL132/4-10.0-V-BLACK-HT	50132045051G	250
5	45.00	STL132/5-10.0-V-BLACK-HT	50132055051E	100
6	55.00	STL132/6-10.0-V-BLACK-HT	50132065051E	100
7	65.00	STL132/7-10.0-V-BLACK-HT	50132075051E	100
8	75.00	STL132/8-10.0-V-BLACK-HT	50132085051E	100
9	85.00	STL132/9-10.0-V-BLACK-HT	50132095051D	50
10	95.00	STL132/10-10.0-V-BLACK-HT	50132105051D	50
11	105.00	STL132/11-10.0-V-BLACK-HT	50132115051D	50
12	115.00	STL132/12-10.0-V-BLACK-HT	50132125051D	50



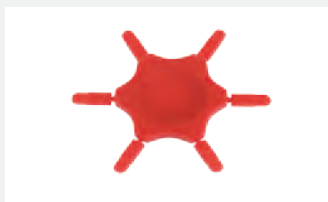
Ratings

Usegroup				
	B	C	D	
Rated Voltage	300 V	-	-	500 V
Rated Current	10 A	-	-	7 A
Overvoltage Category				III
Test Voltage	1.6 kV	-	-	6.0 kV
Pollution Degree				3

* Approval Pending

Accessories

A wide variety of accessory articles is available in addition to the comprehensive range of terminal blocks and multi-connector systems.



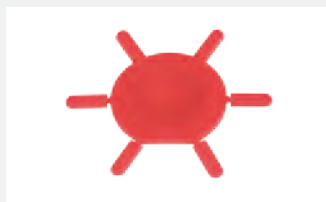
Coding Star CS1-3.5/3.81-RED
Article Number: 5000000023

The tongues of the coding star are inserted into the coding slits to prevent the multi-connector from being plugged in incorrectly.



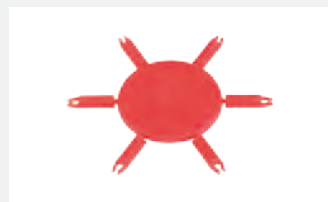
Coding Star CS1-3.5/3.81-NATURAL-HT
Article Number: 5000000022

The tongues of the reflowable coding star are inserted into the coding slits to prevent the multi-connector from being plugged in incorrectly.



Coding Star CS1-5.0/5.08-RED
Article Number: 5000000021

The tongues of the coding star are inserted into the coding slits to prevent the multi-connector from being plugged in incorrectly.



Coding Star CS2-5.0/5.08-RED
Article Number: 5000000024

The tongues of the coding star are inserted into the coding slits to prevent the multi-connector from being plugged in incorrectly.



Coding Star CS3-5.0/5.08-RED
Article Number: 5000000025

The tongues of the coding star are inserted into the coding slits of the terminal block to prevent the multi-connector from being plugged in incorrectly.



Coding Star CS4-5.0/5.08-RED
Article Number: 5000000026

The tongues of the coding star are inserted into the coding slits of the terminal block to prevent the multi-connector from being plugged in incorrectly.



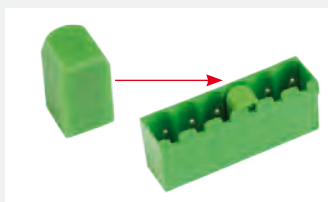
Series AK(Z)950/ AK(Z)960 with separating element
Article Number: 5990950....

Article Number: 5990960....
The AK(Z)950/ AK(Z)960 is split into several areas with the separating element.



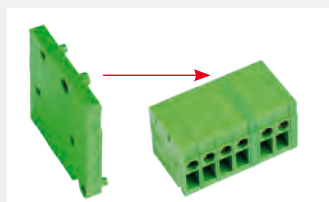
Series AK(Z)1100/ AK(Z)1110 with separating element
Article Number: 5991100....

Article Number: 5991110....
The AK(Z)1100/ AK(Z)1110 is split into several areas with the separating element.



Separating Element SE-STL950-GREEN
Article Number: 5095000002

A pin strip can be split into several areas for various terminal blocks with the separating element.



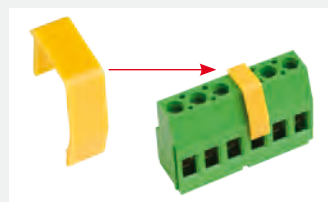
Spacer SPC-AK2200-GREEN
Article Number: 5220000002

To increase the spacing or to give visually better separation of the individual terminal sections.



Spacer SPC-AK4291-PEBBLE GREY
Article Number: 5429100000

To increase the spacing or to give visually better separation of the individual terminal sections.



Screw Cover SC-AK700-YELLOW
Article Number: 5070000004

Use to cover the screws once the wires have been attached.



Series AK(Z)1550 with pull reliefs
Article Number: on request

The pull relief makes it easier to unplug terminal blocks from pin strips. They comprise the contact face and mounting surface for connected wires and help to reduce mechanical stress exerted on clamping points resulting from long wires, etc.



Series AK(Z)1700/ AK(Z)1710 with pull reliefs
Article Number: on request

The pull relief makes it easier to unplug terminal blocks from pin strips. They comprise the contact face and mounting surface for connected wires and help to reduce mechanical stress exerted on clamping points resulting from long wires, etc.



Series AK(Z)950/ AK(Z)960 with pull reliefs
Article Number: on request

The pull relief makes it easier to unplug terminal blocks from pin strips. They comprise the contact face and mounting surface for connected wires and help to reduce mechanical stress exerted on clamping points resulting from long wires, etc.



Series AK(Z)1100/ AK(Z)1110 with pull reliefs
Article Number: on request

The pull relief makes it easier to unplug terminal blocks from pin strips. They comprise the contact face and mounting surface for connected wires and help to reduce mechanical stress exerted on clamping points resulting from long wires, etc.



Series AKZ1200 with pull reliefs
Article Number: on request

The pull relief makes it easier to unplug terminal blocks from pin strips. They comprise the contact face and mounting surface for connected wires and help to reduce mechanical stress exerted on clamping points resulting from long wires, etc.



Series AK(Z)4551 with pull reliefs
Article Number: on request

The pull relief makes it easier to unplug terminal blocks from pin strips. They comprise the contact face and mounting surface for connected wires and help to reduce mechanical stress exerted on clamping points resulting from long wires, etc.



Series AK(Z)4951 with pull reliefs
Article Number: on request

The pull relief makes it easier to unplug terminal blocks from pin strips. They comprise the contact face and mounting surface for connected wires and help to reduce mechanical stress exerted on clamping points resulting from long wires, etc.



Bridge, 2-pole, insulated,
BRI/2-5.0/5.08-LIGHT GREY

Article Number: 5000000006
Insulated bridge for multi-connection. Can be used for terminal blocks and multi-connectors with spacing 5.0 mm and 5.08 mm.



Bridge, 3-pole, insulated,
BRI/3-5.0/5.08-LIGHT GREY

Article Number: 5000000007
Insulated bridge for multi-connection. Can be used for terminal blocks and multi-connectors with spacing 5.0 mm and 5.08 mm.



Bridge, 2-pole, insulated,
BRI/2-7.0/7.62-L7.5-LIGHT GREY

Article Number: 5000000018
Insulated bridge for multi-connection. Can be used for terminal blocks and multi-connectors with spacing 7.0 mm and 7.62 mm.



Bridge, 2-pole, insulated,
BRI/2-7.5/7.62-L8.2-LIGHT GREY

Article Number: 5000000017
Insulated bridge for multi-connection. Can be used for terminal blocks and multi-connectors with spacing 7.5 mm and 7.62 mm.



Bridge, 2-pole, BR/2-3.5/3.81-L4.7
Article Number: 5000000013

Uninsulated bridge for multi-connection. Can be used for terminal blocks and multi-connectors with spacing 3.5 mm and 3.81 mm.



Bridge, 2-pole, BR/2-3.5/3.81-L7.5
Article Number: 5000000015

Uninsulated bridge for multi-connection. Can be used for terminal blocks and multi-connectors with spacing 3.5 mm and 3.81 mm.



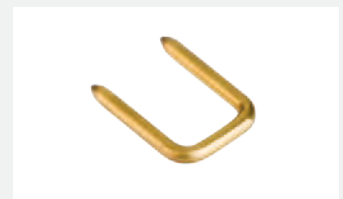
Bridge, 3-pole, BR/3-3.5/3.81-L4.7
Article Number: 5000000014

Uninsulated bridge for multi-connection. Can be used for terminal blocks and multi-connectors with spacing 3.5 mm and 3.81 mm.



Bridge, 3-pole, BR/3-3.5/3.81-L7.5
Article Number: 5000000016

Uninsulated bridge for multi-connection. Can be used for terminal blocks and multi-connectors with spacing 3.5 mm and 3.81 mm.



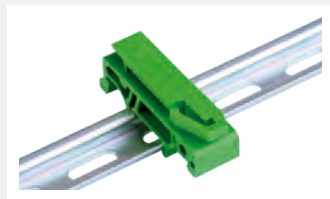
Bridge, 2-pole, BR/2-5.0/5.08-L7.0
Article Number: 5000000008

Uninsulated bridge for multi-connection. Can be used for terminal blocks and multi-connectors with spacing 5.0 mm and 5.08 mm.



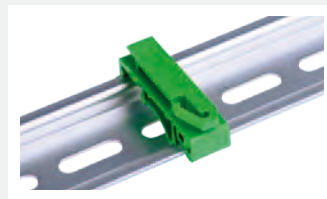
Coding Cover CC-AK1350-GREY
Article Number: 5135000000

Is clipped onto the plug from above/on the same side as the screw. The coding cover prevents the AK1350 from being placed on the pin strip 180° off.



Mounting Rail Clip CLP-AKZS950-TS15/TS35
Article Number: 5095000005

Is clipped in under the AKZS950. The mounting rail clip serves as an adapter for the corresponding mounting rail.



Mounting Rail Clip CLP-AKZS950-TS32/TS35
Article Number: 5095000006

Is clipped in under the AKZS950. The mounting rail clip serves as an adapter for the corresponding mounting rail.



Crimping Pliers PZU 6
Article Number: 41100.0

For the crimping of stranded wires with ferrules in the cross-section range from 0.14 mm² to 6.0 mm².

Responsibility towards the environment and mankind

CE mark



PTR is very aware of its responsibilities towards the environment and mankind. This is why PTR has been certified since 1999 according to DIN EN ISO 14001 (environmental management standard). New environmental targets are regularly defined, and conformity is confirmed in the annual TÜV audits. Since 2008, PTR has also defined its conformity with and pursuance of environmental goals according to EU directive 1907/2006/EC, generally known as the REACH directive. It deals not only with environment friendliness, but extends this goal – additionally to the EU RoHS directive, to which PTR also adheres – to the detailed maintenance of human health. This means that the following are excluded from new PTR products as early as the design phase: materials which are harmful to the environment, non-degradable, bioaccumulative, toxic, carcinogenic, mutagenic or toxic for reproduction.

A declaration of conformity regarding the latest state of the REACH guideline can be viewed and downloaded as a PDF file at any time from the PTR website at www.ptr.eu.

In the same way, PTR automatically and immediately checks new environmental and health guidelines for conformity, issues the appropriate declarations of conformity, and adapts products when necessary to ensure conformity.

The CE mark, which is a European product safety mark for specific types of products, was created mainly to provide EU consumers with safe products. The CE mark is the manufacturer's assurance that the product bearing the mark complies with European directives. A product may only be placed on the market in the EU if it meets the requirements of the applicable EU directives, and if it has undergone a conformance procedure in accordance with the applicable EU directives.

The CE mark on PTR's products indicates that they comply with the following EU directives:

Directive 2006/95/EC of the European Parliament and of the Council of 12 December 2006 on the harmonisation of the laws of Member States relating to Electrical Equipment designed for use within certain voltage limits

Directive 2002/95/EC of the European Parliament and of the Council on the Restriction of the Use of Certain Hazardous Substances in Electrical and Electronic Equipment

Regulation (EC) No. 1907/2006 of the European Parliament and of the Council of 18 December 2006 concerning the Registration, Evaluation, Authorisation and Restriction of Chemicals (REACH), establishing a European Chemicals Agency, amending Directive 1999/45/EC and repealing Council Regulation (EEC) No. 793/93 and Commission Regulation (EC) No. 1488/94 as well as Council Directive 76/769/EEC and Commission Directives 91/155/EEC, 93/67/EEC, 93/105/EC and 2000/21/EC (REACH Directive)

Approvals and regulations



Our terminal blocks and multi connector systems comply with the current versions of all applicable standards and regulations.

The following standards apply to **VDE approval** of PTR's screwable and screwless terminal blocks: **EN 60998-1**, **EN 60998-2-1**, and **EN 60998-2-2**.

PTR's screwable and screwless multi connector systems are approved in accordance with **EN 61984**.

cURus approval of PTR terminal blocks and multi connector systems is based on the **UL 1059 and CSA 22.2 No. 158 standards**.

The cURus mark indicates that our products meet Canadian and U.S. safety standards.

In addition, EN 60664-1 and VDE 0110-1 are the cornerstones of insulation coordination for equipment used in low-voltage installations. This applies to all equipment that is rated for use up to 2,000 metres above sea level. Above 2,000 metres above sea level, height correction factors come into play. The texts and tables below from EN 60664-1 (VDE 0110/1):2008-01 are reproduced here for the relevant registered limited press run and via permit no. 072.010 issued by the Deutsches Institut für Normung e.V. (DIN) and the VDE Verband der Elektrotechnik Elektronik Informationstechnik e.V. Any further reproduction or printing of these materials is subject to a specific permit.

The relevant standards are applied in accordance with the latest version obtainable from VDE Verlag GmbH, Bismarckstr. 33, 10625 Berlin and Beuth Verlag GmbH, Burggrafenstr. 6, 10787 Berlin.

Overvoltage Categories I-IV

(in accordance with EN 60664-1:2007 and VDE 0110-1)

The concept of overvoltage categories is used for equipment energized directly from the low-voltage mains. A similar concept can also be used for equipment connected to other systems, for example telecommunication and data systems.

Equipment of **Overvoltage Category I** is equipment for connection to circuits in which measures are taken to limit transient overvoltages* to an appropriately low level. These measures shall ensure that the temporary overvoltages that could occur are sufficiently limited so that their peak value does not exceed the relevant rated impulse voltage of the following table "Rated impulse voltage for equipment..."

(*short duration overvoltage of a few milliseconds or less, usually highly damped)

► **Application:** Equipment containing electronic circuits protected to this level. Unless the circuits are designed to take the temporary overvoltages into account, equipment of overvoltage category I cannot be directly connected to the supply mains.

Equipment of **Overvoltage Category II** is energy-consuming equipment to be supplied from the fixed installation.

► **Application:** Appliances, portable tools and other household and similar loads. If such equipment is subjected to special requirements with regard to reliability and availability, overvoltage category III applies.

Equipment of **Overvoltage Category III** is equipment in fixed installations and for cases where the reliability and the availability of the equipment are subject to special requirements.

► **Application:** Switches in the fixed installation and equipment for industrial use with permanent connection to the fixed installation.

Equipment of **Overvoltage Category IV** is for use at the origin of the installation.

► **Application:** Electricity meters and primary overcurrent protection equipment.

All PTR approval data are based on overvoltage category III.

Altitude correction factors		
Altitude m	Normal barometric pressure kPa	Multiplication factor for clearances
2000	80.0	1.00
3000	70.0	1.14
4000	62.0	1.29
5000	54.0	1.48
6000	47.0	1.70
7000	41.0	1.95
8000	35.5	2.25
9000	30.5	2.62
10000	26.5	3.02
15000	12.0	6.67
20000	5.5	14.5

Rated impulse voltage for equipment energized directly from the low-voltage mains						
Nominal voltage of the supply system ¹⁾ based on IEC 50038 ²⁾		Voltage line to neutral derived from nominal voltages a.c. or d.c. up to and including	Rated impulse voltage ²⁾			
Three phase	Single phase		Overvoltage category			
V	V	V	I	II	III	IV
			V	V	V	V
		50	330	500	800	1500
		100	500	800	1500	2500
	120-240	150 ⁴⁾	800	1500	2500	4000
230/400 277/480		300	1500	2500	4000	6000
400/690		600	2500	4000	6000	8000
1000		1000	4000	6000	8000	12000

1) See EN 60664-1:2007, Annex B for application to existing different low-voltage mains and their nominal voltages.

2) Equipment with these rated impulse voltages can be used in installations in accordance with IEC 60364-4-44.

3) The / mark indicates a four-wire three-phase distribution system. The lower value is the voltage line-to-neutral, while the higher value is the voltage line-to-line. Where only one value is indicated, it refers to three-wire, three-phase systems and specifies the value line-to-line.

4) Nominal voltages for single-phase systems in Japan are 100 V or 100-200 V. However, the value of the rated impulse voltage for the voltages is determined from columns applicable to the voltage line to neutral of 150 V (see EN 60664-1:2007, Annex B).

Clearances to withstand transient overvoltages

Required impulse withstand voltage ^{1) 5)}	Minimum clearances in air up to 2000 m above sea level					
	Case A Inhomogeneous field ⁷⁾			Case B Homogeneous field ⁸⁾		
	Pollution degree ⁶⁾			Pollution degree ⁶⁾		
	1 mm	2 mm	3 mm	1 mm	2 mm	3 mm
0.33 ²⁾	0.01	0.2 ^{3) 4)}	0.8 ⁴⁾	0.01	0.2 ^{3) 4)}	0.8 ⁴⁾
0.40	0.02			0.02		
0.50 ²⁾	0.04			0.04		
0.60	0.06			0.06		
0.80 ²⁾	0.10			0.10		
1.0	0.15			0.15		
1.2	0.25	0.25		0.2		
1.5 ²⁾	0.5	0.5		0.3	0.3	
2.0	1.0	1.0	1.0	0.45	0.45	
2.5 ²⁾	1.5	1.5	1.5	0.60	0.60	
3.0	2.0	2.0	2.0	0.80	0.80	
4.0 ²⁾	3.0	3.0	3.0	1.2	1.2	1.2
5.0	4.0	4.0	4.0	1.5	1.5	1.5
6.0 ²⁾	5.5	5.5	5.5	2.0	2.0	2.0
8.0 ²⁾	8.0	8.0	8.0	3.0	3.0	3.0
10	11	11	11	3.5	3.5	3.5
12 ²⁾	14	14	14	4.5	4.5	4.5
15	18	18	18	5.5	5.5	5.5
20	25	25	25	8.0	8.0	8.0
25	33	33	33	10	10	10
30	40	40	40	12.5	12.5	12.5
40	60	60	60	17	17	17
50	75	75	75	22	22	22
60	90	90	90	27	27	27
80	130	130	130	35	35	35
100	170	170	170	45	45	45

1) This voltage is

- for functional insulation: the maximum impulse voltage expected to occur across the clearance (see EN 60664-1:2007),
 - for basic insulation directly exposed to or significantly influenced by transient overvoltages from the low-voltage mains (see EN 60664-1:2007): the rated impulse voltage of the equipment,
 - for other basic insulation (see EN 60664-1:2007): the highest impulse voltage that can occur in the circuit.
- For reinforced insulation see EN 60664-1:2007.

2) Preferred values as specified in EN 60664-1:2007.

3) For printed wiring material, the values for pollution degree 1 apply except that the value shall not be less than 0.04 mm, as specified in "Creepage distances to avoid failure due to tracking".

4) The minimum clearances given for pollution degrees 2 and 3 are based on the reduced withstand characteristics of the associated creepage distance under humidity conditions (see EN 60664-1:2007).

5) For parts or circuits within equipment subject to impulse voltages according to EN 60664-1:2007, interpolation of values is allowed. However, standardization is achieved by using the preferred series of impulse voltage values in EN 60664-1:2007.

6) The dimensions for pollution degree 4 are as specified for pollution degree 3, except that the minimum clearance is 1.6 mm.

7) Inhomogeneous field – electrical field with primarily inconstant voltage gradients between the electrodes (non-uniform field).

Comment: The inhomogeneous field condition for point-plate electrodes is the unfavourable case in relation to the withstand voltage and is called condition A. A point electrode with a radius of 30 µm and a plate of 1 m x 1 m are regarded as this unfavourable case.

8) Homogeneous field – electrical field with primarily constant voltage gradients between the electrodes (uniform field), such as one between two spheres whose radii are greater than the distance between them.

Comment: The homogeneous field condition is called condition B.

Clearance and Creepage Distances

(in accordance with EN 60664-1:2007 and VDE 0110-1)

Insulation Material Groups

(in accordance with EN 60664-1:2007 and VDE 0110-1)

Clearance is the shortest distance in air between two conductive parts. Clearance shall be dimensioned to withstand the required impulse withstand voltage, in accordance with table "Clearances to withstand transient overvoltages". For equipment directly connected to the low-voltage mains, the required impulse withstand voltage is the rated impulse voltage, and can be found in the table titled "Rated impulse voltage for equipment...", according to application.

Larger clearances may be required due to mechanical influences such as vibration or applied forces.

Inasmuch as the values indicated in the aforementioned tables are applicable up to 2,000 meters above sea level, clearance for greater heights must be calculated using the multiplication factors in the "Altitude correction factors" table.

Creepage distance means the shortest distance along the surface of a solid insulating material between two conductive parts. The values of table "Creepage distances to avoid failure due to tracking" are based upon existing data and are suitable for the majority of applications.

The basis for the determination of a creepage distance is the long-term r.m.s. value of the voltage existing across it. This voltage is the working voltage, the rated insulation voltage or the rated voltage.

The influence of the degrees of pollution in the micro-environment on the dimensioning of creepage distances is taken into account in table "Creepage distances to avoid failure due to tracking". Also keep in mind that different micro-environment conditions can exist within the same equipment.

A creepage distance cannot be less than the associated clearance so that the shortest creepage distance possible is equal to the required clearance. However, there is no physical relationship, other than this dimensional limitation, between the minimum clearance in air and the minimum acceptable creepage distance.

For the purposes of the above-mentioned standards, materials are classified into four groups according to their CTI values. These values are determined in accordance with IEC 60112 using solution A. The groups are as follows:

Insulation materials group I
 $600 \leq \text{CTI}$

Insulation materials group II
 $400 \leq \text{CTI} < 600$

Insulation materials group IIIa
 $175 \leq \text{CTI} < 400$

Insulation materials group IIIb
 $100 \leq \text{CTI} < 175$

The proof tracking index (PTI) is used to verify the tracking characteristics of materials. A material may be included in one of these four groups on the basis that the PTI is not less than the lower value specified for the group.

Pollution Degrees 1 up to 4

(in accordance with EN 60664-1:2007 and VDE 0110-1)

The environment determines the effect of pollution on the insulation.

Small clearances can be bridged completely by solid particles, dust and water and therefore minimum clearances are specified, where pollution may be present in the micro-environment.

For the purpose of evaluating creepage distances and clearances, the following four degrees of pollution in the micro-environment are established:

Pollution degree 1

No pollution or only dry, non-conductive pollution occurs. The pollution has no influence.

Pollution degree 2

Only non-conductive pollution occurs except that occasionally a temporary conductivity caused by condensation is to be expected.

Pollution degree 3

Conductive pollution occurs or dry non-conductive pollution occurs which becomes conductive due to condensation which is to be expected.

Pollution degree 4

Continuous conductivity occurs due to conductive dust, rain or wet conditions.

The dimensions for creepage distance cannot be specified where permanently conductive pollution is present (Pollution degree 4). For temporarily conductive pollution (Pollution degree 3), the surface of the insulation may be designed to avoid a continuous path of conductive pollution, e.g. by means of ribs and grooves.

PTR's approval data are based on pollution degree 3.

Creepage distances to avoid failure due to tracking

Minimum creepage distances										
Voltage r.m.s. ¹⁾	Printed wiring material		Pollution degree							
			1		2			3		
	1	2	All material groups	All material groups except IIIb	Material group I	Material group II	Material group III	Material group I	Material group II	Material group III ²⁾
	V	mm	mm	mm	mm	mm	mm	mm	mm	mm
10	0.025	0.040	0.080	0.400	0.400	0.400	1.000	1.000	1.000	
12.5	0.025	0.040	0.090	0.420	0.420	0.420	1.050	1.050	1.050	
16	0.025	0.040	0.100	0.450	0.450	0.450	1.100	1.100	1.100	
20	0.025	0.040	0.110	0.480	0.480	0.480	1.200	1.200	1.200	
25	0.025	0.040	0.125	0.500	0.500	0.500	1.250	1.250	1.250	
32	0.025	0.040	0.14	0.53	0.53	0.53	1.30	1.30	1.30	
40	0.025	0.040	0.16	0.56	0.80	1.10	1.40	1.60	1.80	
50	0.025	0.040	0.18	0.60	0.85	1.20	1.50	1.70	1.90	
63	0.040	0.063	0.20	0.63	0.90	1.25	1.60	1.80	2.00	
80	0.063	0.100	0.22	0.67	0.95	1.30	1.70	1.90	2.10	
100	0.100	0.160	0.25	0.71	1.00	1.40	1.80	2.00	2.20	
125	0.160	0.250	0.28	0.75	1.05	1.50	1.90	2.10	2.40	
160	0.250	0.400	0.32	0.80	1.10	1.60	2.00	2.20	2.50	
200	0.400	0.630	0.42	1.00	1.40	2.00	2.50	2.80	3.20	
250	0.560	1.000	0.56	1.25	1.80	2.50	3.20	3.60	4.00	
320	0.75	1.60	0.75	1.60	2.20	3.20	4.00	4.50	5.00	
400	1.0	2.0	1.0	2.0	2.8	4.0	5.0	5.6	6.3	
500	1.3	2.5	1.3	2.5	3.6	5.0	6.3	7.1	8.0 (7.9) ³⁾	
630	1.8	3.2	1.8	3.2	4.5	6.3	8.0 (7.9) ³⁾	9.0 (8.4) ³⁾	10.0 (9.0) ³⁾	
800	2.4	4.0	2.4	4.0	5.6	8.0	10.0 (9.0) ³⁾	11.0 (9.6) ³⁾	12.5 (10.2) ³⁾	
1000	3.2	5.0	3.2	5.0	7.1	10.0	12.5 (10.2) ³⁾	14.0 (11.2) ³⁾	16.0 (12.8) ³⁾	
1250			4.2	6.3	9.0	12.5	16.0 (12.8) ³⁾	18.0 (14.4) ³⁾	20.0 (16.0) ³⁾	
1600			5.6	8.0	11.0	16.0	20.0 (16.0) ³⁾	22.0 (17.6) ³⁾	25.0 (20.0) ³⁾	
2000			7.5	10.0	14.0	20.0	25.0 (20.0) ³⁾	28.0 (22.4) ³⁾	32.0 (25.6) ³⁾	
2500			10.0	12.5	18.0	25.0	32.0 (25.6) ³⁾	36.0 (28.8) ³⁾	40.0 (32.0) ³⁾	

1) This voltage is

- for functional insulation: the working voltage;
- for the basic and additional insulation of a power circuit that is fed directly from the electrical mains: the voltage selected from the table "Single-phase 2- or 3-wire AC or DC systems" or "Three-phase 3- or 4-wire AC systems" on the basis of the rated voltage of the equipment or the rated insulation voltage;
- for the basic and additional insulation of systems, equipment and internal power circuits that are not fed directly from the electrical mains: the highest effective value of the voltage that can occur in the system, equipment or internal power circuit when supplied with the rated voltage and in the event of the most unfavourable combination of operating conditions within the scope of the measured data.

2) Insulating material group IIIb is not recommended for use at above 630 V in the event of pollution level 3.

3) The values given in brackets can be used to reduce the creepage distances if a rib is used.

Comment: The high precision of the creepage distances given in the table does not mean that the measuring precision need be of the same order of accuracy.

Single-phase three or two-wire AC or DC systems

Nominal voltage of the supply system ¹⁾	Voltages rationalized for Table on page 223	
	For insulation line-to-line ¹⁾	For insulation line-to-earth ¹⁾
	All systems V	Three-wire systems mid-point earthed V
V	V	V
12.5	12.5	
24 25	25	
30	32	
42 48 50**	50	
60	63	
30-60	63	32
100**	100	
110 120	125	
150**	160	
200	200	
100-200	200	100
220	250	
110-220 120-240	250	125
300**	320	
220-440	500	250
600**	630	
480-960	1000	500
1000**	1000	

1) Line-to-earth insulation level for unearthed or impedance-earthed systems equals that for line-to-line because the operating voltage to earth of any line can, in practice, approach full line-to-line voltage. This is because the actual voltage to earth is determined by the insulation resistance and capacitive reactance of each line to earth; consequently, low (but acceptable) insulation resistance of one line can in effect earth it and raise the other two to full line-to-line voltage to earth.

* For relationship to rated voltage see EN 60664-1:2007.

** These values correspond to the values given in Table "Creepage distances to avoid failure due to tracking".

Three-phase four or three-wire AC systems

Nominal voltage of the supply system ¹⁾	Voltages rationalized for Table on page 223		
	For insulation line-to-line	For insulation line-to-earth	
	All systems	Three-phase four-wire systems neutral-earthed ²⁾	Three-phase three-wire systems un-earthed ¹⁾ or corner-earthed
V	V	V	V
60	63	32	63
110 120 127	125	80	125
150**	160	-	160
200	200		200
208	200	125	200
220 230 240	250	160	250
300**	320	-	320
380 400 415	400	250	400
440	500	250	500
480 500	500	320	500
575	630	400	630
600**	630	-	630
660 690	630	400	630
720 830	800	500	800
960	1000	630	1000
1000**	1000	-	1000

1) Line-to-earth insulation level for unearthed or impedance-earthed systems equals that for line-to-line because the operating voltage to earth of any line can, in practice, approach full line-to-line voltage. This is because the actual voltage to earth is determined by the insulation resistance and capacitive reactance of each line to earth; consequently, low (but acceptable) insulation resistance of one line can in effect earth it and raise the other two to full line-to-line voltage to earth.

2) For equipment for use on both three-phase four-wire and three-phase three-wire supplies, earthed and unearthed, use the values for three-wire systems only.

* For relationship to rated voltage see EN 60664-1:2007.

** These values correspond to the values given in Table "Creepage distances to avoid failure due to tracking".

Rated wire sizes and connectable wire sizes

Specific wire sizes are approved for terminal blocks in relation to their current-carrying capacity – the higher the approved rated current, the higher the maximum permissible rated wire size. Testing institutes only accept “unprepared stripped wires” for terminal block approval purposes. If necessary, stranded wires can first be drilled for easier insertion into the terminal block.

Approval can be granted for the use of stranded wires with ferrules in connection with the approval of the relevant terminal devices. The rated values for each terminal block are indicated in the “Ratings” table of the relevant PTR product page. The “Wire sizes” table lists the permitted wire sizes, including when stranded wires with ferrules are used.

Conversion Table - American Wire Gauge (AWG) to mm²

AWG		mm ²				
AWG	Wire Diameter [mm]		Wire Diameter [mm]			Wire Size [mm ²]
	solid	stranded	solid	stranded	flexible	
30	-	-	0.25	-	0.36	0.05
28	-	-	0.32	-	0.38	0.08
26	-	-	0.40	-	0.48	0.14
24	0.54	0.64	0.51	0.53	0.61	0.20
22	0.68	0.80	0.63	0.66	0.80	0.34
20	0.85	1.02	0.90	1.10	1.10	0.50
18	1.07	1.28	1.00	1.20	1.30	0.75
(17)	-	-	1.20	1.40	1.50	1.00
16	1.35	1.60	-	-	-	(1.30)
(15)	-	-	1.50	1.70	1.80	1.50
14	1.71	2.08	-	-	-	(2.10)
(13)	-	-	1.90	2.20	2.30	2.50
12	2.15	2.70	-	-	-	(3.30)
(11)	-	-	2.40	2.70	2.90	4.00
10	2.72	3.36	-	-	-	(5.30)
(9)	-	-	2.90	3.30	3.90	6.00

Metallic materials

PTR terminal blocks and multi connector systems are made using only high quality metals. The use of various copper alloys, as well as bronze, stainless steel and specially surface-treated steel elements guarantees reliable contacts and minimizes corrosion.

Surface coatings

Surface coatings on various metallic materials prevent corrosion and wear, and optimize conductivity. The surface coatings used by PTR comply with the EU's RoHS and WEEE directives.

Tinning

All of our copper electrical contacts are tinned as a matter of course. The tin surface of solder contacts creates an excellent bond with standard solder material.

A protective nickel barrier layer is applied prior to tinning to avoid any solderability loss by diffusion of the base material in the tin coating.

Gold plating

Gold's excellent electrical properties make it an ideal surface coating for multi connector systems that are used for low current and low voltage applications. Our gold plating thicknesses are 0.6-0.8 μm . Thinner or thicker gold plating is available by special order.



Current-carrying capacity

Products with flanges

Current-carrying capacity indicates whether an electromechanical component such as a PTR terminal block or multi connector system exhibits any functional anomalies or sustains any thermal damage under a specific rated current load and the relevant ambient temperature.

The component temperature should be measured as close as possible to the component that exhibits the highest temperature. It should also be considered that, when in operation, the terminal blocks or multi connector systems are affected by heat dissipation from nearby additional heat sources and/or heat conduction via the circuits.

The terminal block standard EN 60998-1 and the multi connector standard EN 61984 contain various definitions in accordance with the upper temperature limit of insulation materials, which for PTR products is 105 °C.

For multi connector systems PTR uses in this context derating curves (in accordance with EN 60512-5-2) to show on a basis of the maximum number of poles for the various wire sizes the performance of the current in correlation to the ambient temperature. The allowable operating range is determined using a reduction factor of 0.8 in respect to the value of the current in the basic curve.

High-vibration applications call for additional measures to prevent terminal blocks from coming loose from pin strips. Many PTR multi connector systems integrate flanges, whereby screws are mounted on both sides of the terminal block and screw sockets are mounted on both sides of the pin strip. Screwing these two elements together after the terminal block is inserted in the pin strip guarantees that the terminal block will remain in place.

max. torque = 30 Ncm



Tightening torques for terminal screws

Terminal bridging

EN 60999-1 defines tightening torques for electrical fastening materials which ensure that the wiring of electrical terminals is safe.

The PTR terminal blocks and multi connector systems of course completely fulfil this demands.

PTR realizes terminal bridging in two different ways. External bridging is realized via the non-insulated (BR) or insulated (BRI) bridging elements that are used as accessories for various types of terminal blocks and that are simply inserted into the wire entry, where they are fastened in place by a screw or spring.

We recommend the AK350-BR or AK700-BR series for the realization of a potential across multiple poles. These two products integrate an internal conductive metal element that passes all the way through, which also allows for a wire connection in the clamp area.



Coding

With multi connector systems, plugging a terminal block into the wrong pin strip will immediately result in a malfunction or even in destruction of the entire circuit board. This is why PTR has a very wide range of coding solutions for many of its multi connector systems. The “-CP” coding pin’s coding uses holes in the circuit board, and when they are correctly inserted, the terminal block coding pins fit into these holes.

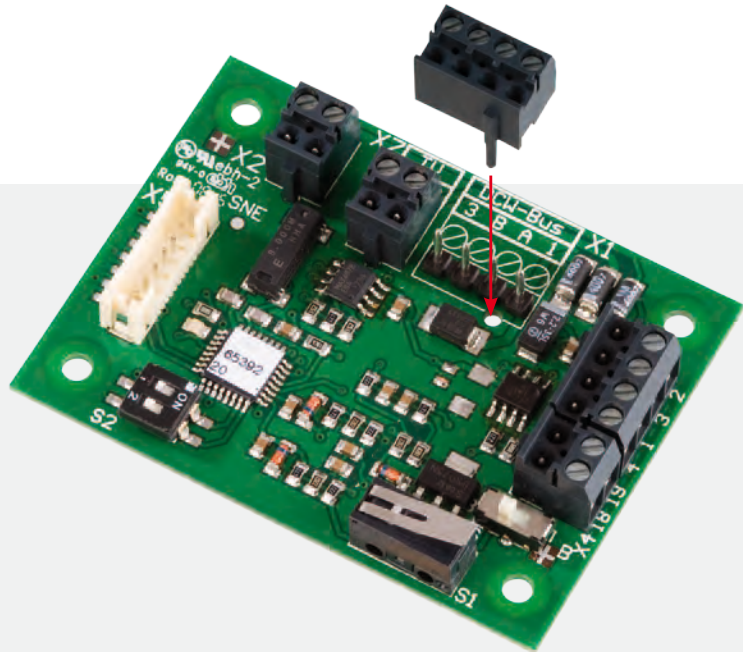


Figure 1

Protection against incorrect plugging is possible in two ways using coding stars (CS accessory):

- ▶ if both connector parts – terminal block and pin strip – are coded, a coded pole in the terminal block must mate with an uncoded pole on the pin strip so that the terminal can be inserted **(see fig. 2)**
- ▶ if a pole on the pin strip is coded, it must fit into a terminal block pole whose coding nose has been removed so that the terminal can be connected **(see fig. 3)**.

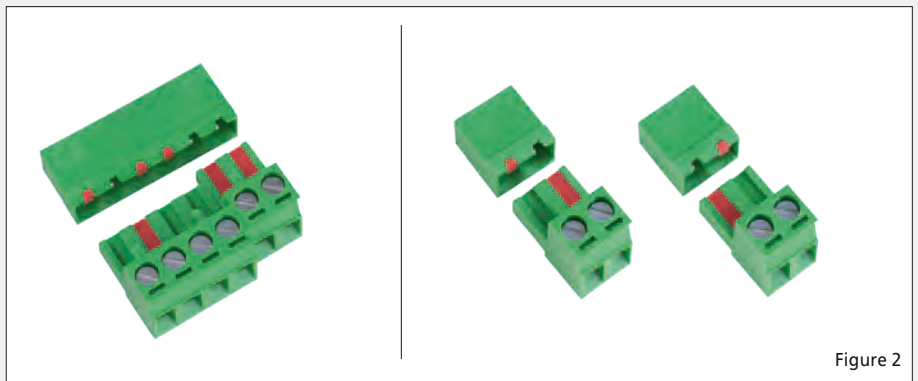


Figure 2

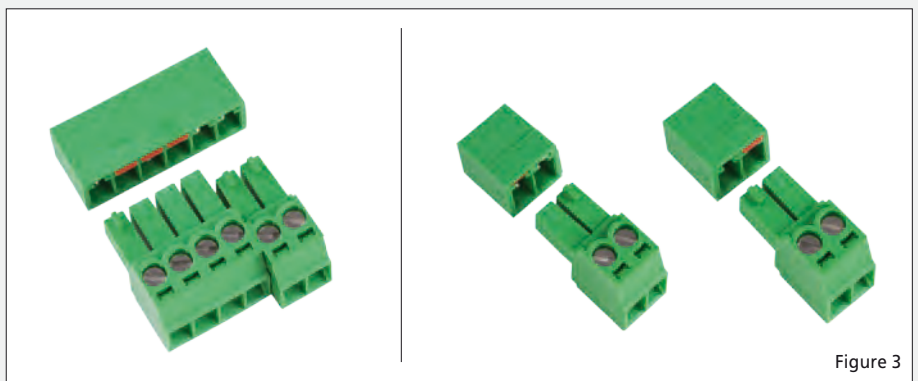


Figure 3

Tension Plates

Tension plates make it easier to unplug terminal blocks from pin strips. They comprise the contact face and mounting surface for connected wires and help to reduce mechanical stress exerted on clamping points resulting from long wires etc.



Integrated test jacks

Many PTR products incorporate a test jack, which allows for (a) convenient realization of measurements for maintenance or troubleshooting purposes, without the need to remove wiring; and (b) continuous monitoring of process-related values.

Depending on the size of the test hole, readings can be taken using a PTR test probe or with a conventional meter.



Order number index

Order number index Page

50100.0121	22	50350.0001.....	56	50750.0210.....	63
50100.0150.....	25	50350.0005.....	56	50770.0210.....	64
50100.0190.....	39	50350.0021.....	73	50790.0201.....	65
50100.0240.....	42	50350.0025.....	73	50793.0201.....	66
50100.2121	24	50350.0045	57	50840.0201.....	67
50100.2150.....	27	50350.0201.....	58	50841.0201.....	71
50100.2190.....	41	50350.0205.....	58	50950.0001	128
50100.2240.....	44	50350.0221.....	74	50950.0009	129
50104.0070.....	28	50350.0225.....	74	50950.0021.....	128
50110.0070	36	50360.0005	68	50950.0029	129
50110.0100	37	50360.0207.....	69	50950.2001	130
50114.0070	38	50370.0005.....	59	50950.2009	131
50120.0110.....	23	50500.0121	29	50950.2021.....	130
50120.0130	26	50500.0134.....	29	50950.2029.....	131
50120.0170	47	50500.0171	31	50950.5001.....	186
50120.01501	40	50500.0184.....	31	50950.5009	187
50130.0001.....	117	50500.0211	45	50950.5011	184
50130.0021	120	50500.0224.....	45	50950.5019.....	185
50130.2001.....	118	50500.0241	47	50950.5019.....	189
50130.2021	121	50500.0251	47	50950.5021.....	186
50130.2051	118	50500.3121	30	50950.5029.....	187
50130.5001	170	50500.3171	32	50950.5031.....	184
50130.5021	209	50500.3211	46	50950.5039.....	185
50130.5031	171	50500.3241	48	50950.5039.....	189
50130.5051	170	50550.0121	20	50950.5101	179
50130.5061	210	50550.0171	21	50950.5109.....	180
50130.5071	209	50550.0211	34	50950.5111	177
50132.5001	172	50550.0240.....	35	50950.5119	178
50132.5021	211	50590.0121	33	50950.5121	179
50132.5031	173	50601.0001.....	50	50950.5129.....	180
50132.5051	212	50601.0021	50	50950.5131	177
50133.0001	119	50602.0021.....	51	50950.5139.....	178
50133.5001	174	50692.0021.....	49	50950.6001	188
50140.5001.....	175	50700.0045	61	50950.6021.....	188
50140.5101	176	50700.0201.....	60	50950.6101	181
50250.0001.....	52	50700.0213	60	50950.6109.....	182
50250.0021.....	72	50700.0261	62	50950.6121	181
50300.0041	53	50700.0274	62	50950.6129.....	182
50300.0141	53	50710.0201	70	50950.7021.....	138
50340.0061	54	50710.0213	70	50950.7022.....	139
50340.0071.....	55	50750.0201	63	50950.7028.....	133

50950..7041	140	51550..2001	123	53011..0021	107
50950..9021	190	51550..2025	123	53100..0001	100
50950..9121	183	51550..5001	161	53101..0021	101
50955..0001	132	51550..5025	161	53191..0001	95
50955..0021	132	51550..5101	157	53191..0321	96
50955..5061	191	51550..5125	157	53191..1001	96
50955..5071	192	51550..5332	162	53191..1321	95
50960..0021	141	51550..5342	158	53750..0201	104
50960..5021	206	51550..6001	163	53750..0203	102
50960..5031	205	51550..6025	163	53750..0210	104
50960..5121	204	51550..6101	159	53750..0213	102
50960..5131	203	51550..6125	159	53750..0241	107
50965..2021	142	51550..6332	164	53750..0251	107
50965..6021	208	51550..6342	160	53950..0001	152
50965..6121	207	51570..5021	166	54100..0001	89
50970..5021	196	51570..5121	165	54101..0001	90
50970..5031	194	51570..6021	168	54191..0001	81
50970..5121	195	51570..6121	167	54191..0051	82
50970..5131	193	51590..5121	169	54291..0001	85
50970..6021	198	51700..0001	124	54291..0051	86
50970..6121	197	51700..0021	124	54301..0421	91
50975..5001	200	51700..2001	125	54350..0001	145
50975..5101	199	51700..2021	125	54551..0401	146
50990..5121	202	51710..0001	126	54551..0421	146
50990..5131	201	51710..0021	126	54551..2401	147
51100..0001	134	51710..2001	127	54551..2421	147
51100..0021	134	51710..2021	127	54561..0021	148
51100..2001	135	52200..0001	75	54561..0401	148
51110..0001	136	52200..0021	77	54561..2021	149
51110..0021	136	52200..0041	79	54561..2401	149
51110..2001	137	52200..0051	76	54701..0421	87
51200..0021	143	52200..0071	78	54701..0422	88
51200..2021	144	52200..0091	80	54791..0421	83
51350..0001	115	53000..0001	97	54791..0422	84
51350..0121	116	53000..0041	108	54801..0301	92
51350..5001	153	53001..0001	98	54841..0361	93
51350..5010	155	53001..0021	99	54841..0371	94
51350..5031	154	53001..0041	109	54951..0401	150
51350..5101	156	53001..0061	110	54951..0421	150
51550..0001	122	53010..0001	105	54951..2401	151
51550..0025	122	53011..0001	106	54951..2421	151

Type index

Product designation	Page		
AK100/..DS-5.0-H-GREY	25	AK601/..-3.5-V-GREEN	50
AK100/..DS-5.0-H-GREY-BL	27	AK700/..-5.0-H-GREEN	62
AK100/..DS-5.0-V-GREY	22	AK700/..-5.0-V-GREEN	60
AK100/..DS-5.0-V-GREY-BL	24	AK700/..-5.0-V-GREEN-BR	61
AK100/..DS-10.0-H-GREY	42	AK710/..-7.5-V-GREEN	70
AK100/..DS-10.0-H-GREY-BL	44	AK750/..-5.0-V-GREEN	63
AK100/..DS-10.0-V-GREY	39	AK790/..-5.0-V-GREEN	65
AK100/..DS-10.0-V-GREY-BL	41	AK793/..-5.0-V-GREEN	66
AK104/..DS-5.0-V-GREY	28	AK950/..-5.0-GREEN	128
AK110/..DS-7.5-H-GREY	37	AK950/..-5.0-GREEN-HC	129
AK110/..DS-7.5-V-GREY	36	AK950/..F-5.0-GREEN	130
AK114/..DS-7.5-V-GREY	38	AK950/..F-5.0-GREEN-HC	131
AK130/..-5.0-GREY	117	AK955/..-5.0-GREEN	132
AK130/..-5.0-GREY-BL	118	AK1100/..-5.0-GREEN	134
AK130/..-10.0-GREY	120	AK1110/..-5.0-GREEN	136
AK130/..-10.0-GREY-BL	121	AK1350/..DS-3.5-GREY	115
AK133/..DSL-G-5.0-GREY	119	AK1350/..DS-3.5-GREY-CP	116
AK300/..-5.0-GREY	53	AK1550/..-3.5-GREEN	122
AK340/..-5.0-GREEN-OL	54	AK1550/..F-3.5-GREEN	123
AK340/..-5.0-GREEN-OR	55	AK2200/..-5.0-H-GREEN	76
AK350/..-5.0-H-GREEN	58	AK2200/..-5.0-V-GREEN	75
AK350/..-5.0-V-GREEN	56	AK2200/..-7.5-H-GREEN	78
AK350/..-5.0-V-GREEN-BR	57	AK2200/..-7.5-V-GREEN	77
AK350/..-10.0-H-GREEN	74	AK2200/..-10.0-H-GREEN	80
AK350/..-10.0-V-GREEN	73	AK2200/..-10.0-V-GREEN	79
AK360/..-7.5-H-GREEN	69	AK3000/..-5.0-PEBBLE GREY	97
AK360/..-7.5-V-GREEN	68	AK3000/..-10.0-PEBBLE GREY	108
AK370/..-5.0-V-GREEN	59	AK3001/..FD-5.0-PEBBLE GREY	99
AK500/..DS-5.0-H-GREY	31	AK3001/..FD-10.0-PEBBLE GREY	110
AK500/..DS-5.0-H-GREY-BL	32	AK3001/..KD-5.0-PEBBLE GREY	98
AK500/..DS-5.0-V-GREY	29	AK3001/..KD-10.0-PEBBLE GREY	109
AK500/..DS-5.0-V-GREY-BL	30	AK3010/..-7.5-PEBBLE GREY	105
AK500/..DS-10.0-H-GREY	47	AK3011/..FD-7.5-PEBBLE GREY	107
AK500/..DS-10.0-H-GREY-BL	48	AK3011/..KD-7.5-PEBBLE GREY	106
AK500/..DS-10.0-V-GREY	45	AK3100/..-5.0-PEBBLE GREY	100
AK500/..DS-10.0-V-GREY-BL	46	AK3101/..WD-5.0-PEBBLE GREY	101
AK550/..DS-3.5-H-GREY	21	AK3191/..-2.5-PEBBLE GREY	95
AK550/..DS-3.5-V-GREY	20	AK3191/..KD-2.5-PEBBLE GREY	96
AK550/..DS-7.0-H-GREY	35	AK3750/..-5.0-GREEN	102
AK550/..DS-7.0-V-GREY	34	AK3750/..-5.0-GREEN-PD10.0	103
AK590/..DS-5.0-GREY	33	AK3750/..VP-5.0-GREEN	104
		AK3950/..-5.0-GREEN	152
		AK4100/..-5.0-PEBBLE GREY	89
		AK4101/..KD-5.0-PEBBLE GREY	90
		AK4191/..KD-2.5-PEBBLE GREY	81
		AK4191/..KDVP-2.5-PEBBLE GREY	82
		AK4291/..KD-3.5-PEBBLE GREY	85
		AK4291/..KDVP-3.5-PEBBLE GREY	86
		AK4350/..G-3.5-GREEN	145
		AK4551/..FKD-3.5-BASALT GREY	147
		AK4551/..KD-3.5-BASALT GREY	146
		AK4561/..FKD-3.5-BASALT GREY	149
		AK4561/..KD-3.5-BASALT GREY	148
		AK4951/..FKD-5.0-BASALT GREY	151
		AK4951/..KD-5.0-BASALT GREY	150
		AKZ120/..DS-5.08-H-GREY	26
		AKZ120/..DS-5.08-V-GREY	23
		AKZ120/..DS-10.16-H-GREY	43
		AKZ120/..DS-10.16-V-GREY	40
		AKZ130/..-5.08-GREY-BL	118
		AKZ250/..-5.08-V-GREEN	52
		AKZ250/..-10.16-V-GREEN	72
		AKZ300/..-5.08-GREY	53
		AKZ350/..-5.08-H-GREEN	58
		AKZ350/..-5.08-V-GREEN	56
		AKZ350/..-10.16-H-GREEN	74
		AKZ350/..-10.16-V-GREEN	73
		AKZ500/..DS-5.08-H-GREY	31
		AKZ500/..DS-5.08-V-GREY	29
		AKZ500/..DS-10.16-H-GREY	47
		AKZ500/..DS-10.16-V-GREY	45
		AKZ602/..-3.81-V-GREEN	51
		AKZ692/..-2.54-V-GREEN	49
		AKZ700/..-5.08-H-GREEN	62
		AKZ700/..-5.08-V-GREEN	60
		AKZ710/..-7.62-V-GREEN	70
		AKZ750/..-5.08-V-GREEN	63
		AKZ770/..-5.08-V-GREEN	64
		AKZ840/..-6.35-V-GREEN	67
		AKZ841/..-9.52-V-GREEN	71
		AKZ950/..-5.08-GREEN	128
		AKZ950/..-5.08-GREEN-HC	129

AKZ950/..-5.08-GREEN-INV.....	133	STL130/..-5.0-V-BLACK-HT.....	171	STLZ950/..-5.08-V-GREEN-INV.....	183
AKZ950/..F-5.08-GREEN.....	130	STL130/..-10.0-V-BLACK.....	209	STLZ950/..F-5.08-H-GREEN.....	188
AKZ950/..F-5.08-GREEN-HC.....	131	STL130/..-10.0-V-BLACK-HT.....	210	STLZ950/..F-5.08-H-GREEN-HC.....	189
AKZ955/..-5.08-GREEN.....	132	STL132/..-5.0-V-BLACK.....	172	STLZ950/..F-5.08-V-GREEN.....	181
AKZ960/..-7.62-GREEN.....	141	STL132/..-5.0-V-BLACK-HT.....	173	STLZ950/..F-5.08-V-GREEN-HC.....	182
AKZ965/..F-7.62-GREEN.....	142	STL132/..-10.0-V-BLACK.....	211	STLZ950/..G-5.08-H-GREEN.....	186
AKZ1100/..-5.08-GREEN.....	134	STL132/..-10.0-V-BLACK-HT.....	212	STLZ950/..G-5.08-H-GREEN-HC.....	187
AKZ1100/..F-5.08-GREEN.....	135	STL133/..-5.0-V-BLACK.....	174	STLZ950/..G-5.08-V-GREEN.....	179
AKZ1110/..-5.08-GREEN.....	136	STL140/..-5.0-H-BLACK.....	175	STLZ950/..G-5.08-V-GREEN-HC.....	180
AKZ1110/..F-5.08-GREEN.....	137	STL140/..-5.0-H-BLACK-HT.....	176	STLZ960/..-7.62-H-GREEN.....	205
AKZ1200/..-5.08-GREEN.....	143	STL950/..-5.0-H-GREEN.....	184	STLZ960/..-7.62-V-GREEN.....	203
AKZ1200/..F-5.08-GREEN.....	144	STL950/..-5.0-H-GREEN-HC.....	185	STLZ960/..G-7.62-H-GREEN.....	206
AKZ1550/..-3.81-GREEN.....	122	STL950/..-5.0-V-GREEN.....	177	STLZ960/..G-7.62-V-GREEN.....	204
AKZ1550/..F-3.81-GREEN.....	123	STL950/..-5.0-V-GREEN-HC.....	178	STLZ965/..F-7.62-H-GREEN.....	208
AKZ1700/..-3.81-GREEN.....	124	STL950/..F-5.0-H-GREEN.....	188	STLZ965/..F-7.62-V-GREEN.....	207
AKZ1700/..F-3.81-GREEN.....	125	STL950/..F-5.0-H-GREEN-HC.....	189	STLZ970/..-5.08-H-GREEN.....	194
AKZ1710/..-3.81-GREEN.....	126	STL950/..F-5.0-V-GREEN.....	181	STLZ970/..-5.08-V-GREEN.....	193
AKZ1710/..F-3.81-GREEN.....	127	STL950/..F-5.0-V-GREEN-HC.....	182	STLZ970/..F-5.08-H-GREEN.....	198
AKZ3191/..-2.54-ORANGE.....	95	STL950/..G-5.0-H-GREEN.....	186	STLZ970/..F-5.08-V-GREEN.....	197
AKZ3191/..KD-2.54-ORANGE.....	96	STL950/..G-5.0-H-GREEN-HC.....	187	STLZ970/..G-5.08-H-GREEN.....	196
AKZ3750/..-5.08-GREEN.....	102	STL950/..G-5.0-V-GREEN.....	179	STLZ970/..G-5.08-V-GREEN.....	195
AKZ3750/..-5.08-GREEN-PD10.16.....	103	STL950/..G-5.0-V-GREEN-HC.....	180	STLZ990/..-5.08-GREEN.....	201
AKZ3750/..VP-5.08-GREEN.....	104	STL955/..-5.0-OL-GREEN.....	191	STLZ990/..G-5.08-GREEN.....	202
AKZ4301/..KD-5.08-BASALT GREY.....	91	STL955/..-5.0-OR-GREEN.....	192	STLZ1550/..F-3.81-H-GREEN.....	163
AKZ4551/..FKD-3.81-BASALT GREY.....	147	STL975/..G-5.0-H-GREEN.....	200	STLZ1550/..F-3.81-H-BLACK-HT.....	164
AKZ4551/..KD-3.81-BASALT GREY.....	146	STL975/..G-5.0-V-GREEN.....	199	STLZ1550/..F-3.81-V-GREEN.....	159
AKZ4561/..FKD-3.81-BASALT GREY.....	149	STL1350/..-3.5-H-BLACK.....	155	STLZ1550/..F-3.81-V-BLACK-HT.....	160
AKZ4561/..KD-3.81-BASALT GREY.....	148	STL1350/..-3.5-H-BLACK-HT.....	156	STLZ1550/..G-3.81-H-GREEN.....	161
AKZ4701/..KD-3.81-H-BASALT GREY.....	88	STL1350/..-3.5-V-BLACK.....	153	STLZ1550/..G-3.81-H-BLACK-HT.....	162
AKZ4701/..KD-3.81-V-BASALT GREY.....	87	STL1350/..-3.5-V-BLACK-HT.....	154	STLZ1550/..G-3.81-V-GREEN.....	157
AKZ4791/..KD-2.54-H-BASALT GREY.....	84	STL1550/..F-3.5-H-GREEN.....	163	STLZ1550/..G-3.81-V-BLACK-HT.....	158
AKZ4791/..KD-2.54-V-BASALT GREY.....	83	STL1550/..F-3.5-V-GREEN.....	159	STLZ1570/..F-3.81-H-GREEN.....	168
AKZ4801/..KD-6.35-V-BLACK-HT.....	92	STL1550/..G-3.5-H-GREEN.....	161	STLZ1570/..F-3.81-V-GREEN.....	167
AKZ4841/..KD-6.35-OL-BLACK-HT.....	93	STL1550/..G-3.5-V-GREEN.....	157	STLZ1570/..G-3.81-H-GREEN.....	166
AKZ4841/..KD-6.35-OR-BLACK-HT.....	94	STLZ130/..-5.08-V-BLACK.....	170	STLZ1570/..G-3.81-V-GREEN.....	165
AKZ4951/..FKD-5.08-BASALT GREY.....	151	STLZ130/..-10.16-V-BLACK.....	209	STLZ1590/..G-3.81-GREEN.....	169
AKZ4951/..KD-5.08-BASALT GREY.....	150	STLZ950/..-5.08-H-GREEN.....	184		
AKZS950/..F-5.08-GREEN.....	139	STLZ950/..-5.08-H-GREEN-HC.....	185		
AKZS950/..G-5.08-GREEN.....	138	STLZ950/..-5.08-H-GREEN-INV.....	190		
AKZS950/..GMB-5.08-GREEN.....	140	STLZ950/..-5.08-V-GREEN.....	177		
STL130/..-5.0-V-BLACK.....	170	STLZ950/..-5.08-V-GREEN-HC.....	178		

PTR worldwide

Overseas Representations for Terminal Blocks

Australia

Active Components (Aust) Pty Ltd.
Po Box 1351
Sydney, Parramatta, NSW 2124, Australia
Phone: 0061-2-9893-9400
Fax: 0061-2-9891-9322
sales@activecomponents.com
www.activecomponents.com

Austria

AVS Phoenix Mecano G.m.b.H.
BirostraÙe 17
A - 1232 Wien
Phone: 0043 1 6150 801
Fax: 0043 1 6150 801130
info@avs-phoenix.at
www.avs-phoenix.at

Belgium

PM Komponenten N.V.
Karrewegstraat 124
B - 9800 Deinze
Phone: 0032-92207050
Fax: 0032-92207250
info.pmb@phoenix-mecano.com
www.pmkomponenten.be

Brazil

Phoenix Mecano Comercial e Tecnica Ltda.
ALAMEDA CAIAPÓS,
755 - TAMBORÉ
BR-06460-110 BARUERI - SP
Phone: 0055 11 5643 4190
Fax: 0055 11 5641 0882
vendas@phoenix-mecano.com.br
www.phoenix-mecano.com.br

Bulgaria

Comet Electronics
Mr. Ognyan Stoyanov
16, Tsar Samuil Str.
Sofia 1000, Bulgaria
Phone: 00359 2 915 58 00
Fax: 00359 2 954 03 84
office@comet.bg
www.comet.bg

PM Consulting Ltd.
Mr. Georgi Georgiev
15 Kiril i Metodii Str.
Sofia 1202, Bulgaria
Phone: 00359 2 983 5712
Fax: 00359 2 983 5712
office@pmcbg.eu
www.pmcgbg.eu

Croatia

Piletic d.o.o.
Kaptolska 39
10 000 Zagreb Croatia
Phone: 00385 1 3014 405
Phone: 00385 1 3638 318
Fax: 00385 1 3639 399
piletic@zg.htnet.hr
piletic@piletic.hr
piletic@zg.t-com.hr
www.piletic.hr

Czech Republic

GM ELECTRONIC SPOL. s.r.o.
Kratochvilova 1748/4
CZ - 16 900 Praha 6
Phone: 00420 226 535 171
Fax: 00420 226 535 209
praha@gme.cz
www.gme.cz

Technik Partner s.r.o.
Brandýská 103/30
CZ - 181 00 Praha 8
Phone: 00420 283 851 781
Fax: 00420 283 852 775
info@technikpartner.cz
www.technikpartner.cz

Denmark

Hans Folsgaard A/S
Theilgaards Torv 1
DK - 4600 Koge
Phone: 0045 43 208600
Fax: 0045 43 96 8855
hf@hf.net
www.hf.net

Finland

T & G Sarkkinen OY
Martinkuja 2
FIN - 02270 Espoo
Phone: 00358 20 793 9750
Fax: 00358-20 793 9769
sales@tgsarkkinen.fi
www.tgsarkkinen.fi

France

Phoenix Mecano S.a.r.L.
76, rue du Bois-Galon B.P. 3
F-94121 Fontenay-sous-Bois Cedex
Phone: 0033 1 53 99 50 59
Fax: 0033 1 53 99 50 79
info.ptr@phoenix-mecano.com
www.phoenixmecano.fr

Great Britain

Apem Components Ltd.
Drakes Drive
Long Crendon
Bucks.
GB - HP18 9BA
Phone: 0044 1844202400
Fax: 0044 1844202500
sales@apem.co.uk
www.apem.co.uk

Greece

G. Parpanelas S. A. - V.O.P. Cables
Protomagias str.
GR - 57009 Kalohori
Thessaloniki
Phone: 0030 2310 754919
Fax: 0030 2310 752411
info@parpanelas.gr
www.parpnelas.gr

Hungary

Phoenix Mecano Kecskemet Kft.
István király krt.24.
H-6000 Kecskemet
Phone: 0036 1 260 7730
Fax: 0036 1 261 3464
info@phoenix-mecano.hu
www.phoenix-mecano.hu

India

Madhu Subtronic Components Pvt. Ltd.
1st Floor, Krishna Building,
Shamrao Vitthal Marg,
Off Lamington Road
Grand Road(E)
Mumbai - 400 007, INDIA
Phone 0022 2386 4484 / 2387 6707
Fax 0022 2387 6729
e-mail: sales@mscpl.com
www.mscpl.com

Italy

FAST Elettronica Italiana S.p.A.
Via Rovetta, 35
I - 20127 Milano
Phone: 0039 02 2610141
Fax: 0039 02 2822287
sales@fastelettronica.com
www.fastelettronica.com

Netherlands

Elincom electronics B. V.
Klaverbaan 101-103
NL-2908 KD Capelle aan den IJssel
Phone: 0031 10 26 40 270
Fax: 0031 10 26 40 275
info@elincom.nl
www.elincom.nl

New Zealand

Active Components (NZ) Ltd
P.O. Box 100-544 NSMC, Auckland 1310
8 Target Court, Glenfield
Auckland, New Zealand
Phone: 0064 9 443 9500
Fax: 0064 9 443 9502
sales@activecomponents.com
www.activecomponents.com

Norway

ELFA ELEKTRONIKK AS
Sandakerveien 76 F,
N - 0484 Oslo, Norwegen
Phone: 0047 80081135
Fax: 0047 80081136
Phone: 0047 23124900
Fax: 0047 23124940
norge@elfa.se
karin.baarnaas@elfa.se
www.elfa.se

**People's Republic of China**

Mecano Components (Shanghai) Co., Ltd.
No. 1001, JiaQian Road
Nanxiang Hi-tech Park, JiaDing District
201802 Shanghai, China PRC
Phone: 0086 21 69176590
Fax: 0086 21 69176532
info@mecano.com.cn
www.mecano.com.cn

Poland

Jacenko Import Export
ul. Iganska 11
PL - 04-087 Warszawa
Phone: 0048 22 8137493
Fax: 0048 22 8137467
jacenko@jacenko.pl
www.jacenko.pl

Elhurt sp z o.o.
Galaktyczna 35 A
PL - 80-299 Gdansk
Phone: 0048 585540800
Fax: 0048 585540806
elhurt@elhurt.com.pl
www.elhurt.com.pl

Romania

ECAS ELECTRO SRL
Str. Cornelia nr.7
Sector 4
RO - 040181 Bucuresti, Romania
Phone: 0040 21 204 81 00
Fax: 0040 21 204 81 30
birou.vanzari@ecas.ro
www.ecas.ro

Russia

ADK Elektronik
Kutuzov prospect, 36, p.3
RUS-125284 Moscow
Phone/Fax: +7(495) 276-11-71
sale@adkelektronik.ru
www.adkelektronik.ru

Serbia

Comet Electronics d.o.o.
Mr. Zoran Petrovic
17, Arsenija Carnojevica Blvd.
11070 New Belgrad
Phone: 00381 11 213 61 45
Fax: 00381 11 311 39 42
office@comet.co.yu
www.comet.co.yu

Singapore

Phoenix Mecano S.E. Asia Pte Ltd
53 Ubi Ave 3, #04-01
Colourscan Building
Singapore 408863
Phone: 0065 6749 1611
Fax: 0065 6749 6766 / 6749 6749
pmsea@pmecano.com.sg
www.phoenixmecano.com.sg

Slowakei

GM ELECTRONIC SPOL. s.r.o.
Mlynské nivy 58
SK - 821 05 Bratislava
Tel.: 00421 2 20 633 408
bratislava@gme.cz
www.gme.sk

South Africa

WILTRON Agencies CC
P.O. Box 14 33
Hartbeespoort 0216, South Africa
Phone: 0027 12 244 0222 / 3
Fax: 0027 12 244 0224
wiltron@global.co.za
www.wiltron-agencies.co.za

South Korea

Phoenix Mecano Korea Co., Ltd
2020 Ho, Daelim Acrotel, C-Dong,
Dogok-dong, 467-6,
Kangnam-Gu, Seoul, Korea
Phone: 0082-2-2637-6922
Fax: 0082-2-2637-6925
info@pmecano.co.kr
www.pmecano.co.kr

Phoenix Mecano Korea Co., Ltd
304, Kyungmu Building, 675-5,
Jeonpo-Dong, Jin-Gu, Pusan, Korea
Phone: 0082-51-517-6924
Fax: 0082-51-517-6925
info@pmecano.co.kr
www.pmecano.co.kr

Spain

Phoenix Mecano Espana S.A.
Pol. El Olivar, Naves 15-16
Carretera de Logroño, km. 247
E - 50011 Zaragoza
Phone: 0034 976 786 080
Fax: 0034 976 787 088
info@phoenix-mecano.es
www.phoenix-mecano.es

Sweden

Bonab Elektronik AB
Aröds Industriväg 76
S-42243 Hisings Backa
Phone: 0046 31 724 24 24
Fax: 0046 31 724 24 31
ptr@bonab.se
www.bonab.se

Switzerland

Phoenix Mecano Komponenten AG
Hofwisenstr. 6,
CH - 8260 Stein am Rhein
Phone: 0041 52 742 7500
Fax: 0041 52 742 7590
info@phoenix-mecano.ch
www.phoenix-mecano.ch

Taiwan

Phoenix Mecano S.E. Asia Pte Ltd - Taiwan Branch
Taipei World Trade Center Exhibition
Hall Room 4E-12, No. 5,
Hsin-yi Road,
Sec. 5, Taipei 110, Taiwan
Phone: 00886 2 2725 2627
Fax: 00886 2 2725 2575
pmtwn@pmecano.com.tw

Thailand

Phoenix Mecano Thailand Representative Office
B.B. Building, 54 Sukhumvit 21 (Asoke) Road,
8th Floor, Unit 3811, Klong Toey Nua, Wattana,
Bangkok 10110, Thailand
Phone: 0066 2 261 4175 / 261 4176
Fax: 0066 2 261 4177
pmthai@pmecano.com.sg

Tunisia, Morocco, Egypt, Algeria

EP-Technology Group
29-av. Ahmed Tilili
Zi Borij Cedria 2055
Bir El Bey, Tunisia
Phone: 00216 79 41 28 89
Fax: 00216 79 41 29 66
info@ep-technologie.com
www.ep-technologie.com

Turkey

ENTEK TEKNİK
Cevizli Mahallesi Tansel Cad. No: 18
Maltepe
TR - 34846 Istanbul
Phone: 0090/216 - 4598660
Fax: 0090/216 - 4577732
info@entektechnik.com
www.entektechnik.com

USA

O.S.T.
On-Shore Technology, Inc.
1917 West 3rd Street
USA - Tempe/Arizona 85281
Phone: 001 480 921 30 00
Fax: 001 480 968 4444
info@on-shore.com
www.on-shore.com

Electro-Kinetics Inc.
749 Creel Drive
USA - Wood Dale/IL-60191
Phone: 001 630 595 6700
Fax: 001 630595 7622
info@e-kinetics.com
www.e-kinetics.com

PTR Germany

Distributors in Germany – Terminal Blocks



Werner GmbH

Alte Straße 2
01731 Kreischa bei Dresden
Phone: 035206-245-17
Fax: 035206-245-33
linke@werner-electronic.de
www.werner-electronic.de



Werner GmbH NL Alfred Knitter Berlin

Colditzstraße 28
12099 Berlin
Phone: 030-756806-14
Fax: 030-756806-44
wolfgang.kosian@werner-electronic.de
www.werner-electronic.de



Heinrich J. Merck e.K.

Hasenhöhe 40b
22587 Hamburg
Phone: 040-870863-0
Fax: 040-870863-33
kontakt@hj-merck.de
www.hj-merck.de



H. Biedermann GmbH Ingenieurbüro

Dr.-Albert-David-Str. 21
30938 Burgwedel
Phone: 05139-80095
Fax: 05139-4542
info@h-biedermann.de
www.h-biedermann.de



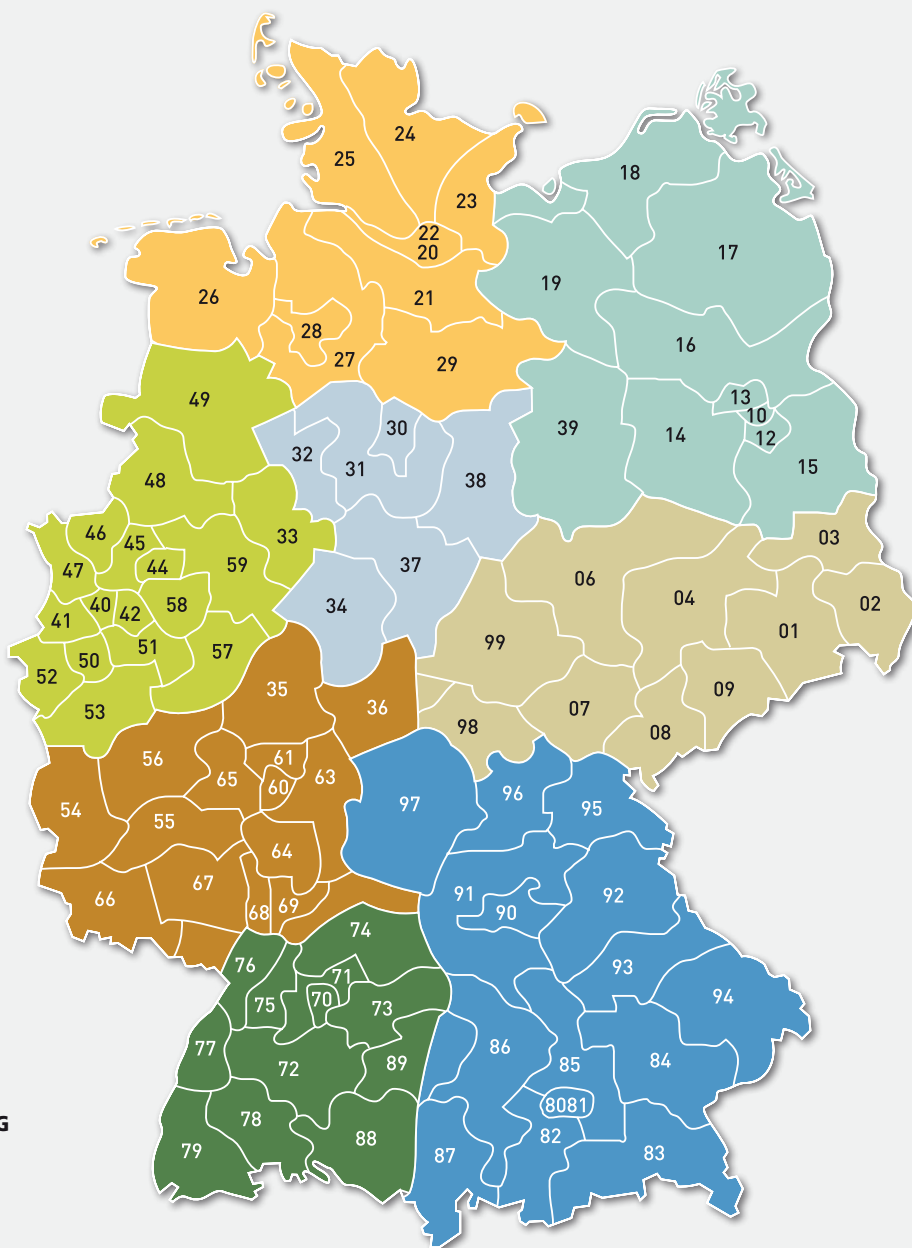
PTR Messtechnik GmbH & Co. KG Vertriebsbüro Werne

Reimund Beumer
Gewerbehof 38
59368 Werne
Mobil No.: 0160 97 22 56 67
Fax: 02389-798888
rbeumer@ptr.eu



PTR Messtechnik GmbH & Co. KG Vertriebsbüro Frankfurt

Jürgen Bierent
Asterweg 6a
63322 Rödermark
Phone: 06074-94803
Fax: 06074-94833
jbierent@ptr.eu



Herbert Altenberger OHG Industriervertretungen

Römerweg 7
76456 Kuppenheim
Phone: 07222-94540
Fax: 07222-945454
info@altenberger.de
www.altenberger.de



IS COMPONENTS Sichinger Vertriebs GmbH

Boschstr. 8
82178 Puchheim
Phone: 089-8649100
Fax: 089-86491022
info@is-components.de
www.is-components.de

Distributors with stock in Germany

AL-Elektronik Distribution GmbH

Christian-Pommer-Straße 36
38112 Braunschweig
Phone: +49 (0) 531 25669-0
Fax: +49 (0) 531 25669-28
sales@al-elektronik.de
www.al-elektronik.de

Conrad Electronic SE

Klaus-Conrad-Straße 2
92533 Wernberg-Köblitz
Phone: +49 (0) 9604 408988
Fax: +49 (0) 9604 408936
businessbetreuung@conrad.biz
www.business.conrad.biz

Distrelec Schuricht GmbH

Lise-Meitner-Straße 4
28359 Bremen
Phone: +49 (0) 180 5223435
Fax: +49 (0) 180 5223436
scc@distrelec.de
www.distrelec.de

EVE GmbH

Hollefeldstr.16
48282 Emsdetten
Phone: +49 (0) 2572 9351-0
Fax: +49 (0) 2572 9351-24
info@eve.de
www.eve.de

Schukat Electronic Vertriebs GmbH

Daimlerstr. 26
40789 Monheim am Rhein
Phone: +49 (0) 2173 950-5
Fax: +49 (0) 2173 950-999
info@schukat.com
www.schukat.com

Imprint:

PTR Messtechnik GmbH & Co. KG · Gewerbehof 38 · 59368 Werne · Phone: 02389-79880 · Fax: 02389-798888 · info@ptr.eu · www.ptr.eu

Design: RAFFELT MEDIENDESIGN · **Databased-Publishing:** TUAREG design+communication · **Photos:** Tim Luhmann, iStockphoto.com · **Print:** Druckerei Bruns

Copyright: PTR GmbH & Co. KG, 12/2012. This catalogue replaces all earlier editions. We reserve the right to make any changes which are in the interest of technical improvement.



A Phoenix Mecano Company

PTR Messtechnik GmbH & Co. KG · Gewerbehof 38 · 59368 Werne · Germany
Phone: +49 (0)2389/7988-0 · Fax: +49 (0)2389/798888
e-mail: info@ptr.eu · www.ptr.eu

Represented worldwide in more than 50 countries:

